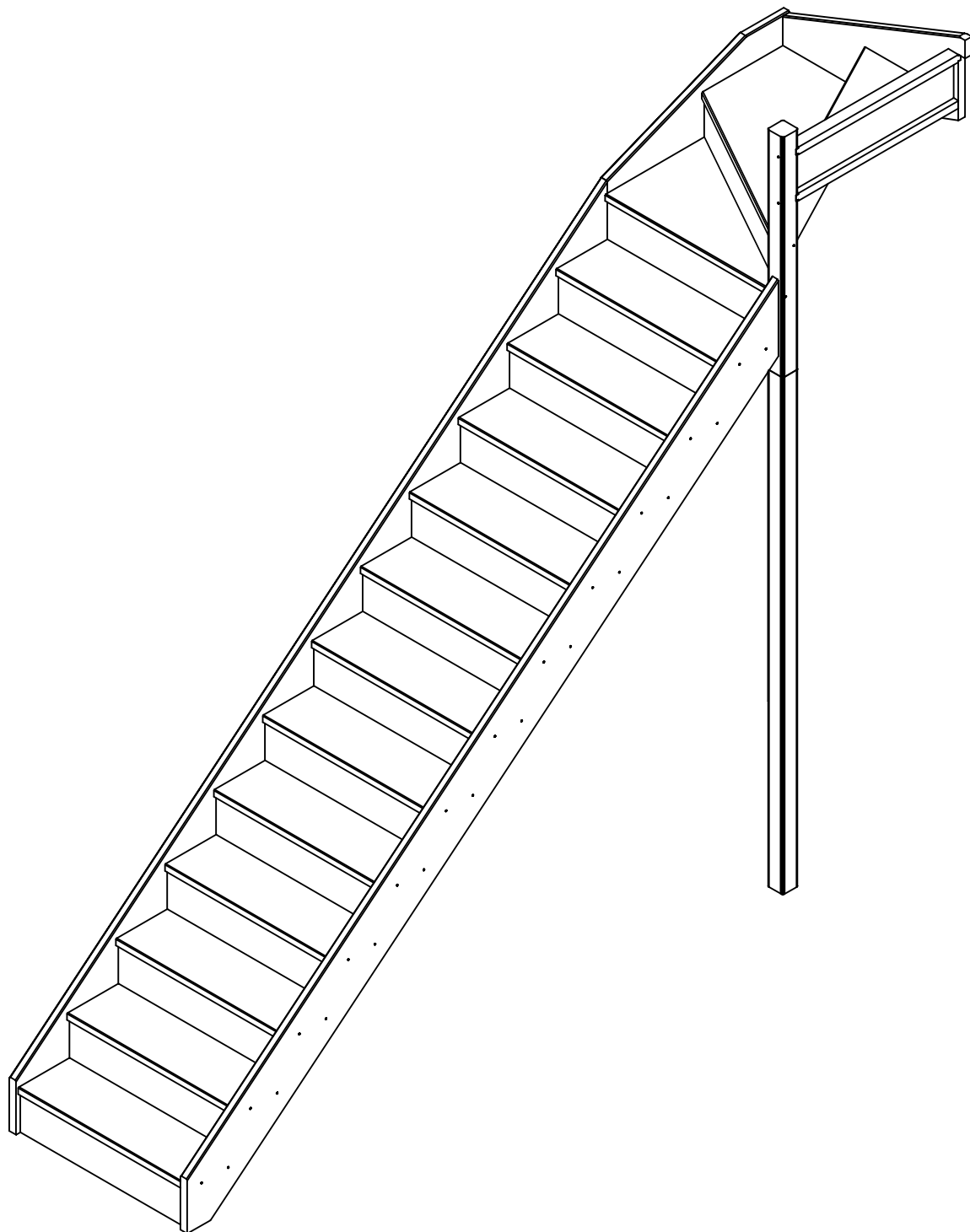


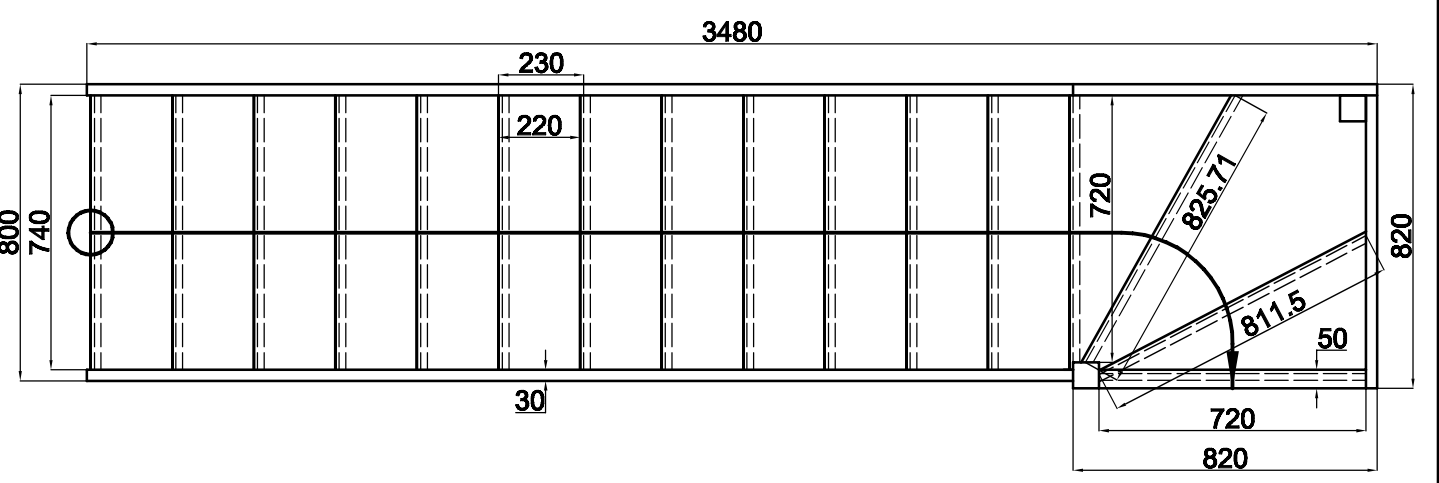
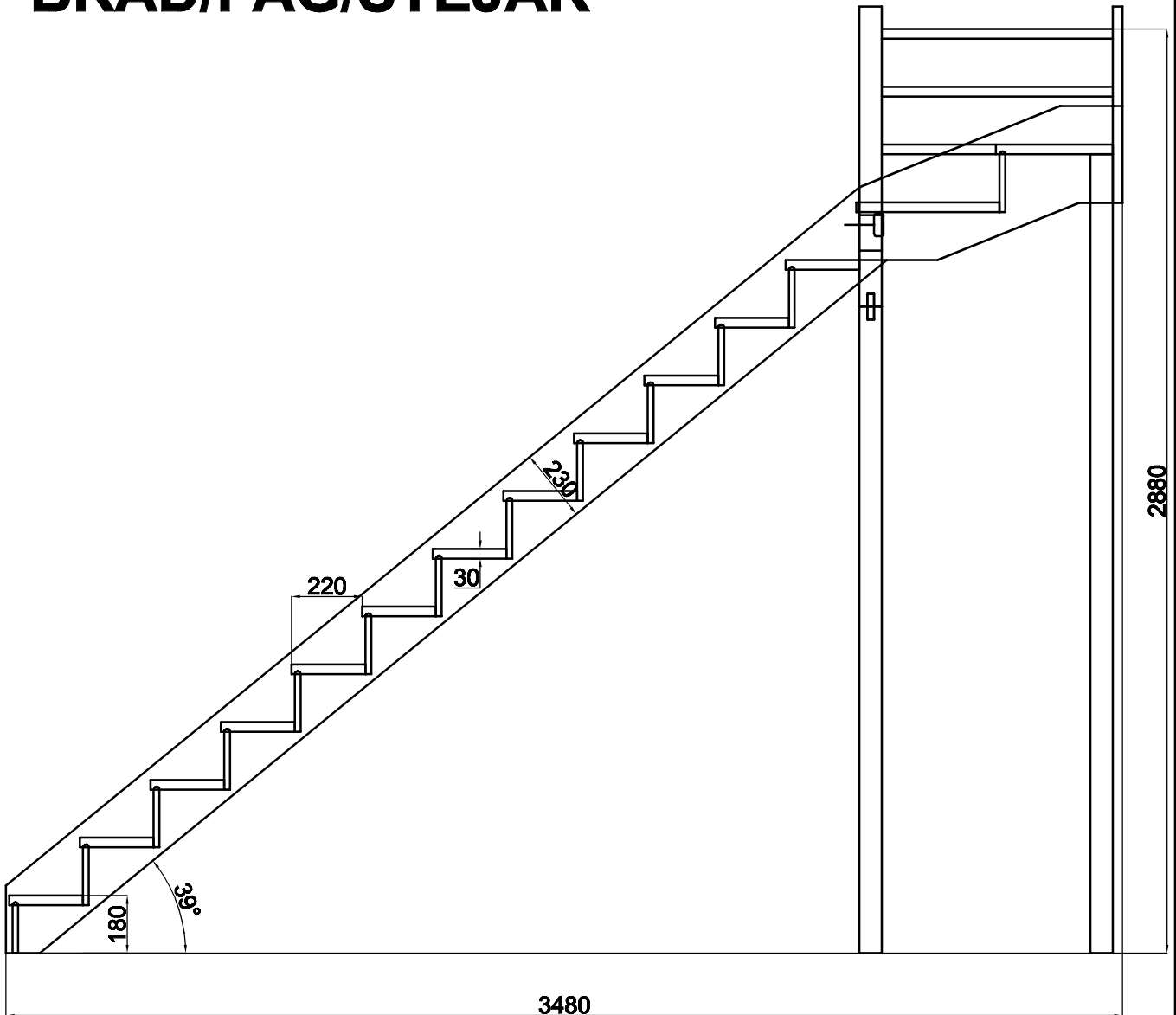
OLEA
SCARA QT SUS
DREAPTA



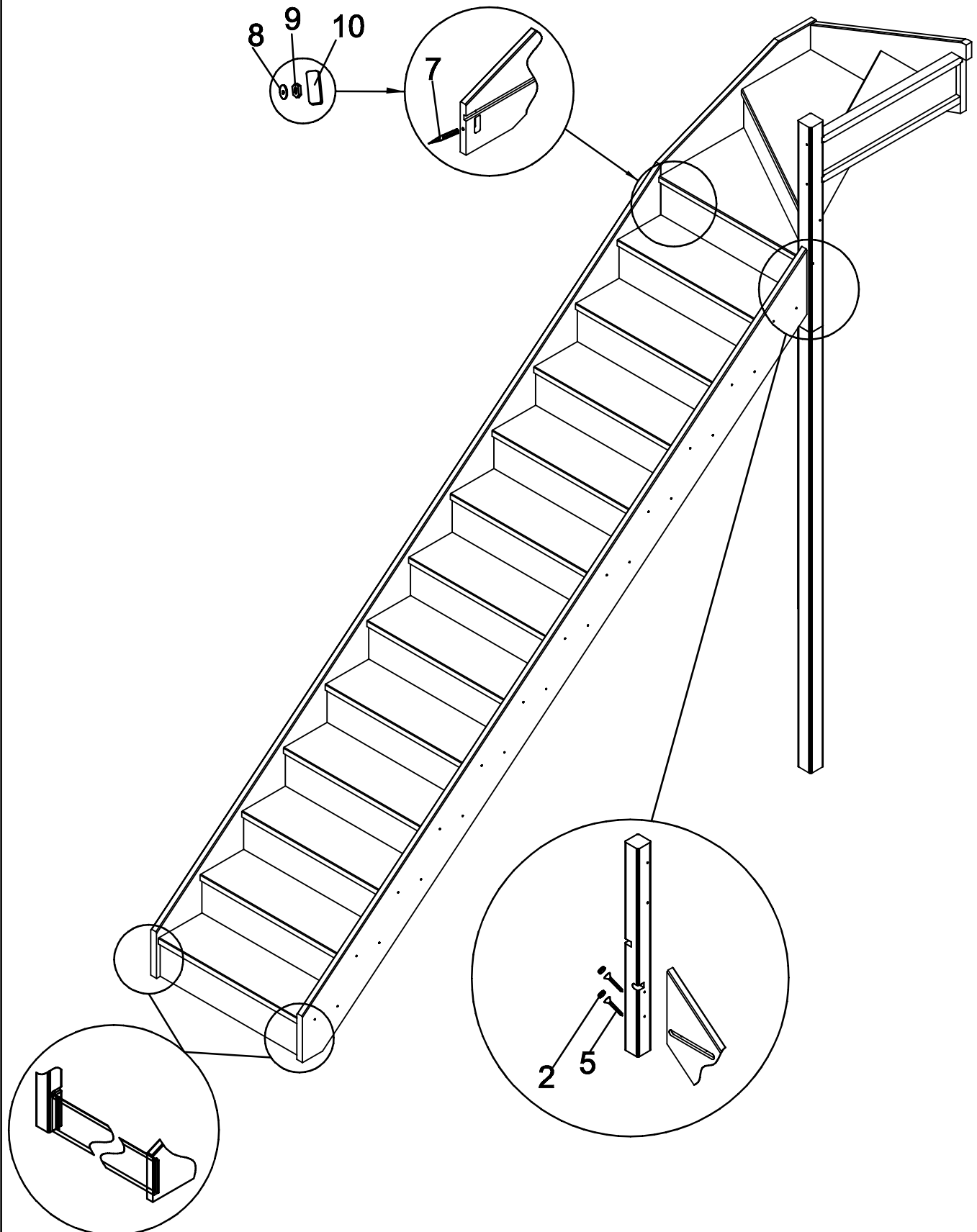
OLEA

SCARA QT SUS DREAPTA

BRAD/FAG/STEJAR



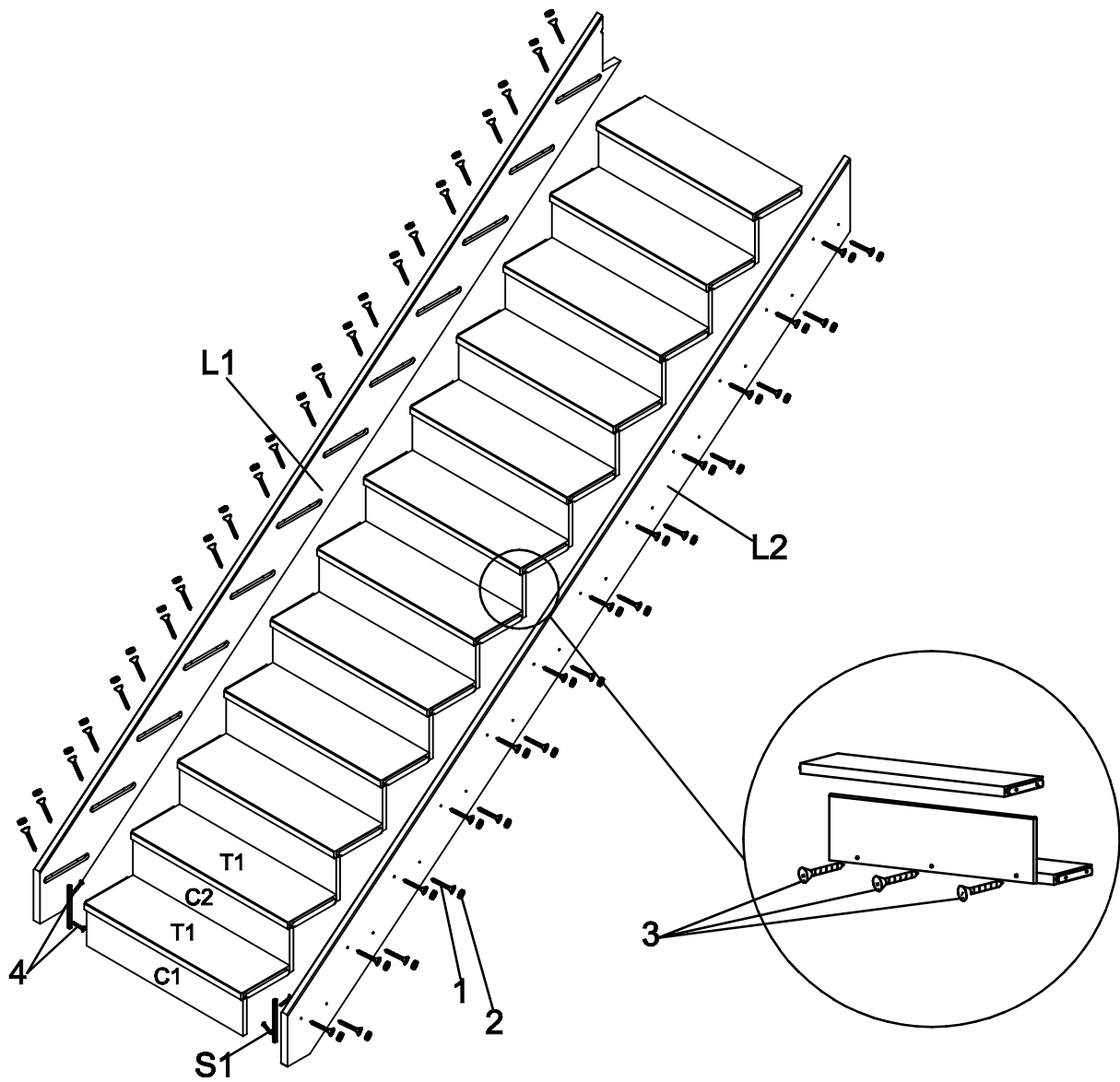
OLEA SCARA QT SUS DREAPTA ANSAMBLU



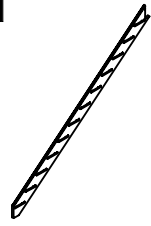
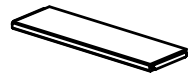
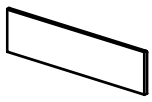


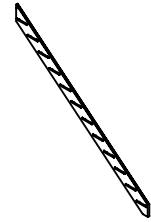
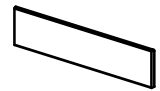



OLEA

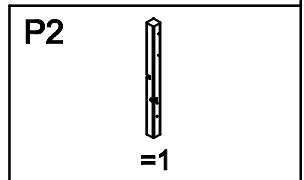
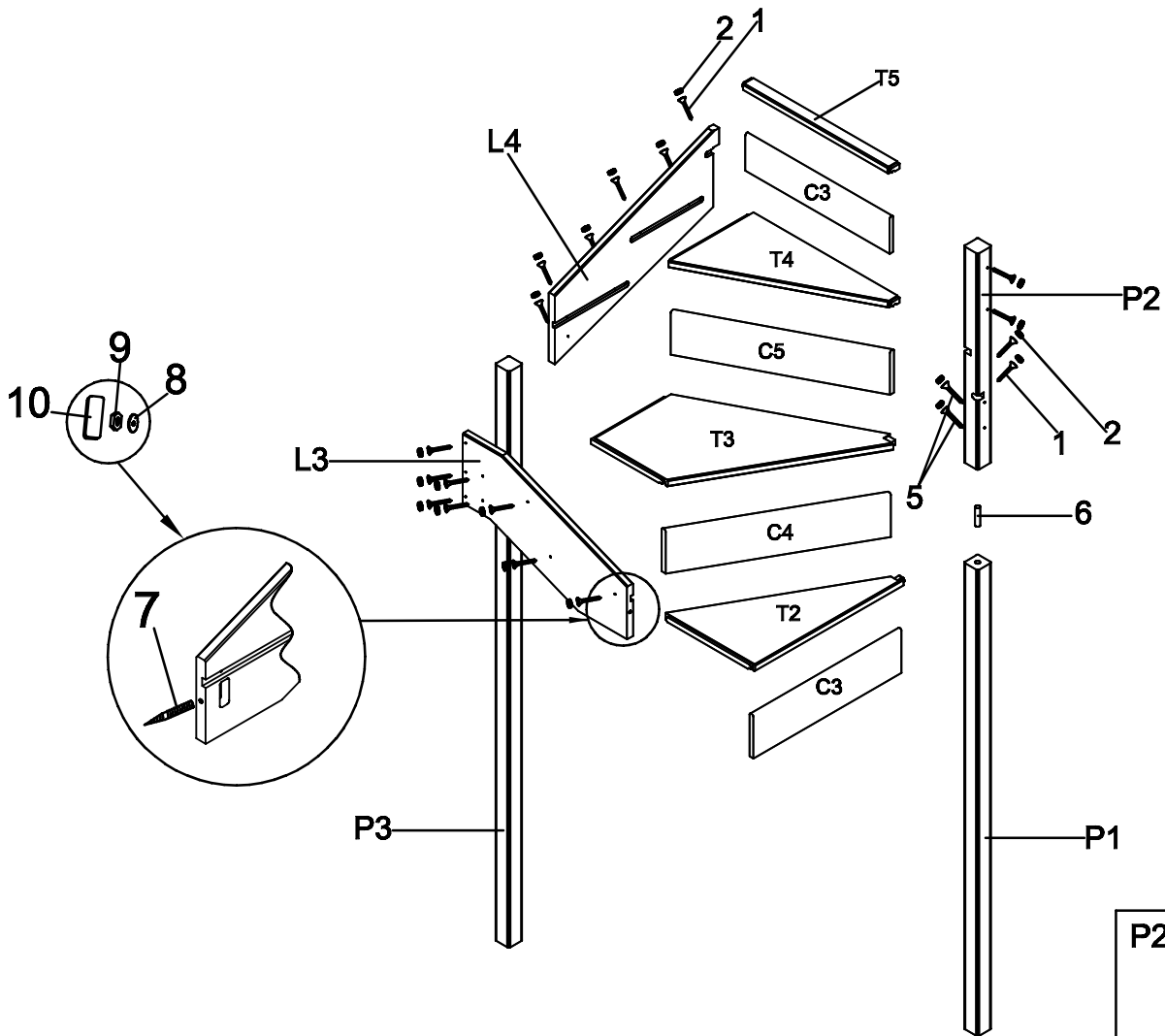
PARTEA DREAPTA A





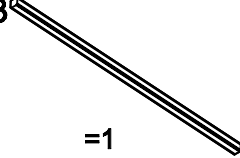

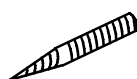

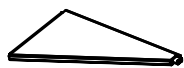



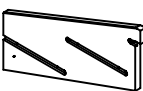

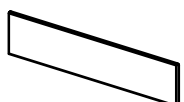



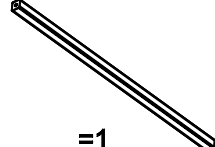
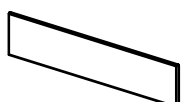
SCARII QT SUS DREAPTA







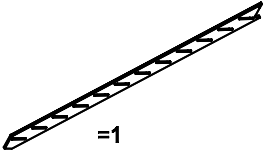



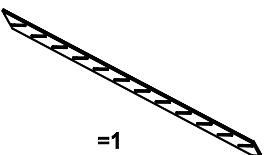


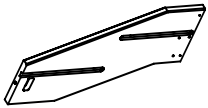
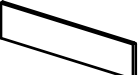

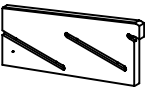
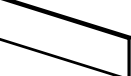


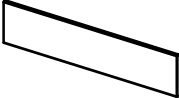


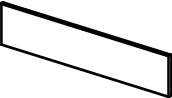

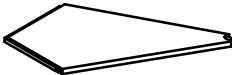
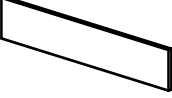

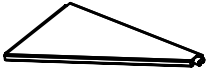

<p>1</p>  <p>Ø5x60mm=48</p>	<p>3</p>  <p>Ø4x40mm=33</p>	<p>L1</p>  <p>=1</p>	<p>T1</p>  <p>=12</p>	<p>C2</p>  <p>=11</p>
<p>2</p>  <p>Ø12=48</p>	<p>4</p>  <p>Ø3.5x25mm=4</p>	<p>L2</p>  <p>=1</p>	<p>C1</p>  <p>=1</p>	<p>S1</p>  <p>=2</p>

OLEA QT SUS DREAPTA

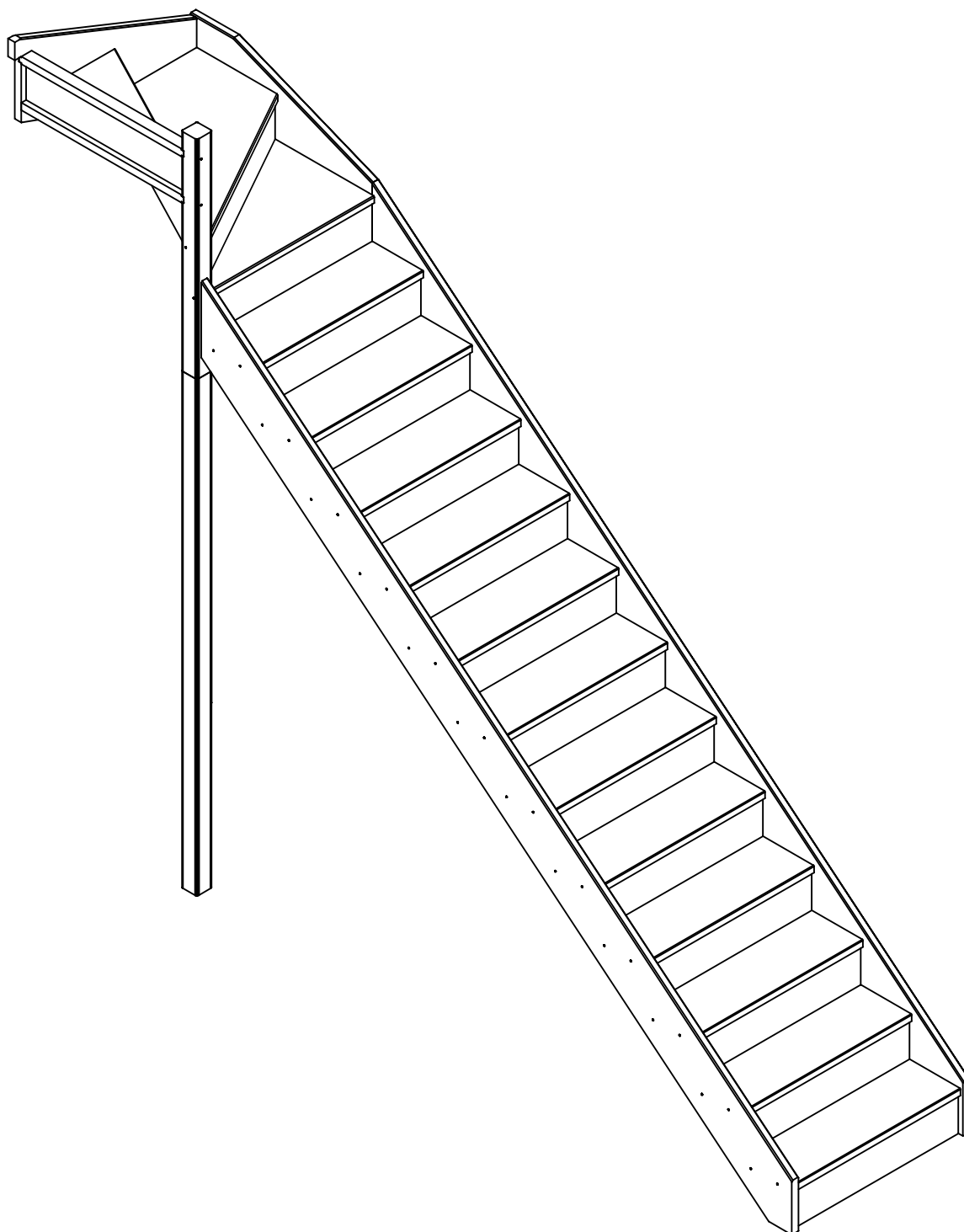


1  Ø5x60mm=18	6  Ø18=1	10  =1	T3  =1	P3  =1
2  Ø12=18	7  M8x100mm=1	L3  =1	T4  =1	C3  =2
3  Ø4x40mm=12	8  A8=1	L4  =1	T5  =1	C4  =1
5  Ø6x90mm=2	9  M8=1	T2  =1	P1  =1	C5  =1

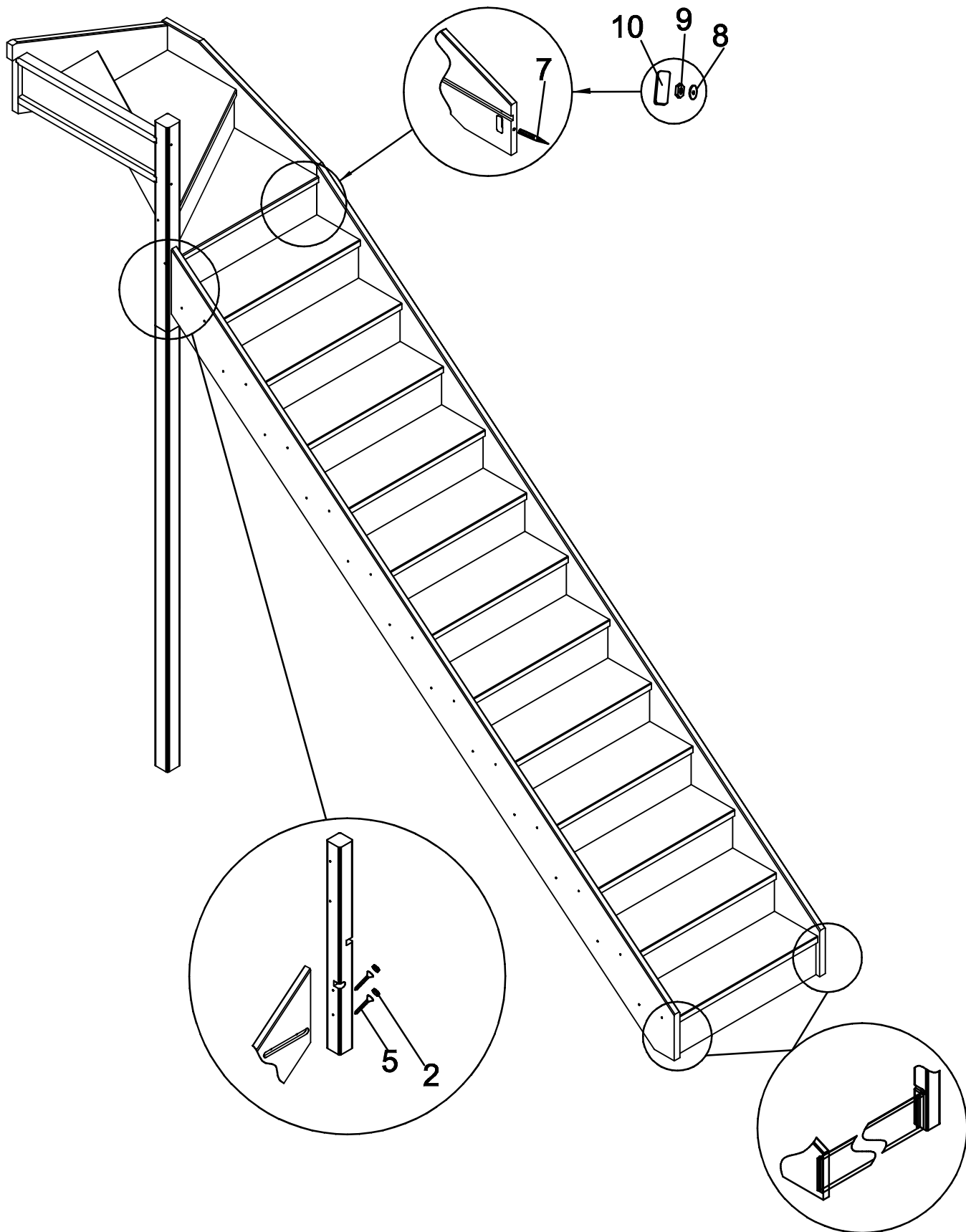
OLEA SCARA QT SUS DREAPTA ANSAMBLU

1  Ø5x60mm=66	10  =1	T5  =1	
2  Ø12=66	L1  =1	P1  =1	P2  =1
3  Ø4x40mm=45	L2  =1	P3  =1	
4  Ø3.5x25mm=4	L3  =1	C1  =1	
5  Ø6x90mm=2	L4  =1	C2  =11	
6  Ø18=1	T1  =12	C3  =2	
7  M8x100mm=1	T2  =1	C4  =1	
8  A8=1	T3  =1	C5  =1	
9  M8=1	T4  =12	S1  =2	

OLEA SCARA QT SUS STANGA

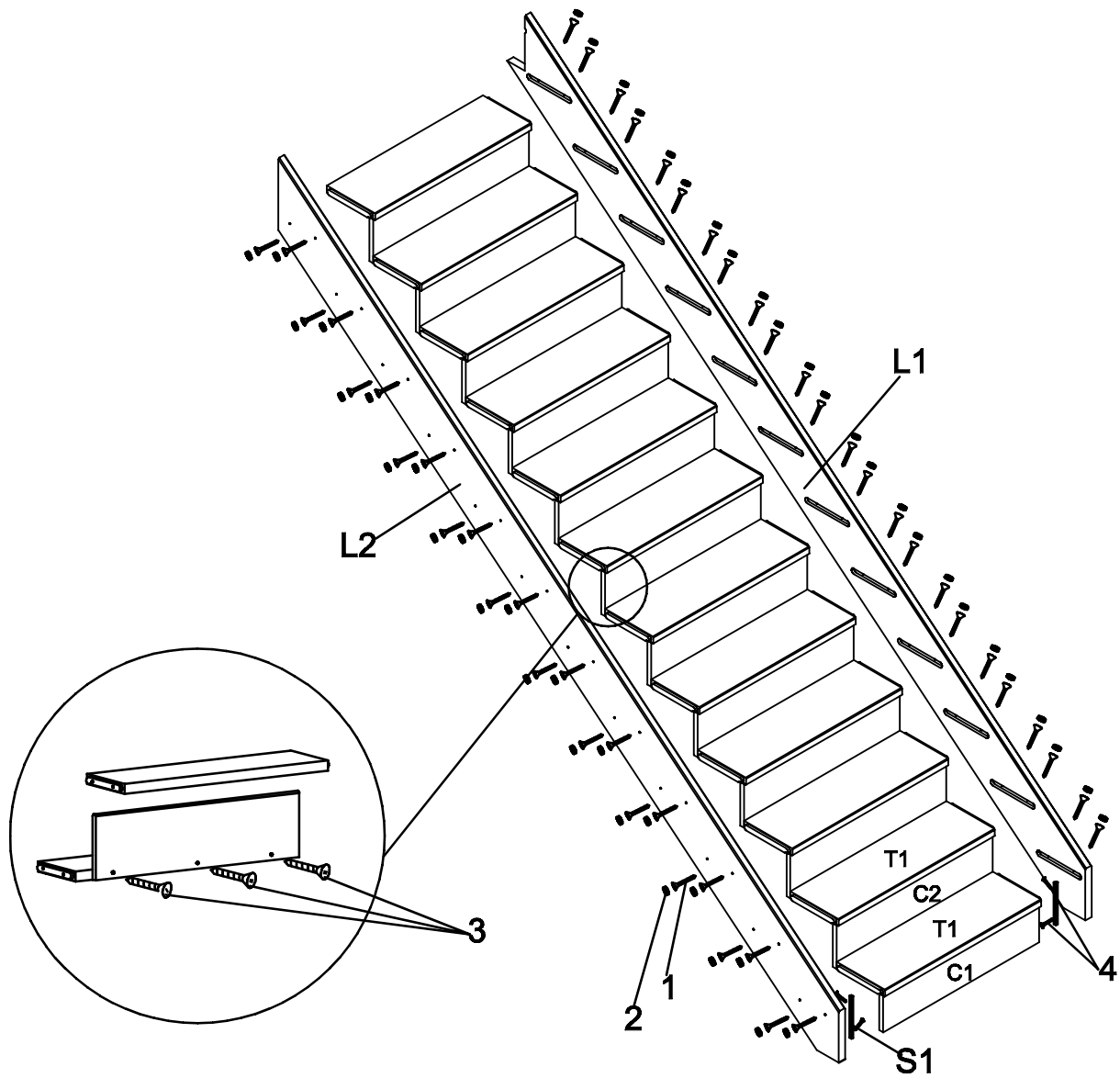




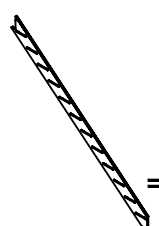

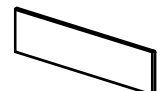


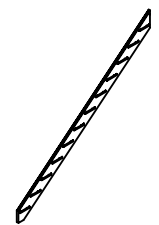
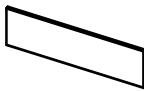

OLEA SCARA QT SUS STANGA ANSAMBLU



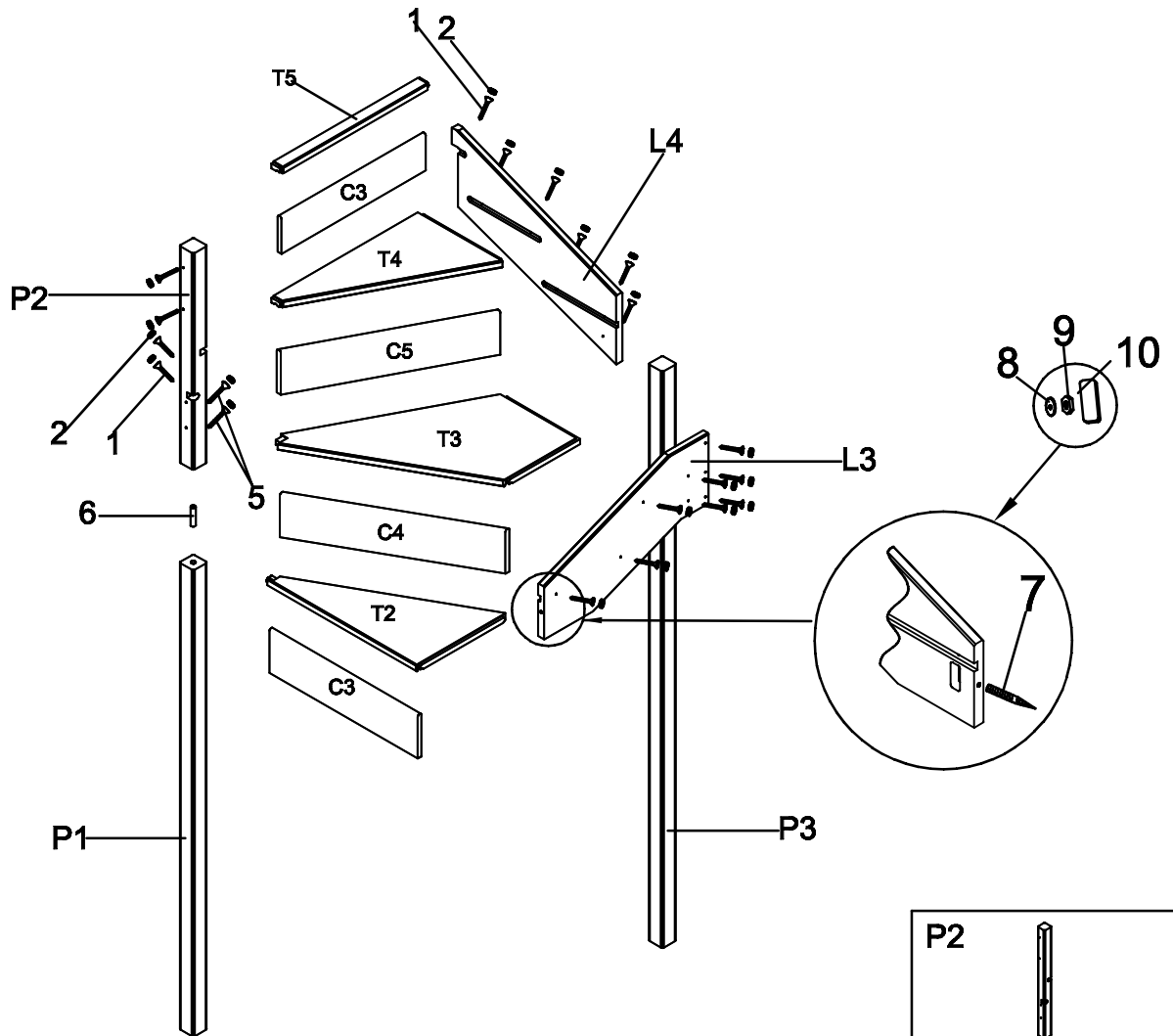
OLEA





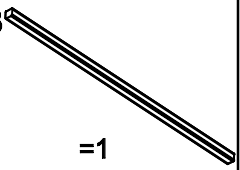

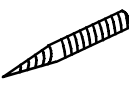
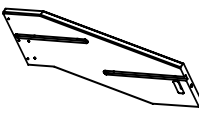

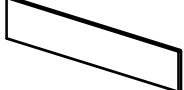




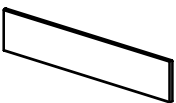



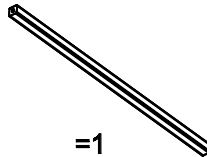
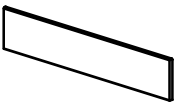
PARTEA DREAPTA A SCARII QT SUS STANGA







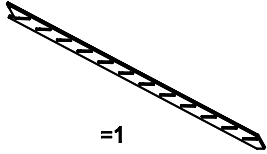



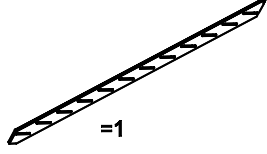


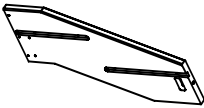
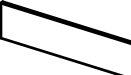


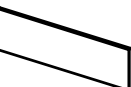


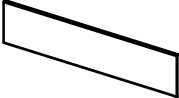


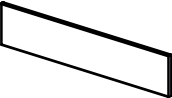

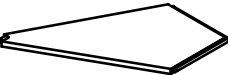
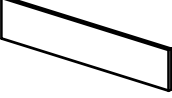



1  Ø5x60mm=48	3  Ø4x40mm=33	L1  =1	T1  =12	C2  =11
2  Ø12=48	4  Ø3.5x25mm=4	L2  =1	C1  =1	S1  =2

OLEA QT SUS STANGA

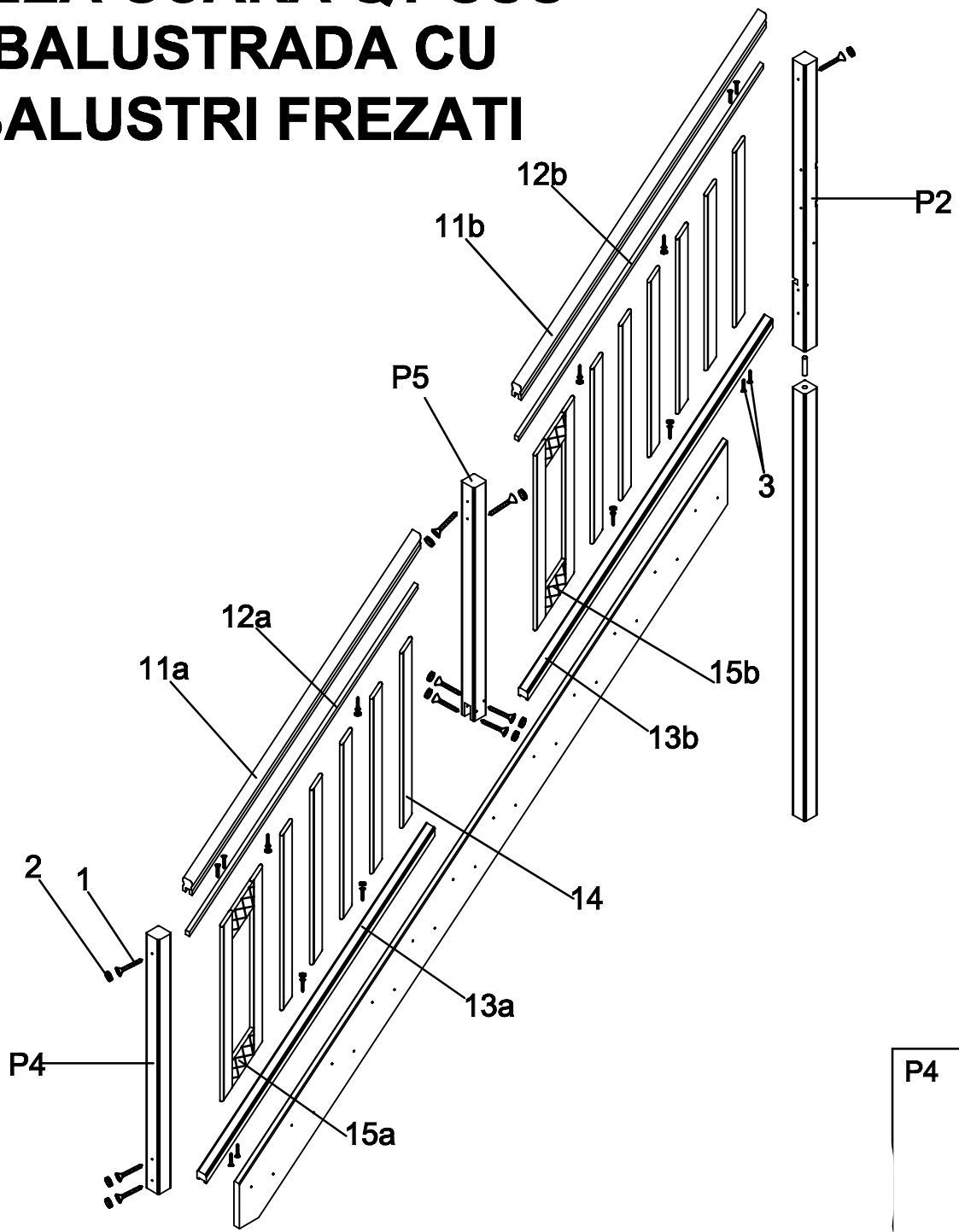




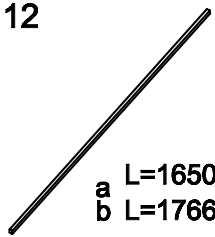



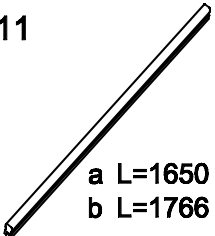
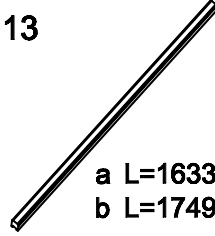


1  Ø5x60mm=18	6  Ø18=1	10  =1	T3  =1	P3  =1
2  Ø12=18	7  M8x100mm=1	L3  =1	T4  =1	C3  =2
3  Ø4x40mm=12	8  A8=1	L4  =1	T5  =1	C4  =1
5  Ø6x90mm=2	9  M8=1	T2  =1	P1  =1	C5  =1

OLEA SCARA QT SUS STANGA ANSAMBLU

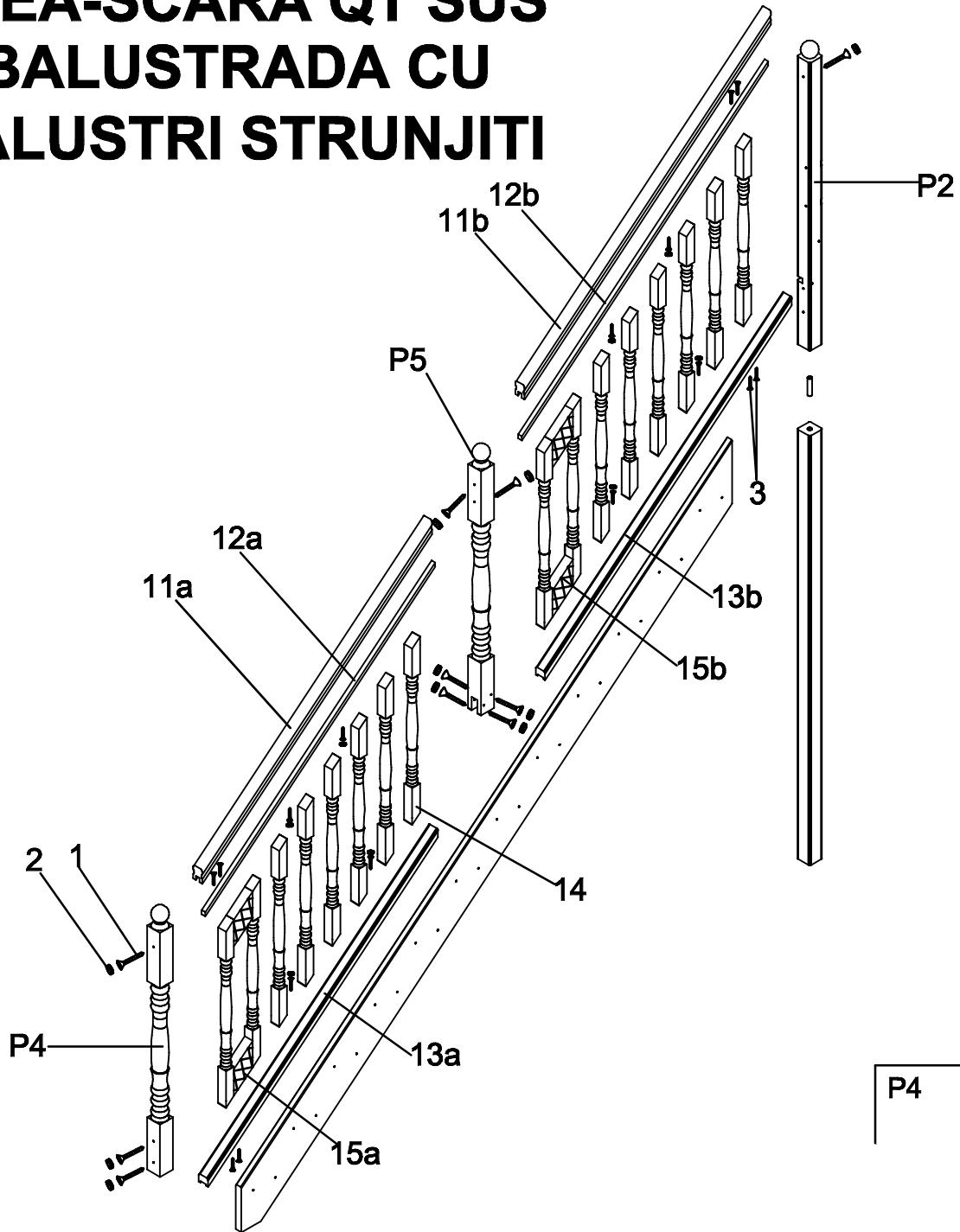
1  Ø5x60mm=66	10  =1	T5  =1	
2  Ø12=66	L1  =1	P1  =1	P2  =1
3  Ø4x40mm=45	L2  =1	P3  =1	
4  Ø3.5x25mm=4	L3  =1	C1  =1	
5  Ø6x90mm=2	L4  =1	C2  =11	
6  Ø18=1	T1  =12	C3  =2	
7  M8x100mm=1	T2  =1	C4  =1	
8  A8=1	T3  =1	C5  =1	
9  M8=1	T4  =12	S1  =2	



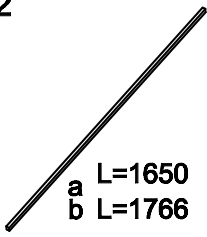



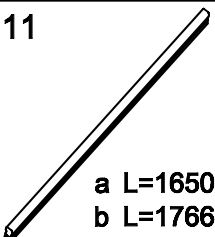
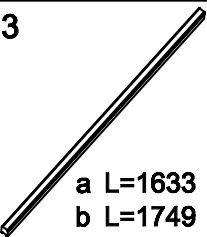


OLEA-SCARA QT SUS BALUSTRADA CU BALUSTRI FREZATI



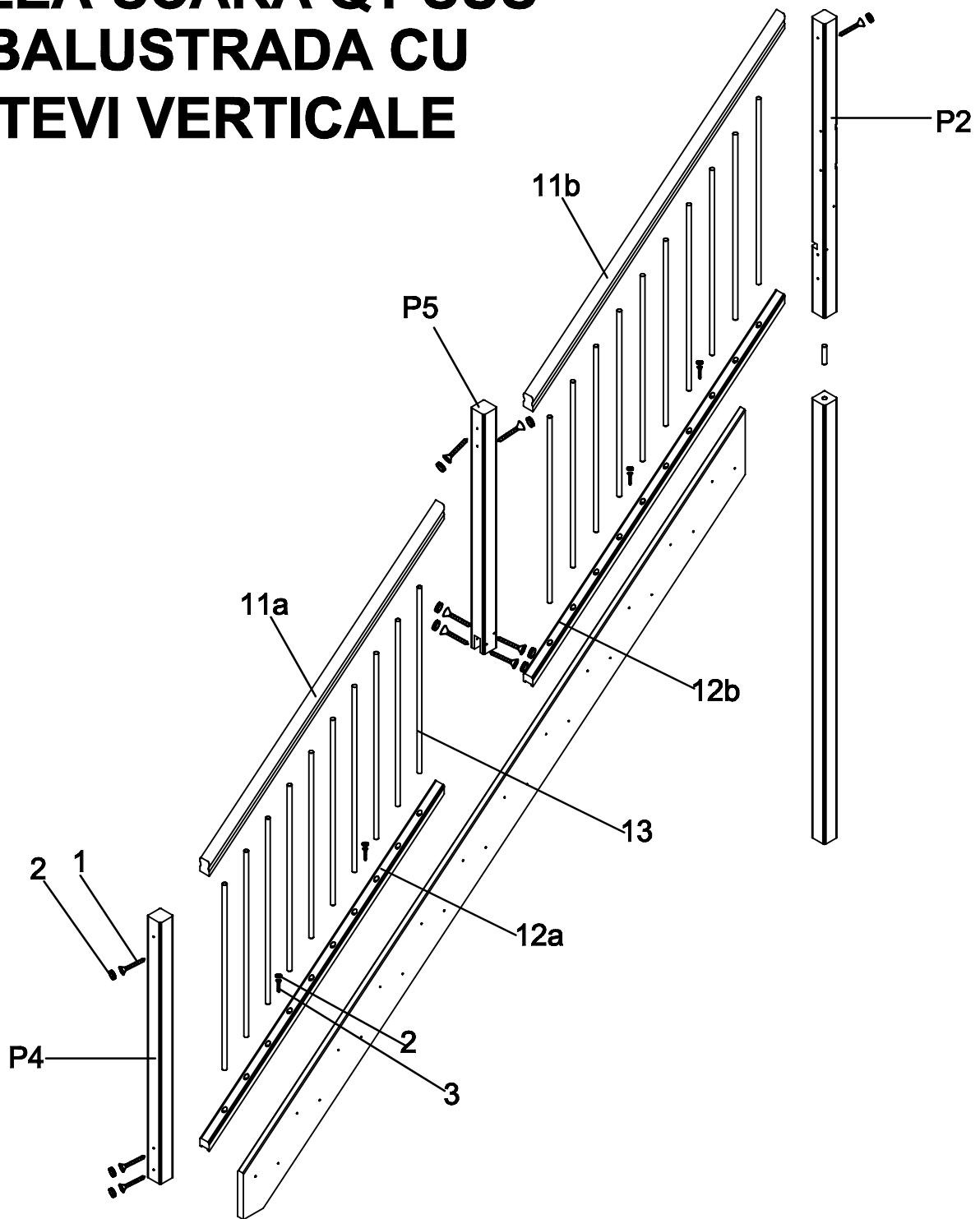
1  $\text{Ø}5 \times 60 \text{mm} = 10$	3  $\text{Ø}4 \times 40 \text{mm} = 68$	12  a L=1650 =1 b L=1766 =1	14  =15	P4  =1
2  $\text{Ø}12 = 18$	11  a L=1650 =1 b L=1766 =1	13  a L=1633 =1 b L=1749 =1	P2  =1	15  a L=133mm =2 b L=123mm =2



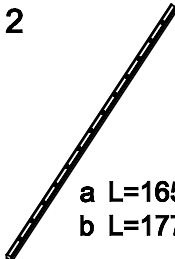



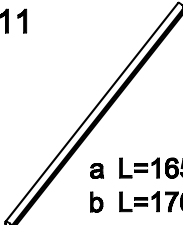


OLEA-SCARA QT SUS BALUSTRADA CU BALUSTRI STRUNJITI



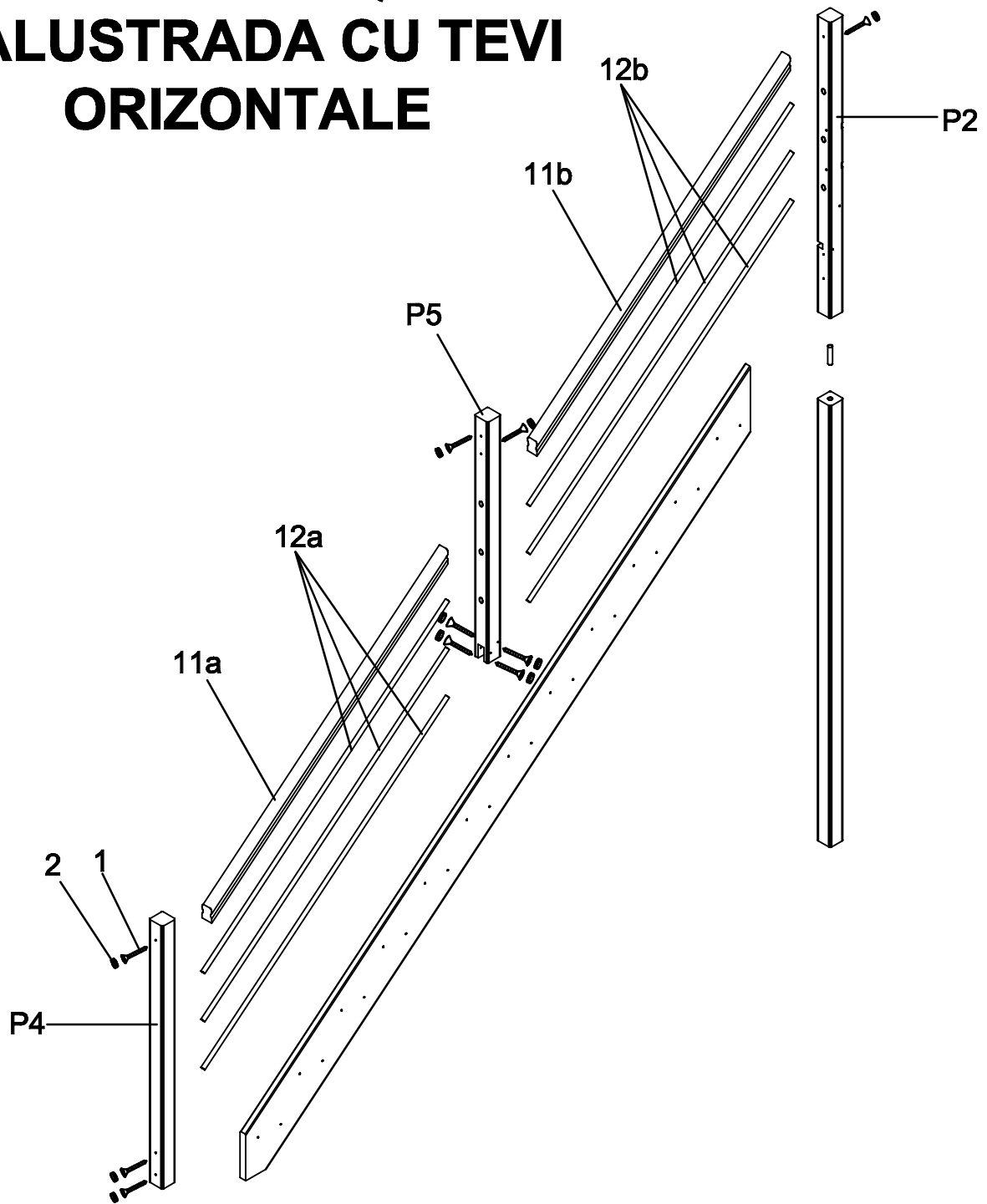
<p>1</p>  <p>Ø5x60mm=10</p>	<p>3</p>  <p>Ø4x40mm=72</p>	<p>12</p>  <p>a L=1650 =1 b L=1766 =1</p>	<p>14</p>  <p>=16</p>	<p>P4</p>  <p>=1</p>
<p>2</p>  <p>Ø12=18</p>	<p>11</p>  <p>a L=1650 =1 b L=1766 =1</p>	<p>13</p>  <p>a L=1633 =1 b L=1749 =1</p>	<p>P2</p>  <p>=1</p>	<p>15</p>  <p>a L=131mm =2 b L=143mm =2</p>


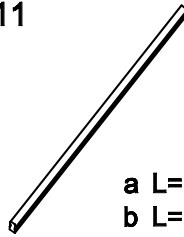



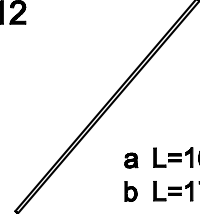

OLEA-SCARA QT SUS BALUSTRADA CU TEVI VERTICALE



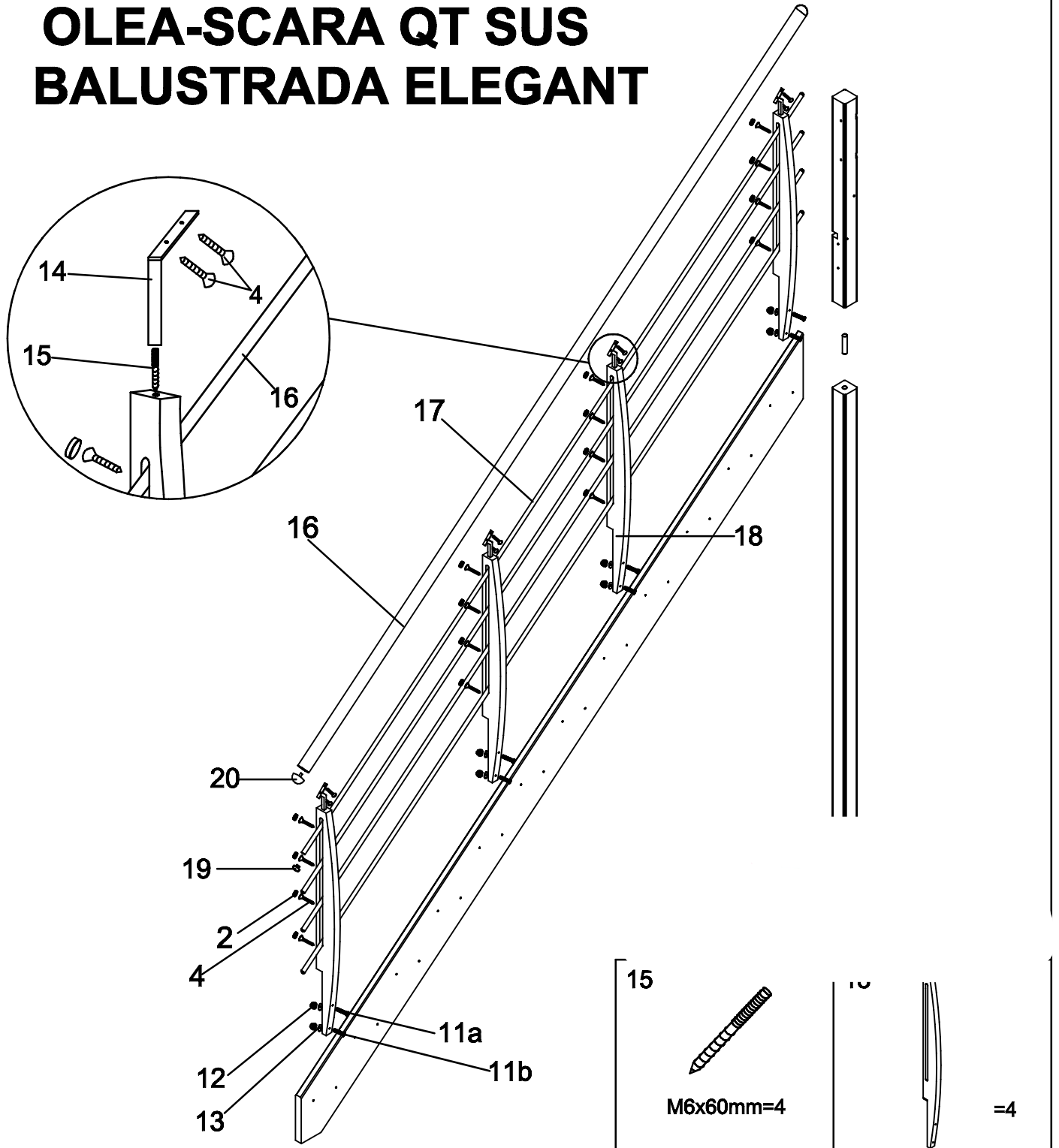
<p>1</p>  <p>Ø5x60mm=10</p>	<p>3</p>  <p>Ø4x40mm=4</p>	<p>12</p>  <p>a L=1654 =1 b L=1770 =1</p>	<p>P2</p>  <p>=1</p>	<p>P5</p>  <p>=1</p>
<p>2</p>  <p>Ø12=14</p>	<p>11</p>  <p>a L=1650 =1 b L=1766 =1</p>	<p>13</p>  <p>Ø18=20</p>	<p>P4</p>  <p>=1</p>	




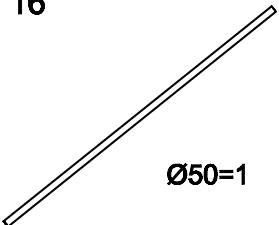




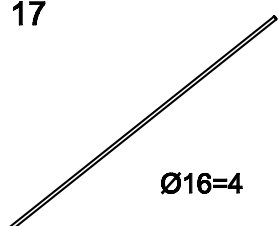

OLEA-SCARA QT SUS BALUSTRADA CU TEVI ORIZONTALE



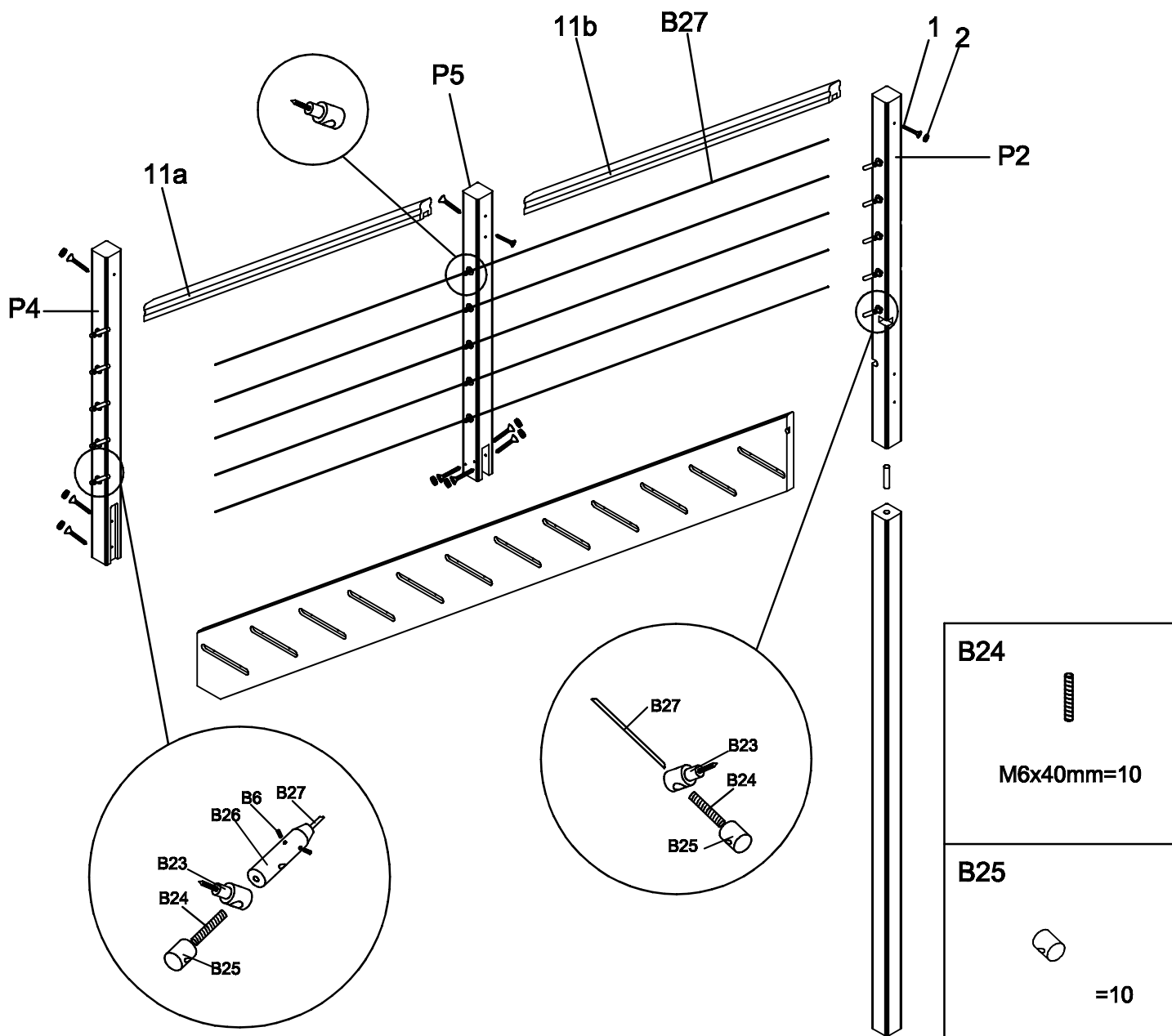
<p>1</p>  <p>Ø5x60mm=10</p>	<p>11</p>  <p>a L=1650 =1 b L=1780 =1</p>	<p>P2</p>  <p>=1</p>	<p>P5</p>  <p>=1</p>
<p>2</p>  <p>Ø12=10</p>	<p>12</p>  <p>Ø18 a L=1664 =3 b L=1780 =3</p>	<p>P4</p>  <p>=1</p>	



OLEA-SCARA QT SUS BALUSTRADA ELEGANT


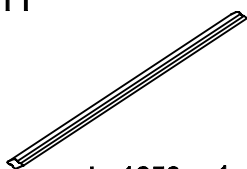


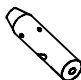




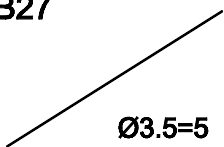


<p>2</p>  <p>Ø12=16</p>	<p>11</p>  <p>a M6x90mm=4 b M6x70mm=4</p>	<p>13</p>  <p>A6=8</p>	<p>16</p>  <p>Ø50=1</p>	<p>19</p>  <p>Ø16=8</p>
<p>4</p>  <p>Ø3.5x25mm=24</p>	<p>12</p>  <p>M6=8</p>	<p>14</p>  <p>=4</p>	<p>17</p>  <p>Ø16=4</p>	<p>20</p>  <p>Ø50=2</p>

OLEA-SCARA QT SUS BALUSTRADA CU 5 STIFTURI FILETATE



B24		M6x40mm=10
B25		=10

1	 Ø5x60mm=10	11	 a L=1650 =1 b L=1766 =1	P4	 =1	B6	 HEX 3=1 M6x6mm=15	B26	 =5
2	 Ø12=10	P2	 =1	P5	 =1	B23	 =15	B27	 Ø3.5=5