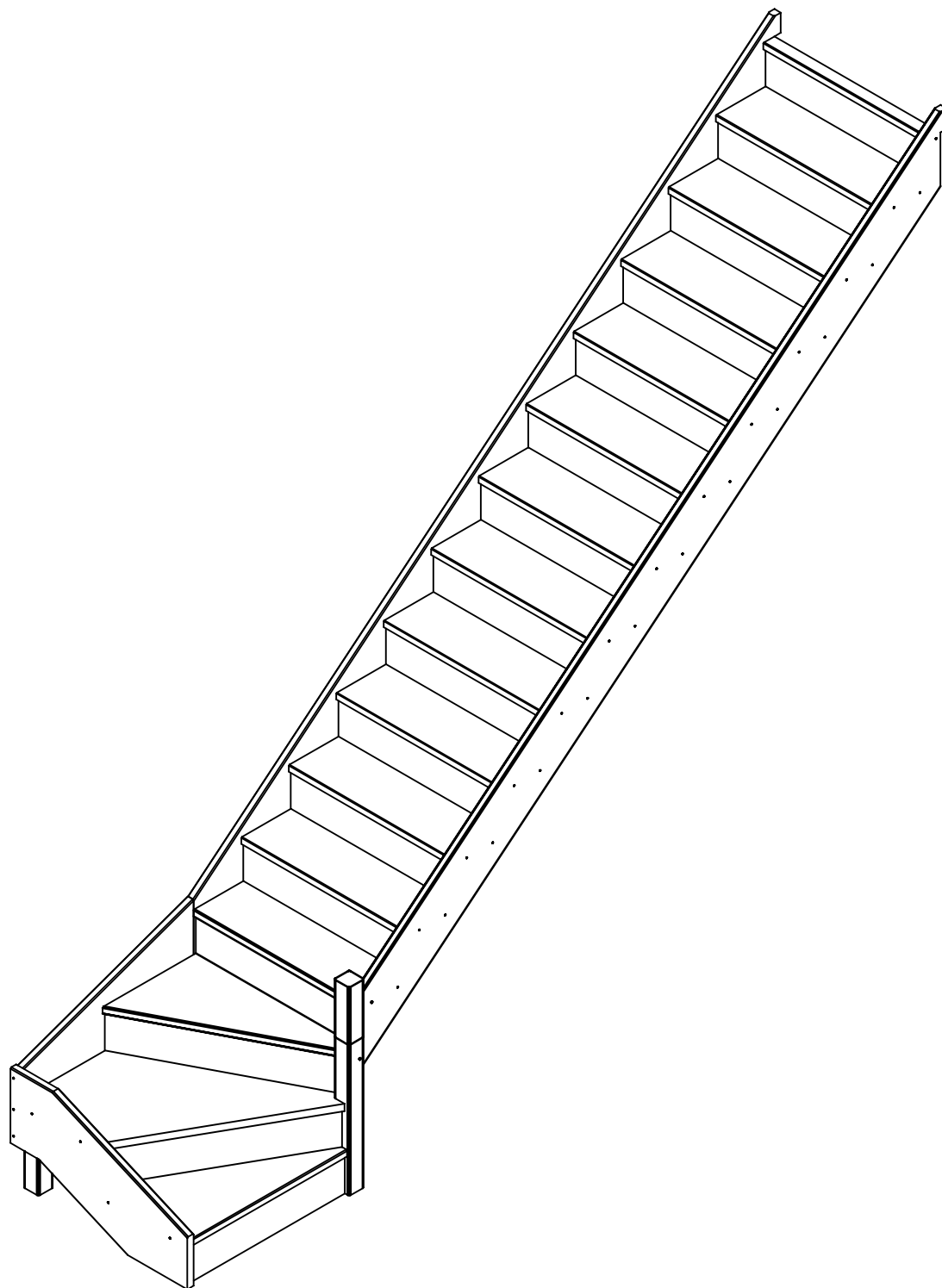


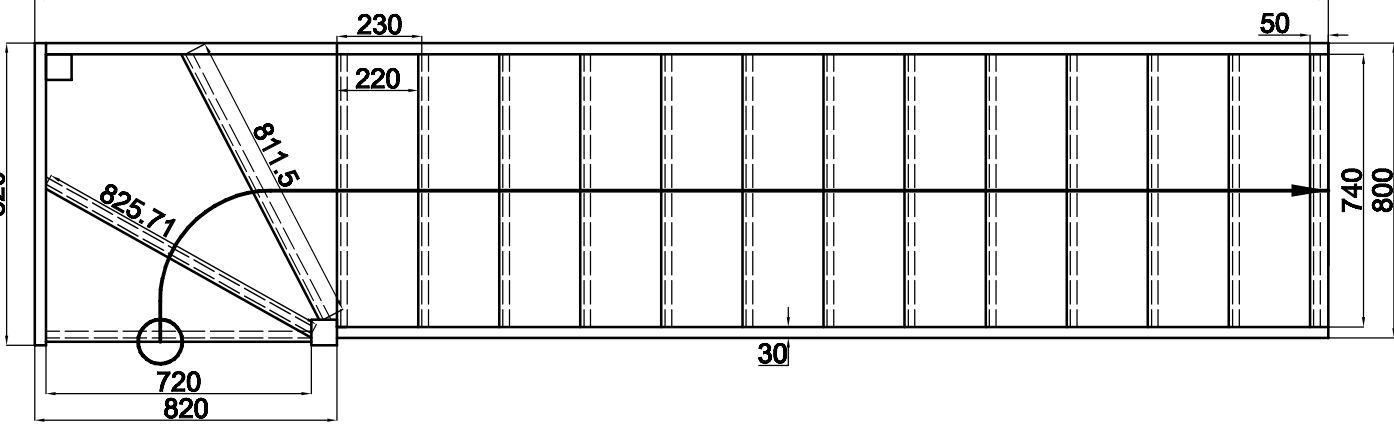
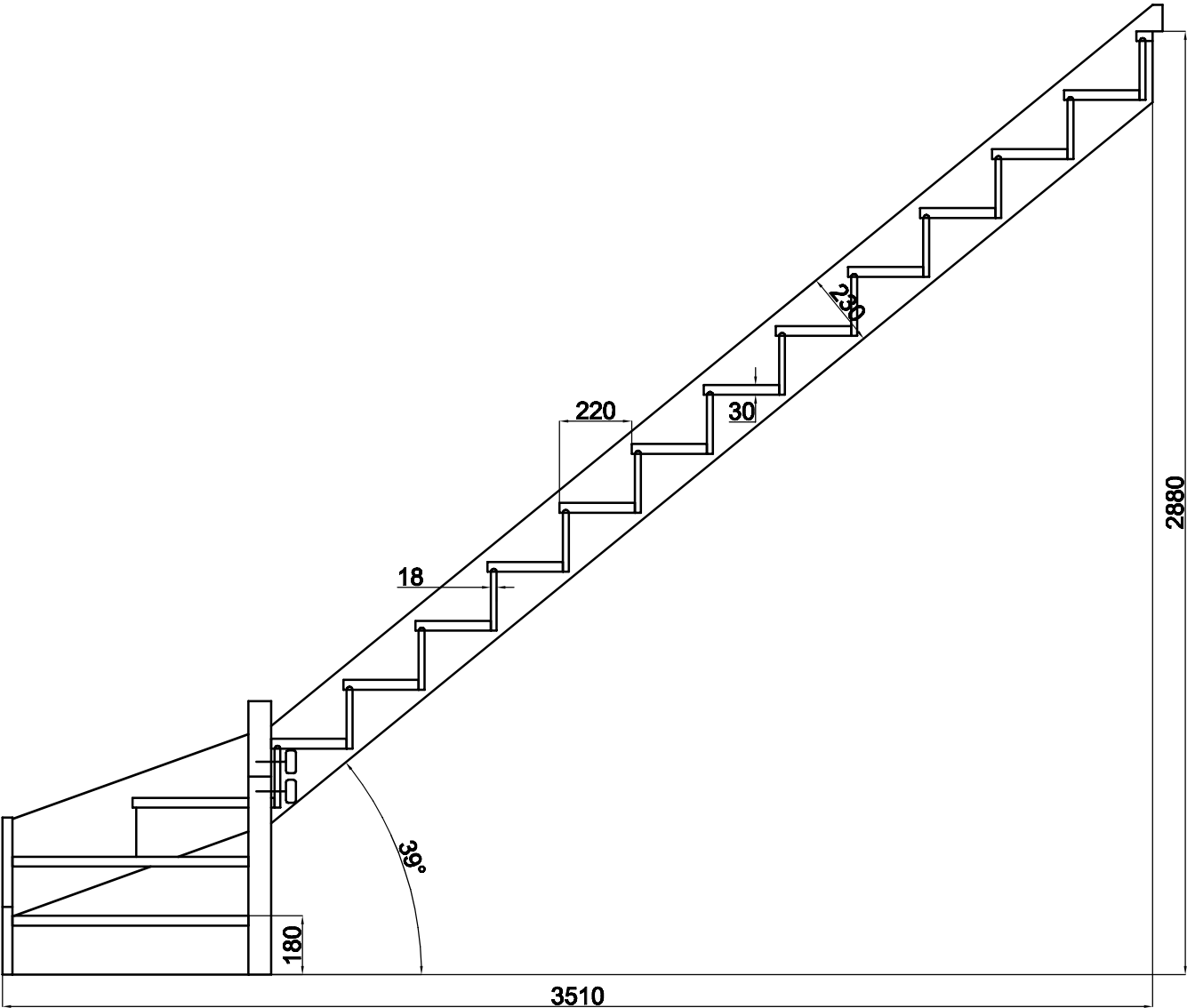
# OLEA SCARA QT JOS DREAPTA



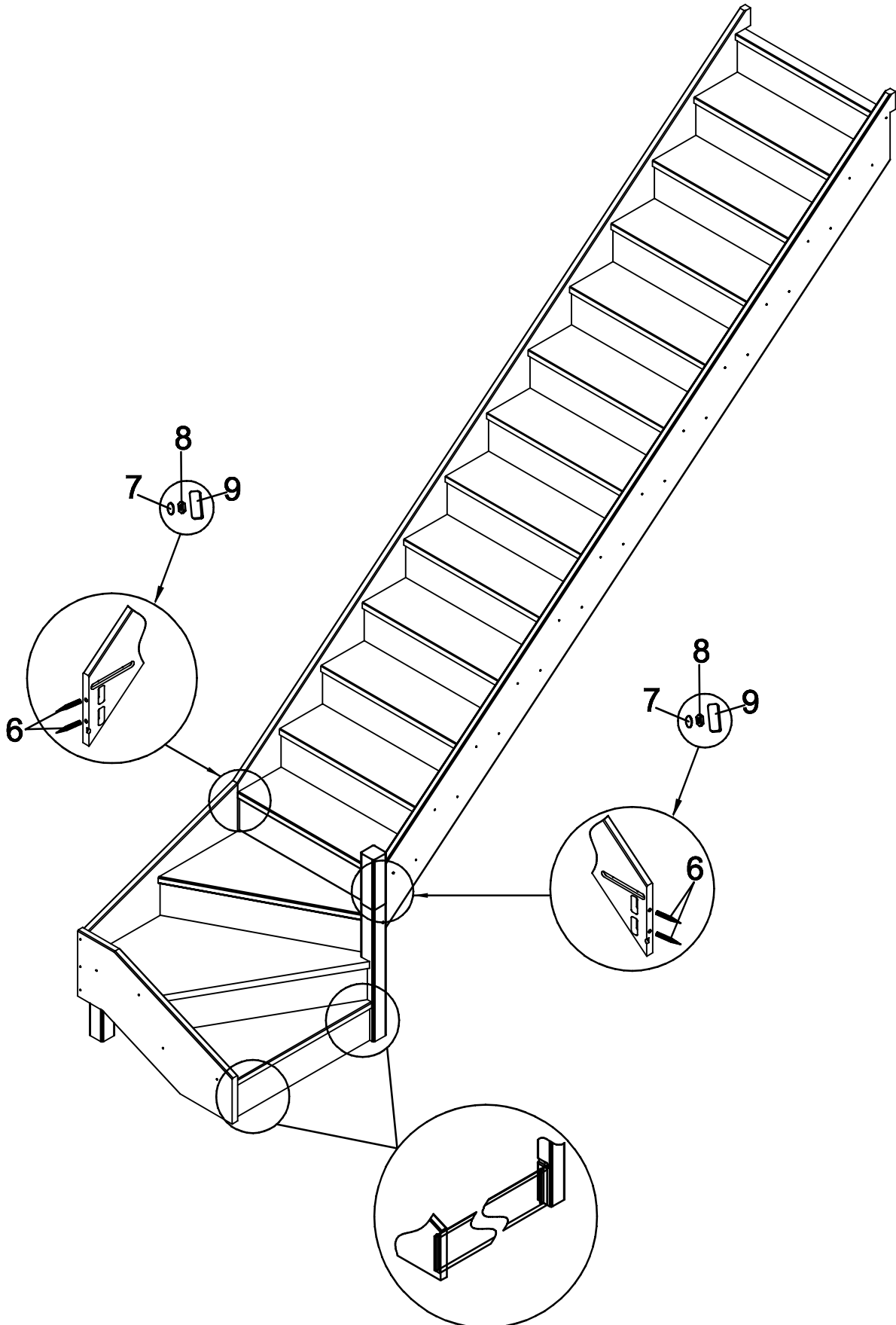
# OLEA

## SCARA QT JOS DREAPTA

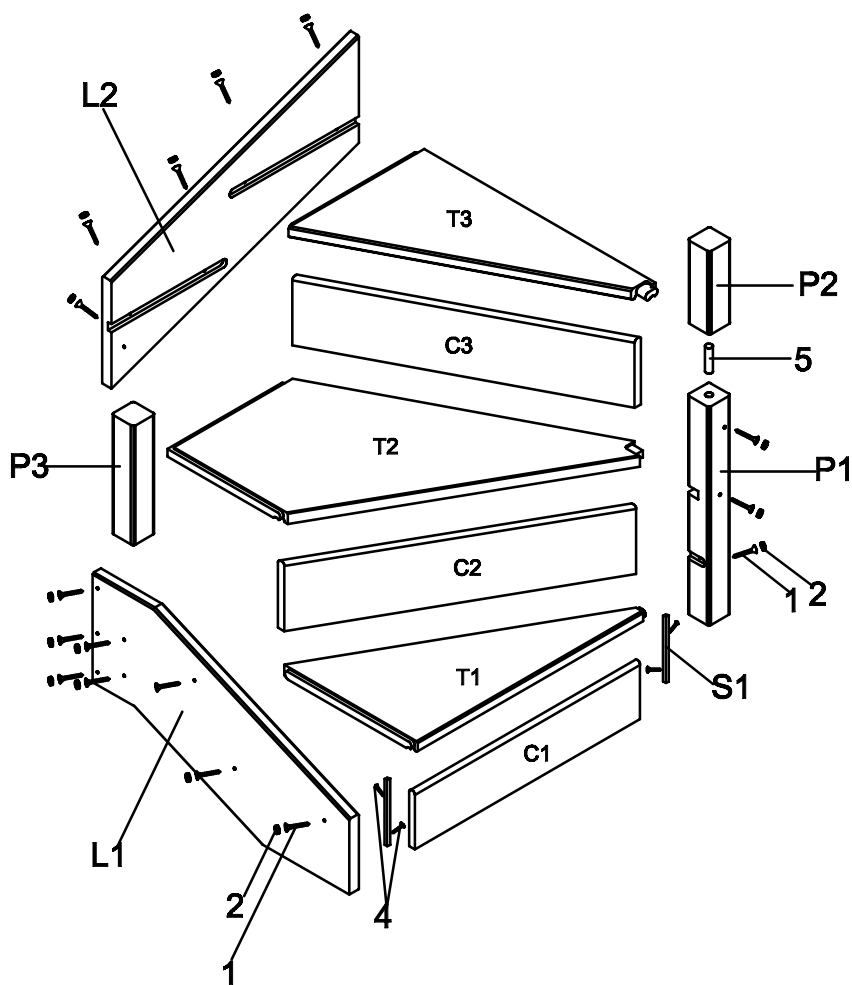
### BRAD/FAG/STEJAR









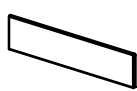

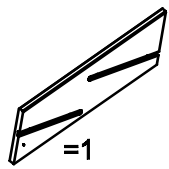

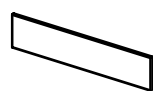



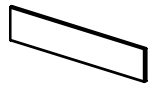


# OLEA SCARA QT JOS DREAPTA ANSAMBLU



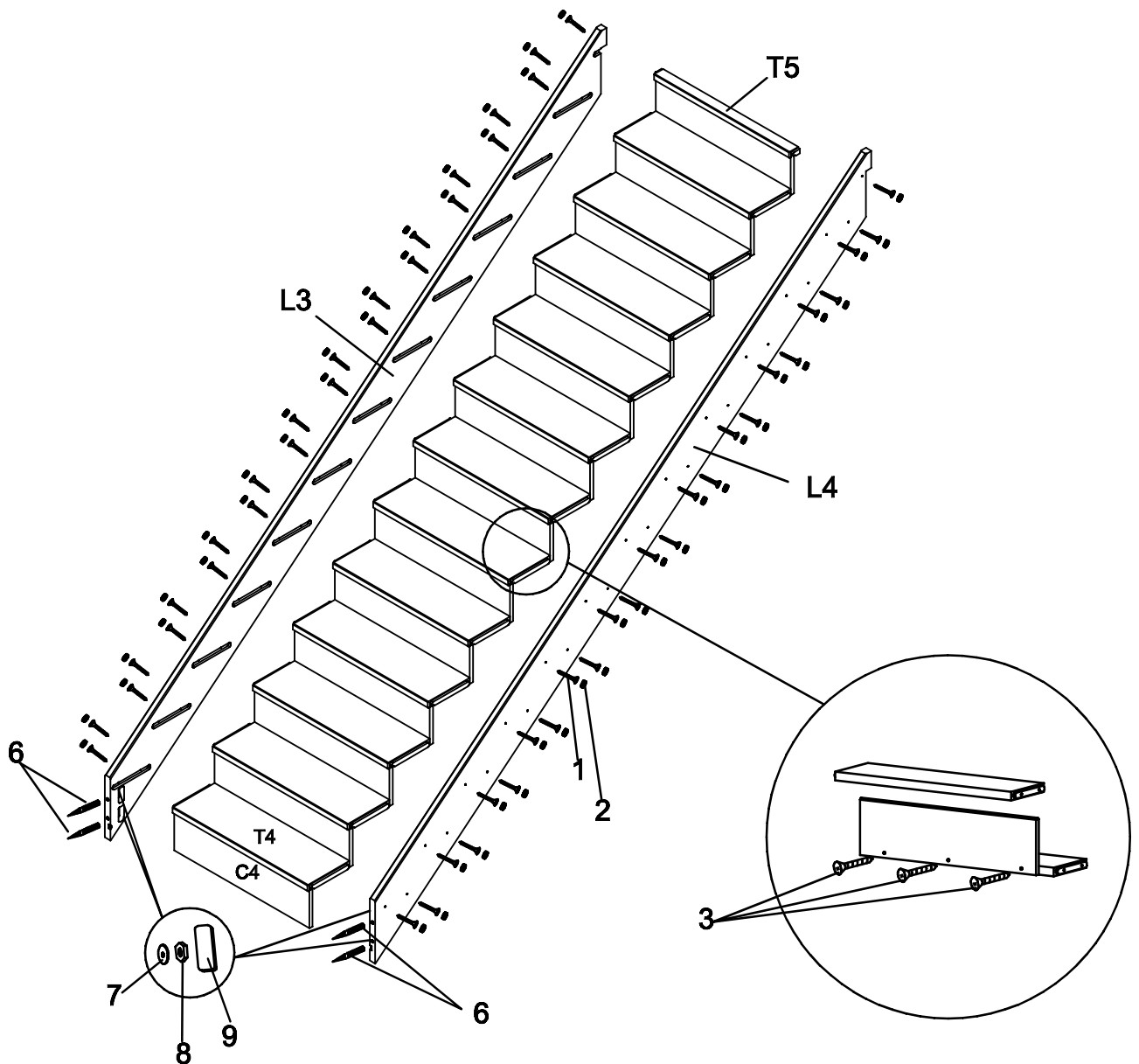
# OLEA QT JOS DREAPTA




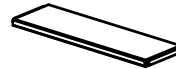


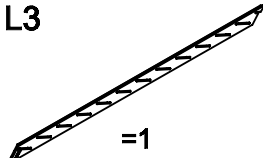



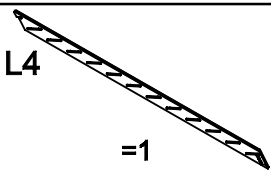



1  Ø5x60mm=16	5  Ø18=1	T2  =1	P3  =1	S1  =2
2  Ø12=16	L1  =1	T3  =1	C1  =1	
3  Ø4x40mm=6	L2  =1	P1  =1	C2  =1	
4  Ø3.5x25mm=4	T1  =1	P2  =1	C3  =1	








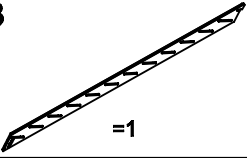


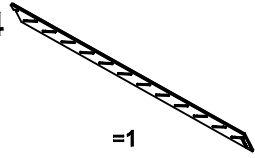
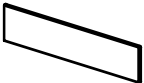


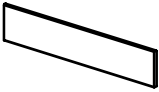


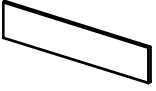

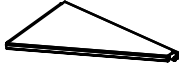






# OLEA

## PARTEA DREAPTA A SCARII QT JOS DREAPTA

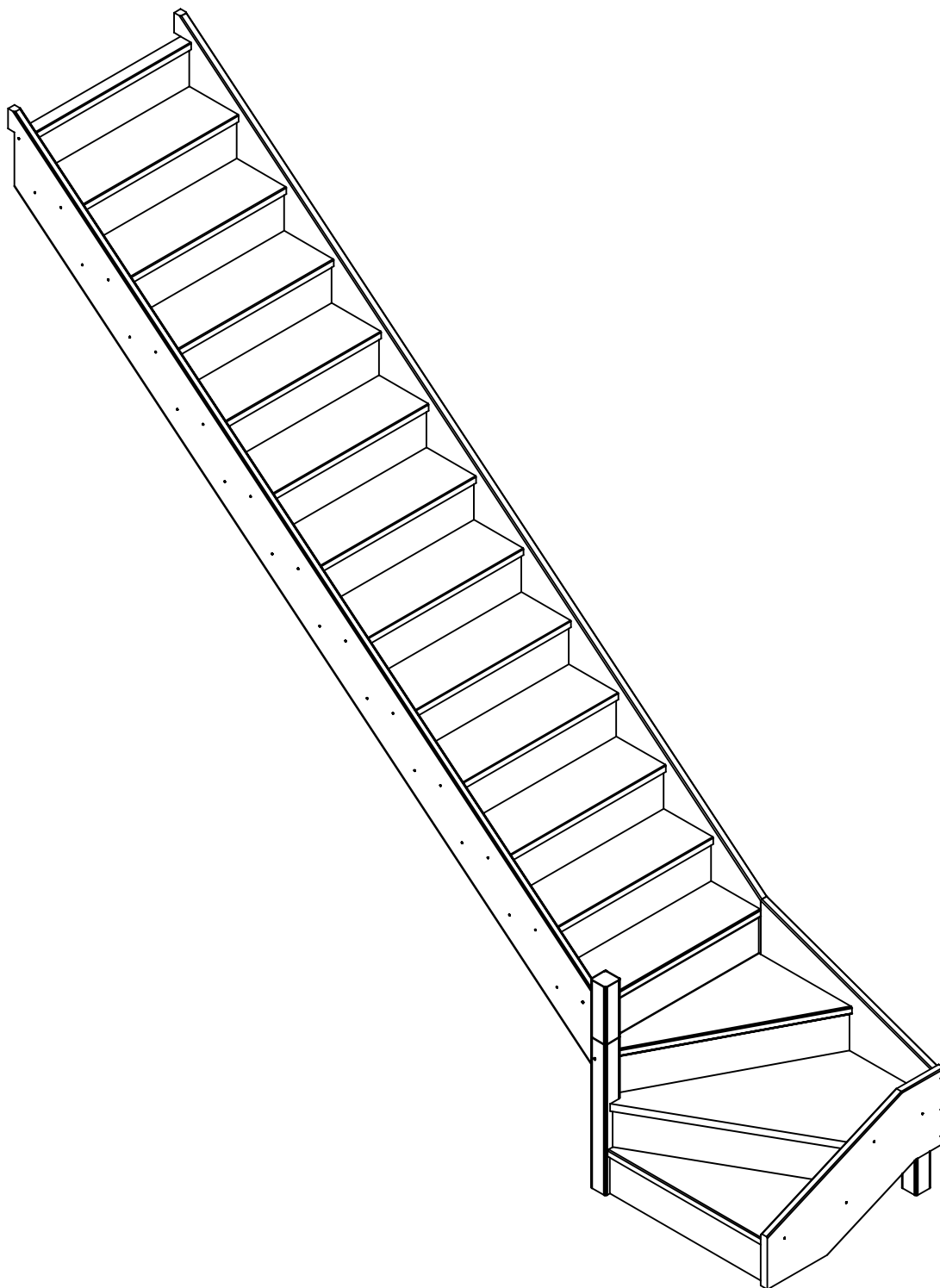


1  Ø5x60mm=50	6  M8x100mm=4	9  =4	T4  =12
2  Ø12=50	7  A8=4	L3  =1	T5  =1
3  Ø4x40mm=39	8  M8=4	L4  =1	C4  =13

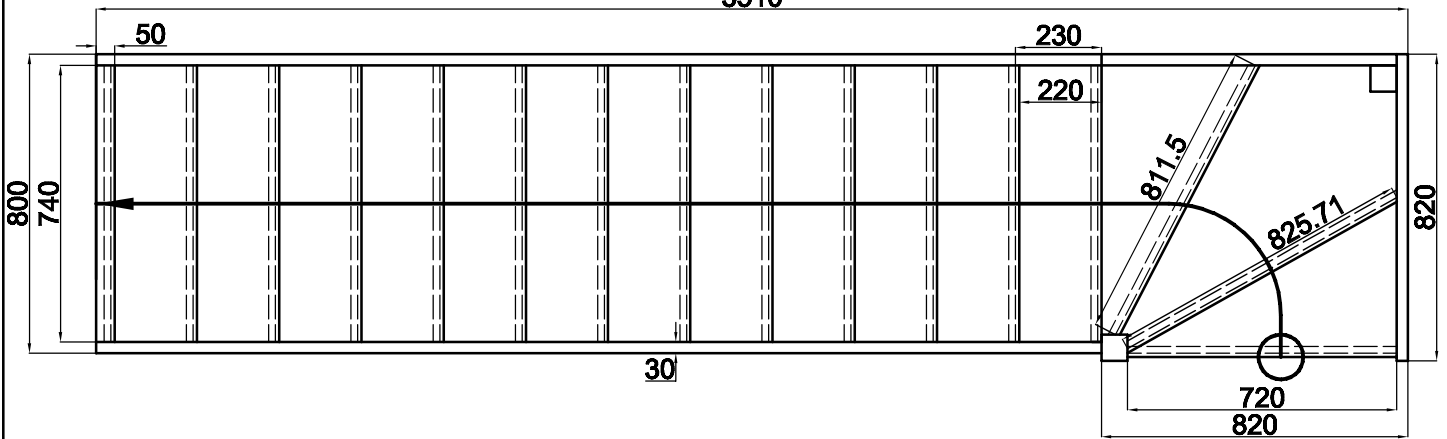
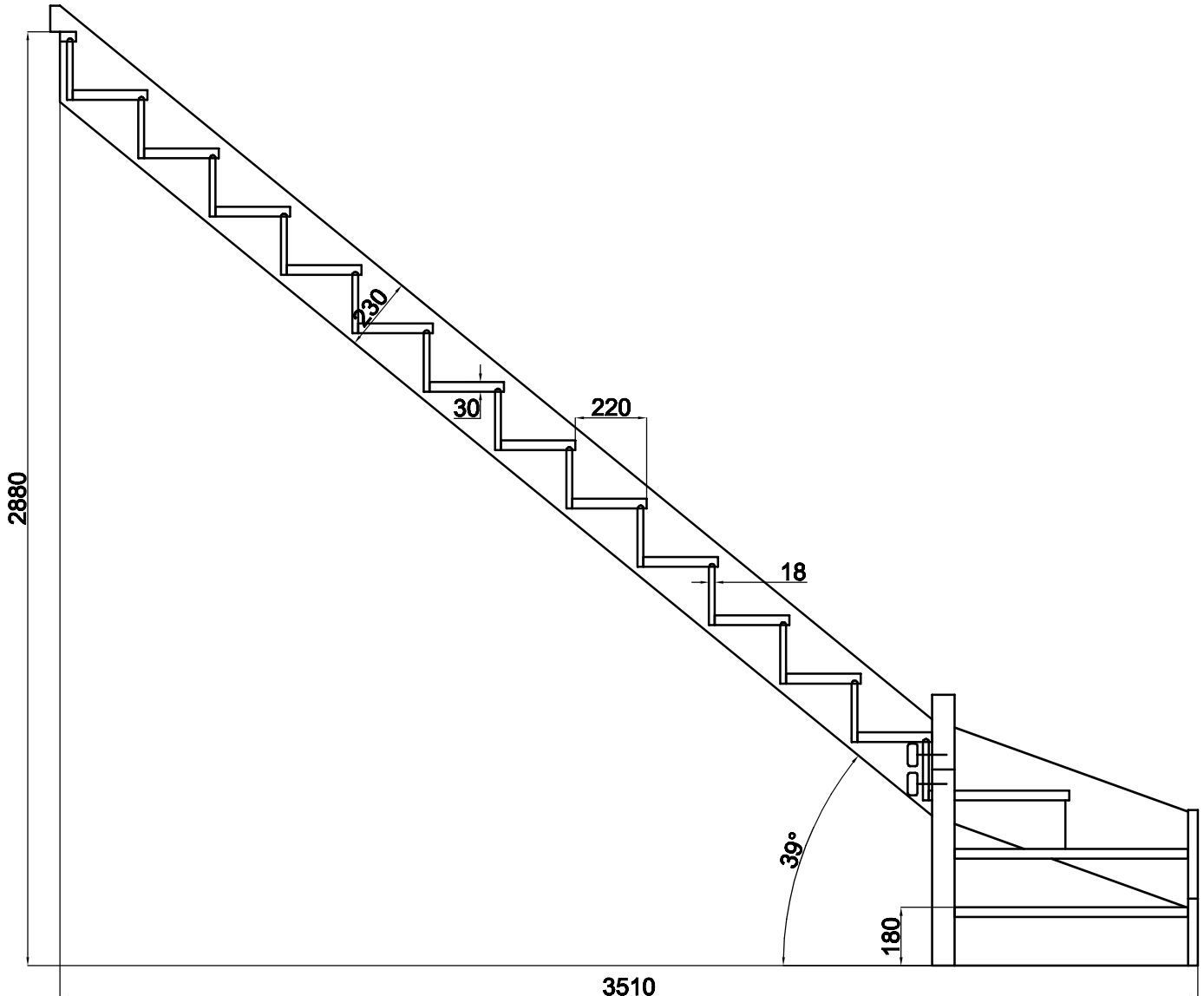
# OLEA SCARA QT JOS DREAPTA ANSAMBLU

1  Ø5x60mm=66	L1  =1	P1  =1
2  Ø12=66	L2  =1	P2  =1
3  Ø4x40mm=45	L3  =1	P3  =1
4  Ø3.5x25mm=4	L4  =1	C1  =1
5  Ø18=1	T1  =1	C2  =1
6  M8x100mm=4	T2  =1	C3  =1
7  A8=4	T3  =1	C4  =13
8  M8=4	T4  =12	S1  =2
9  =4	T5  =1	

# OLEA SCARA QT JOS STANGA

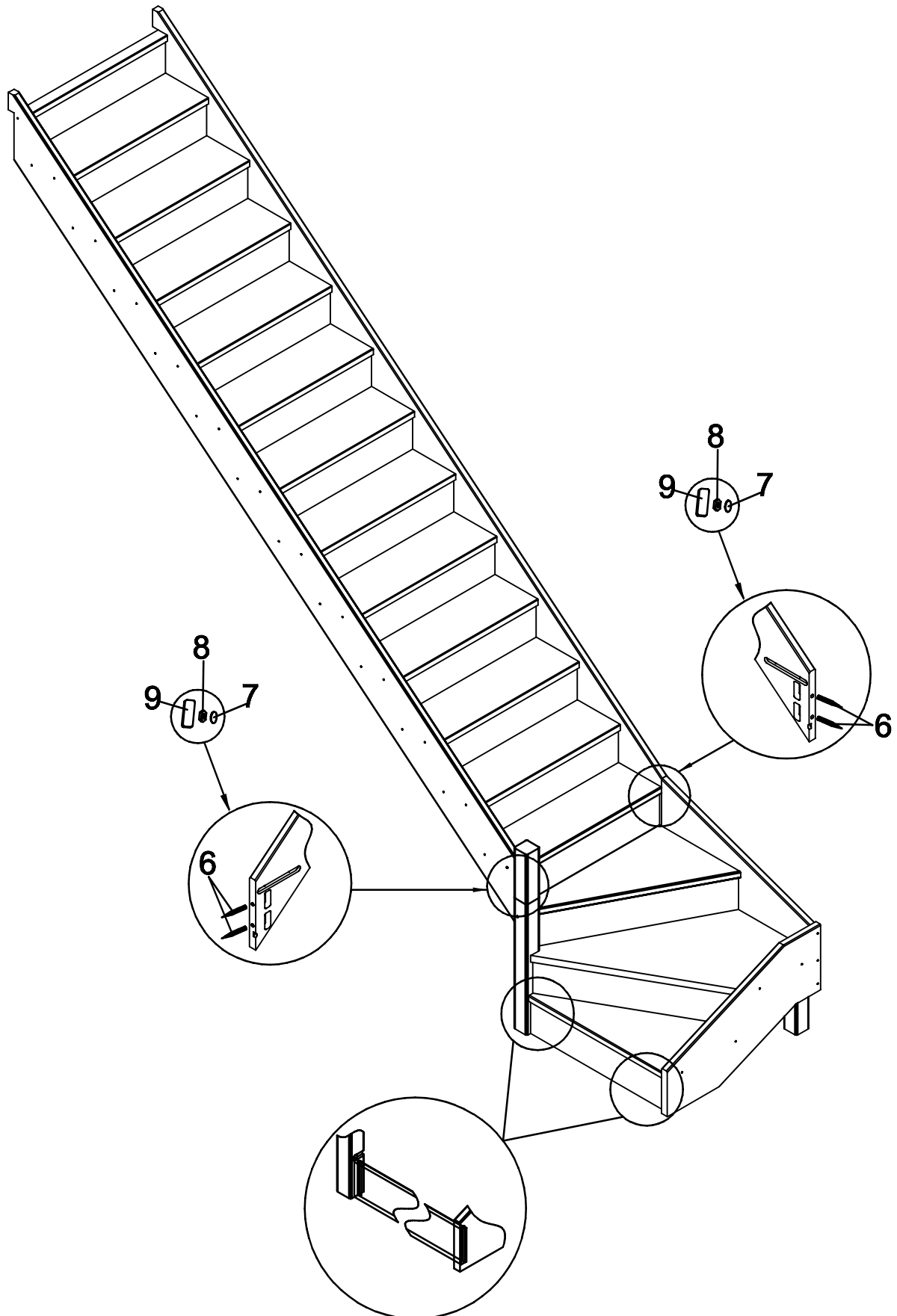


# OLEA SCARA QT JOS STANGA BRAD/FAG/STEJAR

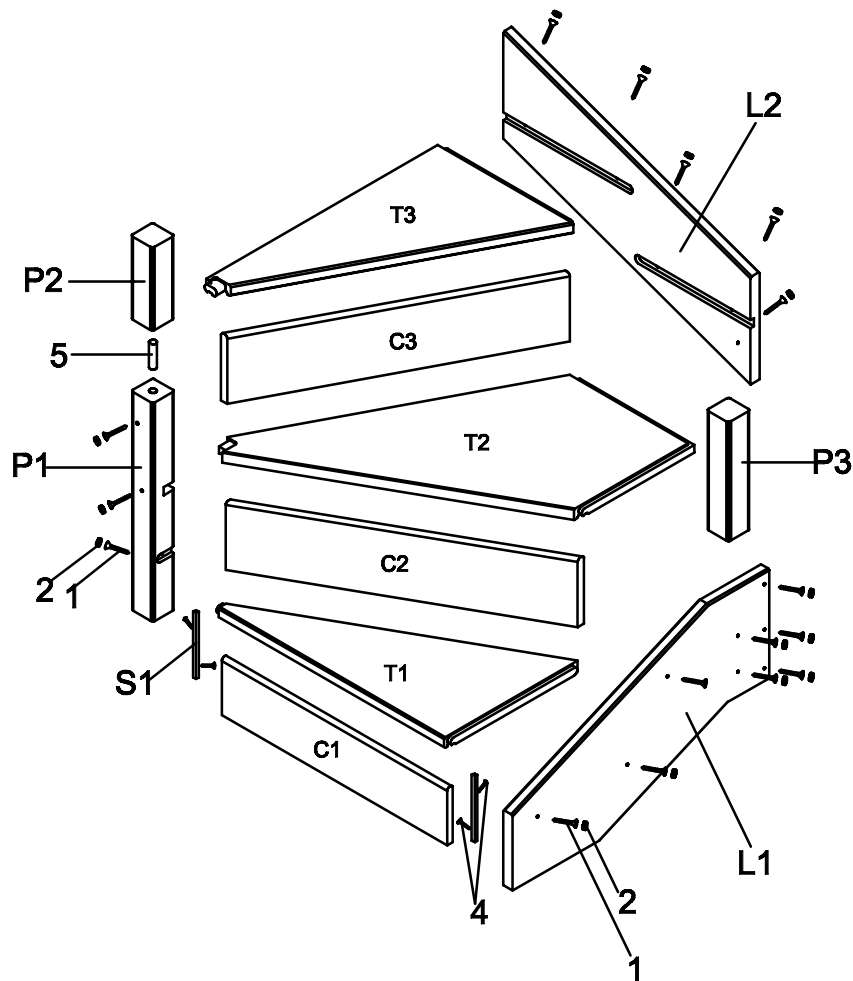










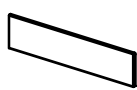

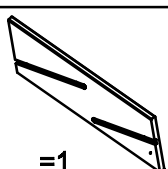

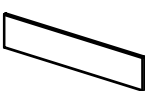



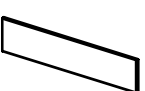


# OLEA SCARA QT JOS STANGA ANSAMBLU



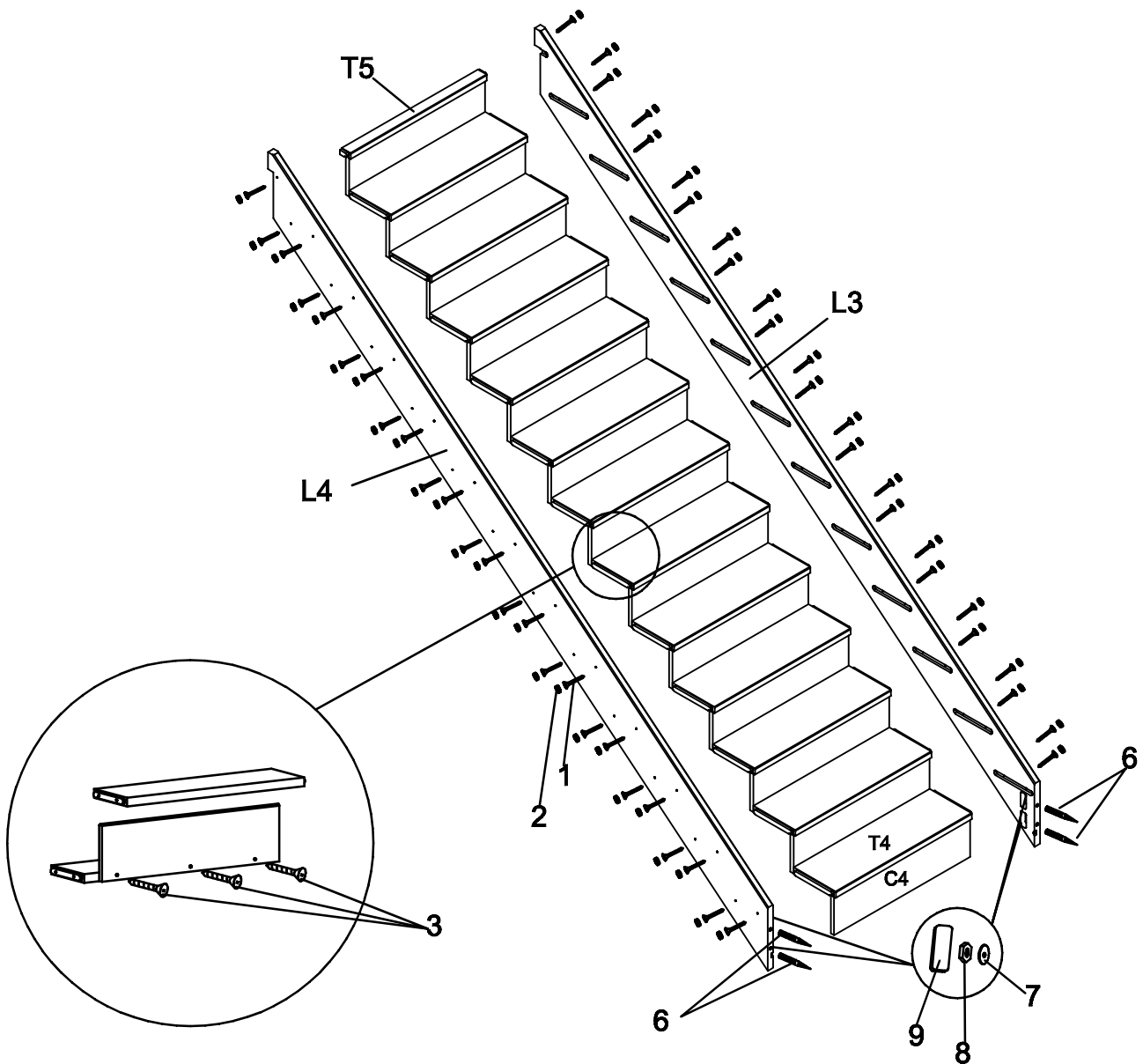
# OLEA QT JOS STANGA


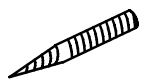

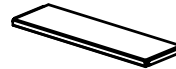


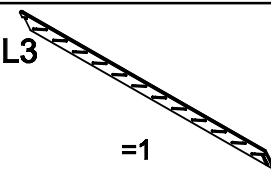



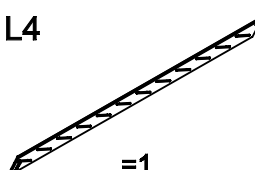



1  Ø5x60mm=16	5  Ø18=1	T2  =1	P3  =1	S1  =2
2  Ø12=16	L1  =1	T3  =1	C1  =1	
3  Ø4x40mm=6	L2  =1	P1  =1	C2  =1	
4  Ø3.5x25mm=4	T1  =1	P2  =1	C3  =1	








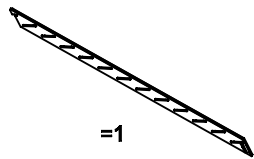


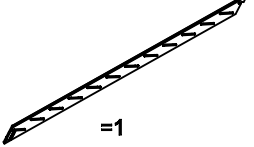
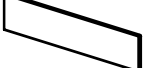


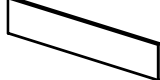

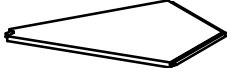
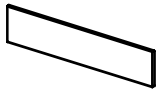


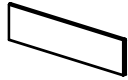





# OLEA

## PARTEA DREAPTA A SCARII QT JOS STANGA

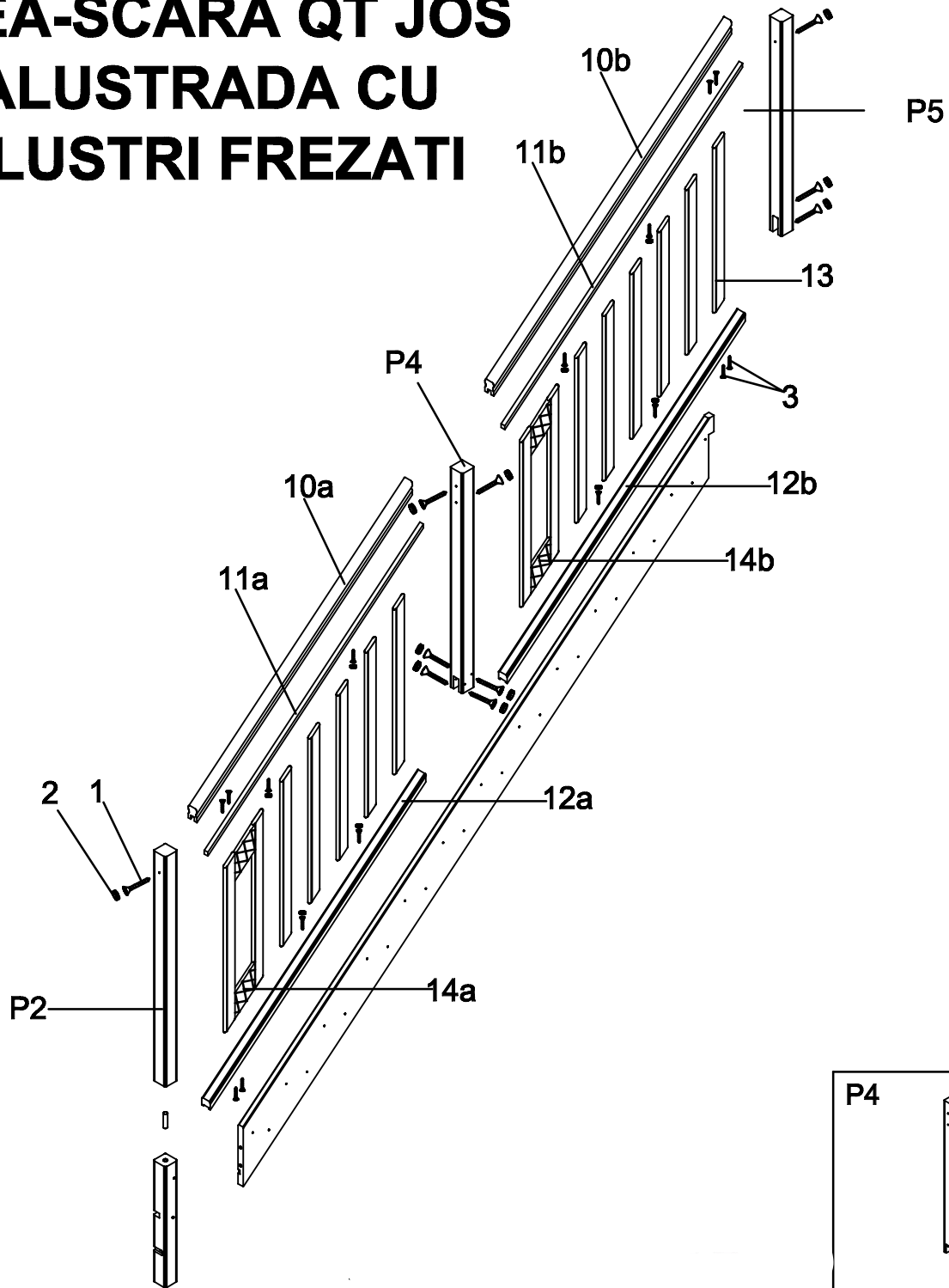




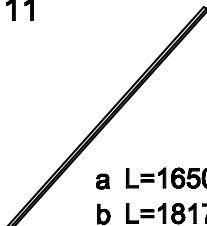



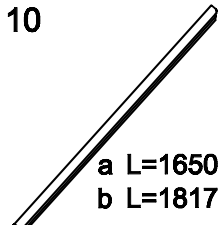
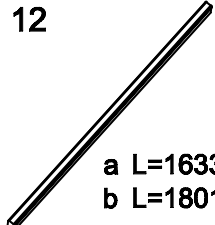


1  Ø5x60mm=50	6  M8x100mm=4	9  =4	T4  =12
2  Ø12=50	7  A8=4	L3  =1	T5  =1
3  Ø4x40mm=39	8  M8=4	L4  =1	C4  =13

# OLEA SCARA QT JOS STANGA ANSAMBLU

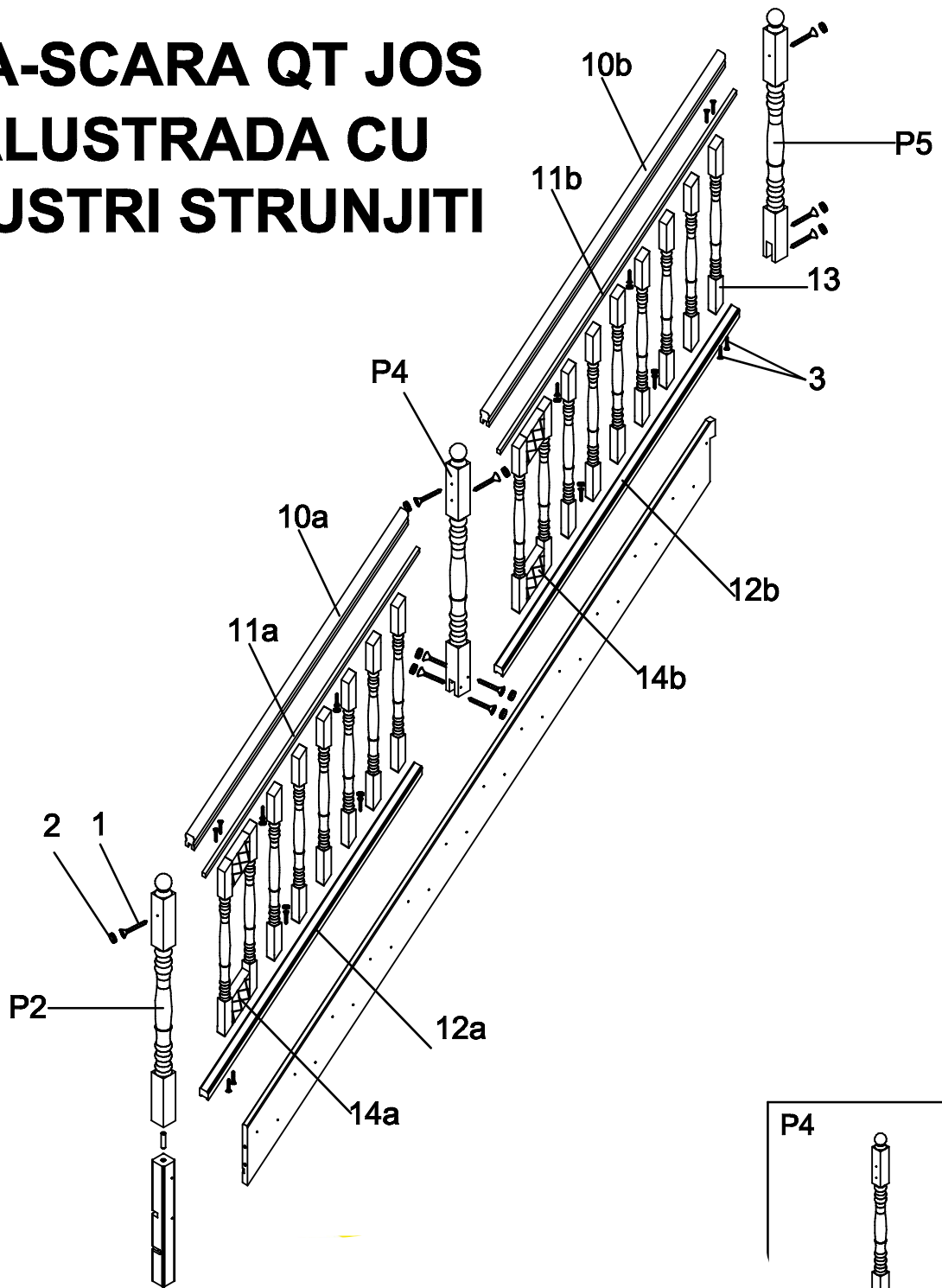
1  Ø5x60mm=66	L1  =1	P1  =1
2  Ø12=66	L2  =1	P2  =1
3  Ø4x40mm=45	L3  =1	P3  =1
4  Ø3.5x25mm=4	L4  =1	C1  =1
5  Ø18=1	T1  =1	C2  =1
6  M8x100mm=4	T2  =1	C3  =1
7  A8=4	T3  =1	C4  =13
8  M8=4	T4  =12	S1  =2
9  =4	T5  =1	



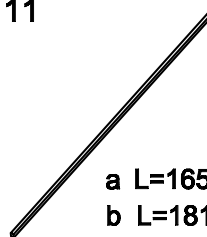



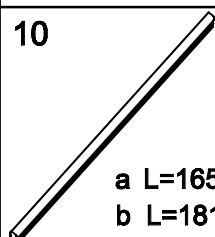
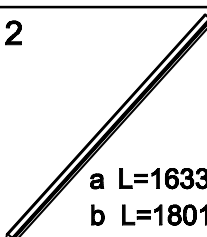


# OLEA-SCARA QT JOS BALUSTRADA CU BALUSTRI FREZATI



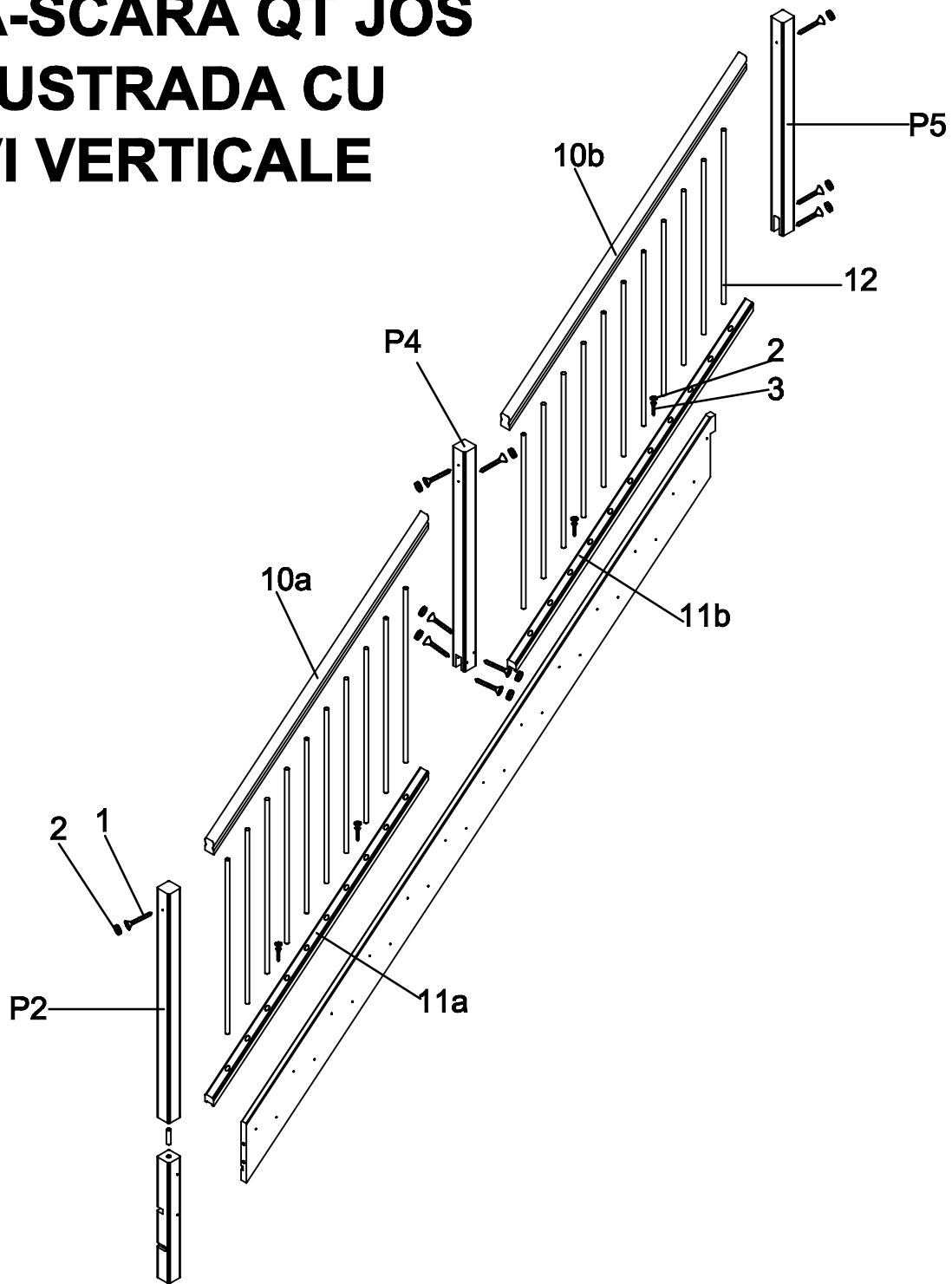
<p>1</p>  <p>Ø5x60mm=10</p>	<p>3</p>  <p>Ø4x40mm=68</p>	<p>11</p>  <p>a L=1650 =1 b L=1817 =1</p>	<p>13</p>  <p>=15</p>	<p>P5</p>  <p>=1</p>
<p>2</p>  <p>Ø12=18</p>	<p>10</p>  <p>a L=1650 =1 b L=1817 =1</p>	<p>12</p>  <p>a L=1633 =1 b L=1801 =1</p>	<p>P2</p>  <p>=1</p>	<p>14</p>  <p>a L=133mm =2 b L=129mm =2</p>



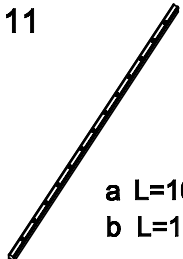



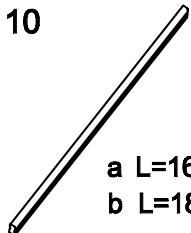


# OLEA-SCARA QT JOS BALUSTRADA CU BALUSTRI STRUNJITI



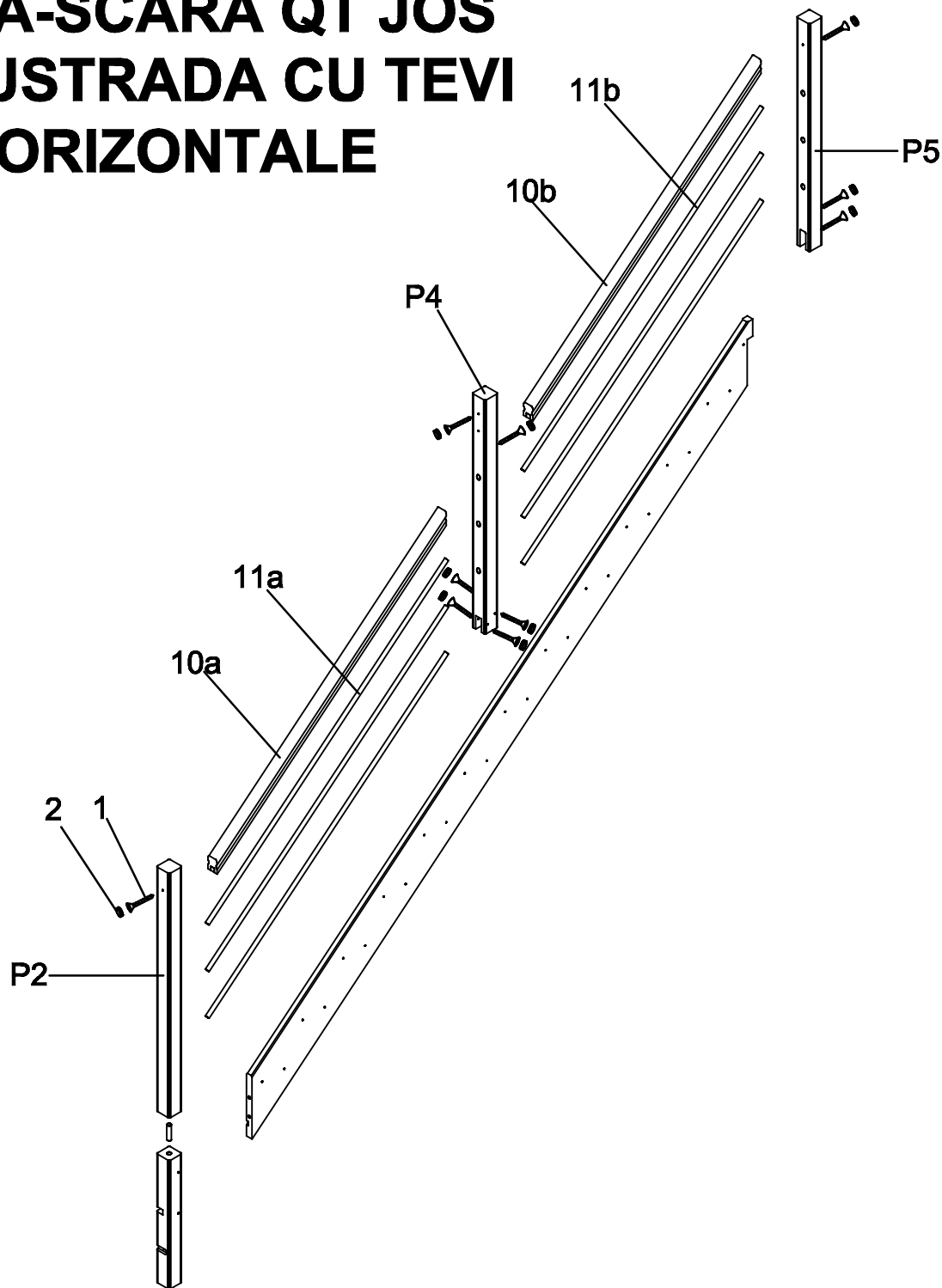
<p>1</p>  <p>Ø5x60mm=10</p>	<p>3</p>  <p>Ø4x40mm=76</p>	<p>11</p>  <p>a L=1650 =1 b L=1817 =1</p>	<p>13</p>  <p>=17</p>	<p>P4</p>  <p>=1</p>
<p>2</p>  <p>Ø12=18</p>	<p>10</p>  <p>a L=1650 =1 b L=1817 =1</p>	<p>12</p>  <p>a L=1633 =1 b L=1801 =1</p>	<p>P2</p>  <p>=1</p>	<p>14</p>  <p>a L=131mm =2 b L=129mm =2</p>


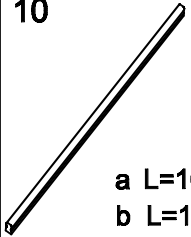



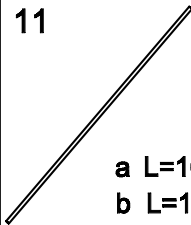

# OLEA-SCARA QT JOS BALUSTRADA CU TEVI VERTICALE



1  Ø5x60mm=10	3  Ø4x40mm=4	11  a L=1654 =1 b L=1822 =1	P2  =1	P5  =1
2  Ø12=14	10  a L=1650 =1 b L=1817 =1	12  Ø18=21	P4  =1	

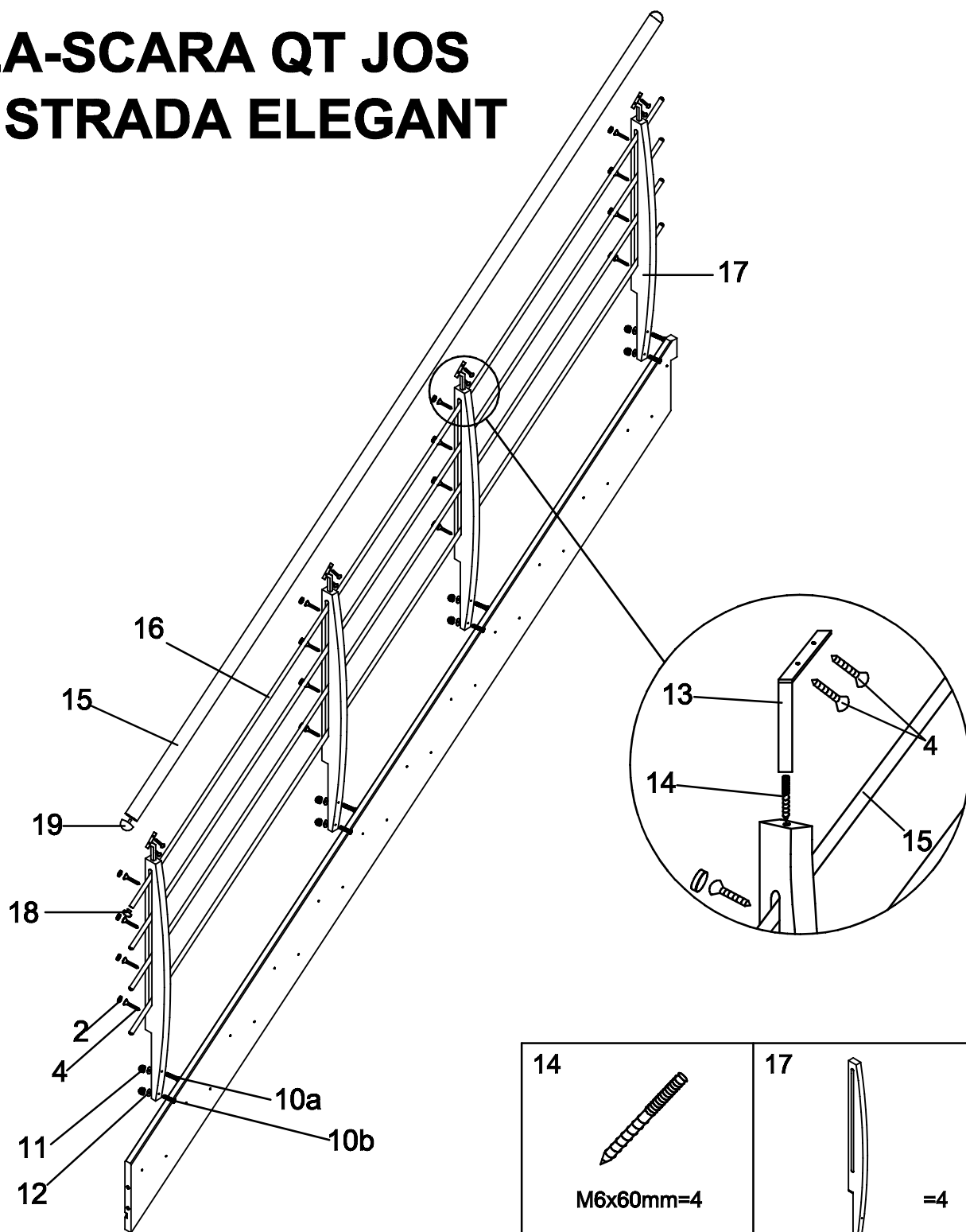
# OLEA-SCARA QT JOS BALUSTRADA CU TEVI ORIZONTALE



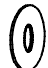
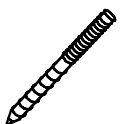




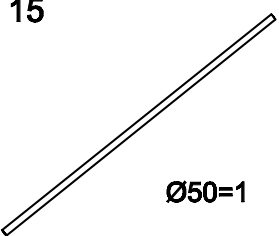

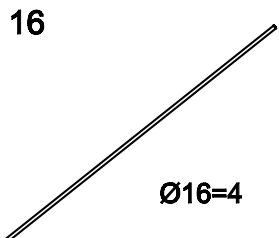



<p>1</p>  <p>Ø5x60mm=10</p>	<p>10</p>  <p>a L=1650 =1 b L=1817 =1</p>	<p>P2</p>  <p>=1</p>	<p>P5</p>  <p>=1</p>
<p>2</p>  <p>Ø12=10</p>	<p>11</p>  <p>Ø18 a L=1664 =1 b L=1832 =1</p>	<p>P4</p>  <p>=1</p>	

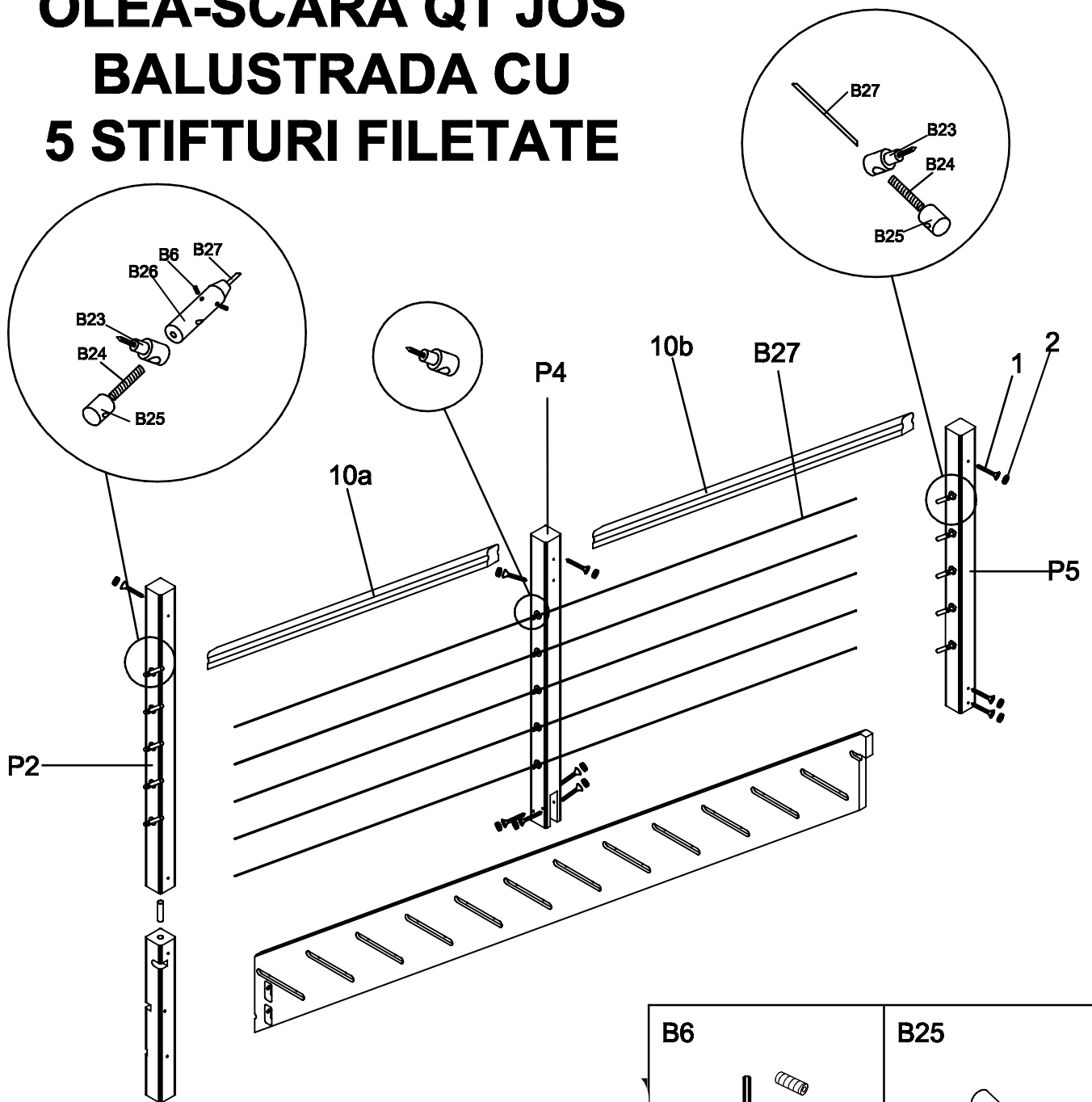





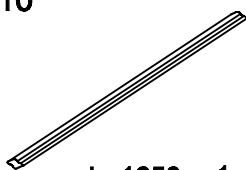








# OLEA-SCARA QT JOS BALUSTRADA ELEGANT



<p>2</p>  <p>Ø12=16</p>	<p>10</p>  <p>a M6x90mm=4 b M6x70mm=4</p>	<p>12</p>  <p>A6=8</p>	<p>14</p>  <p>M6x60mm=4</p>	<p>17</p>  <p>=4</p>
<p>4</p>  <p>Ø3.5x25mm=24</p>	<p>11</p>  <p>M6=8</p>	<p>13</p>  <p>=4</p>	<p>15</p>  <p>Ø50=1</p>	<p>18</p>  <p>Ø16=8</p>
<p>16</p>  <p>Ø16=4</p>	<p>19</p>  <p>Ø50=2</p>			

# OLEA-SCARA QT JOS BALUSTRADA CU 5 STIFTURI FILETATE



		<b>B6</b>  HEX 3=1 M6x6mm=15		<b>B25</b>  =10	
<b>1</b>  Ø5x60mm=10	<b>10</b>  a L=1650 =1 b L=1817 =1	<b>P4</b>  =1	<b>B23</b>  =15	<b>B26</b>  =5	
<b>2</b>  Ø12=10	<b>P2</b>  =1	<b>P5</b>  =1	<b>B24</b>  M6x40mm=10	<b>B27</b>  Ø3.5=5	