

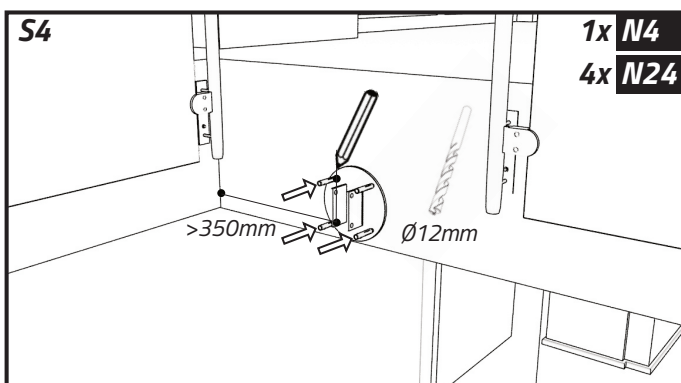
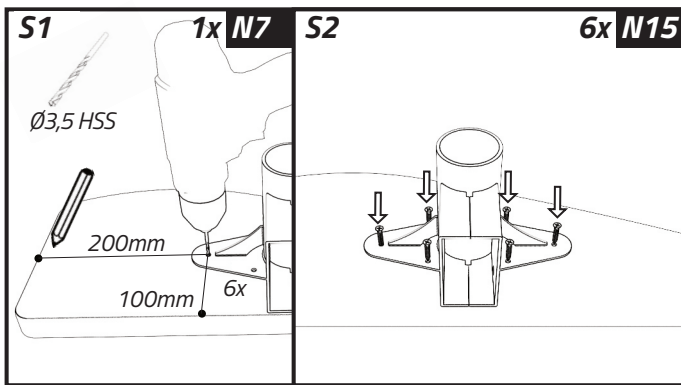
Minka Nizza

EB-20-0604-01

1



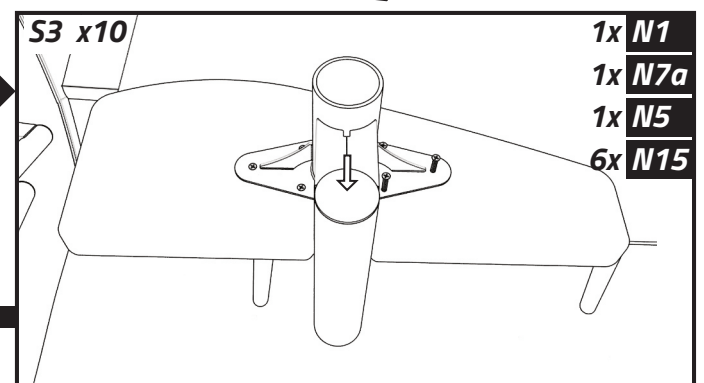
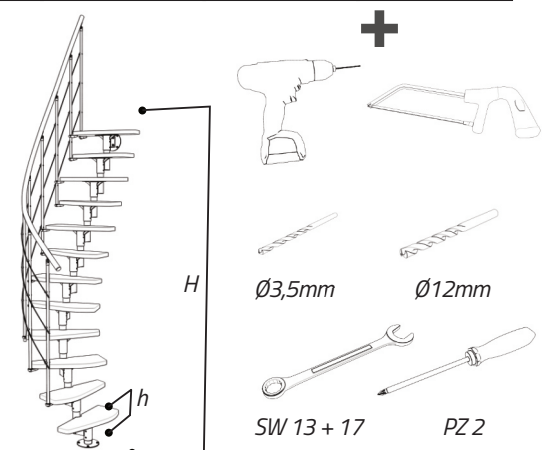
N1 1x	N2 1x	N3 1x	N4 1x	N5 11x	N6 10x
N7 1x	N7a 11x	N8 10x	N9 20x	N10 4x	N11 8x
N12 20x	N13 24x	N14 2x	N15 72x	N16 60x	N17 10x
N18 20x	N19 10x	N20 10x	N21 20x	N22 8x	N23 2x
N24 8x	N25 1x	N26 2x	N27 10x	N28 10x	N29 6x
N30 6x	N31 30x	N32 30x	N33 3x	N1-N33 OK?	
				START	



H:h

$h_{max} = 226\text{mm}$
 $h_{min} = 172\text{mm}$

$H_{max} = 2938\text{mm}$
(13 x h_{max})
 $H_{min} = 2236\text{mm}$
(13 x h_{min})



2

