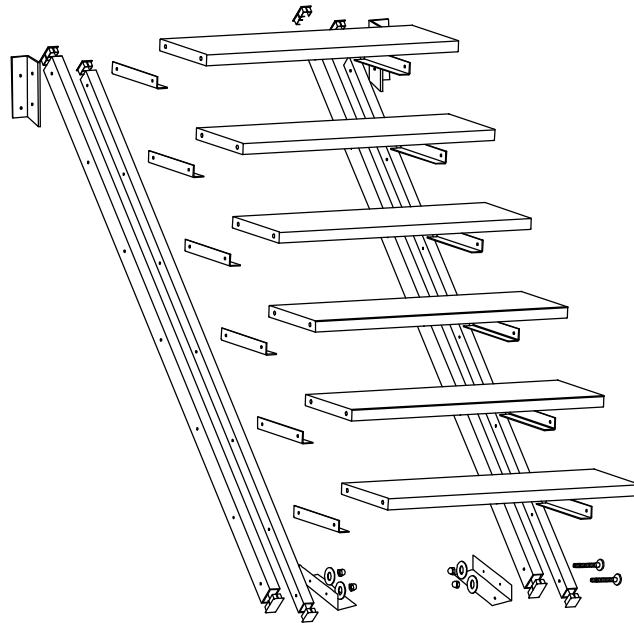
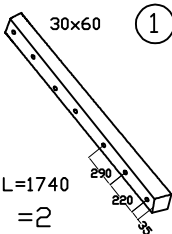
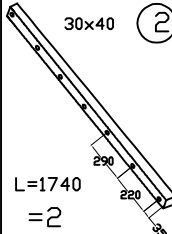
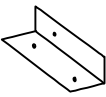





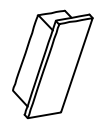



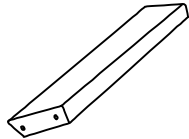


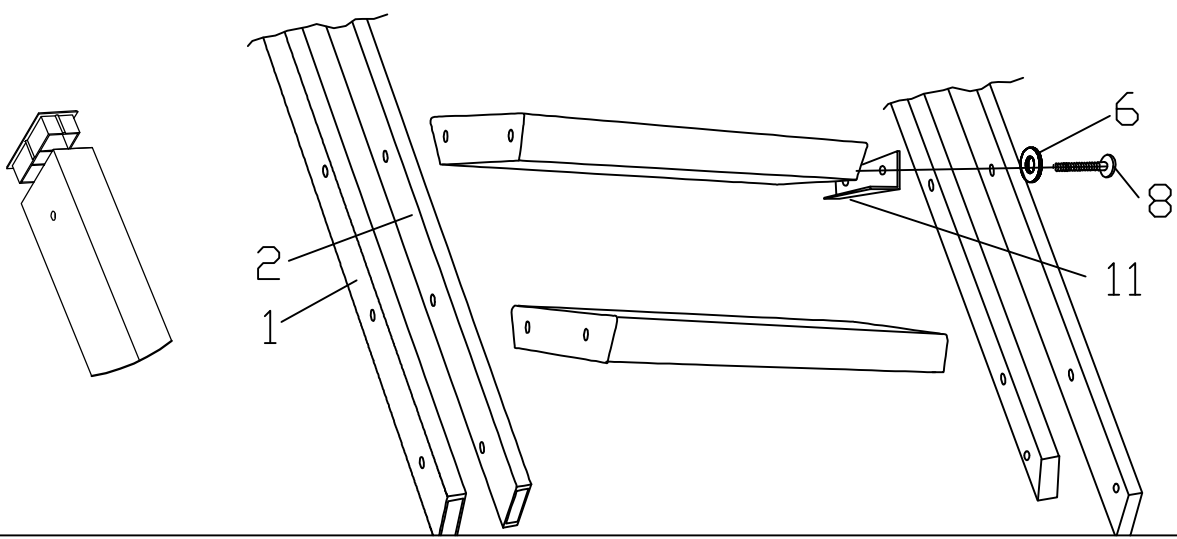
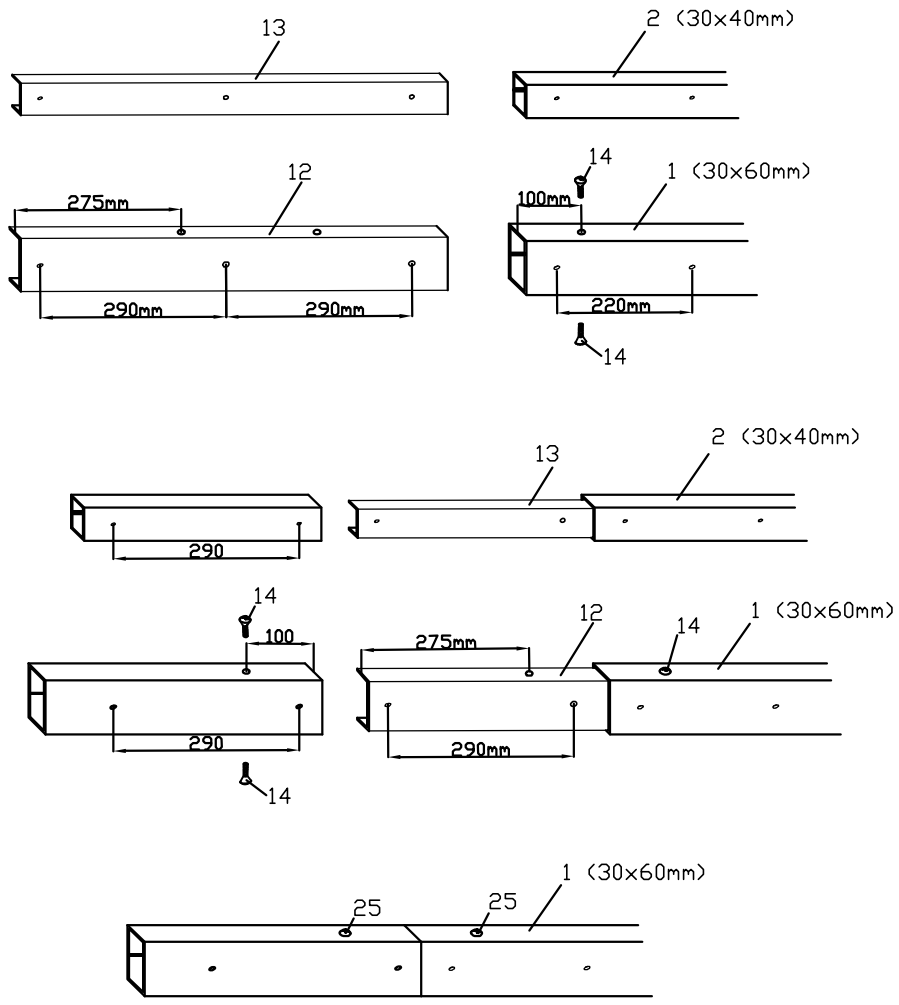
Synth 6 treads



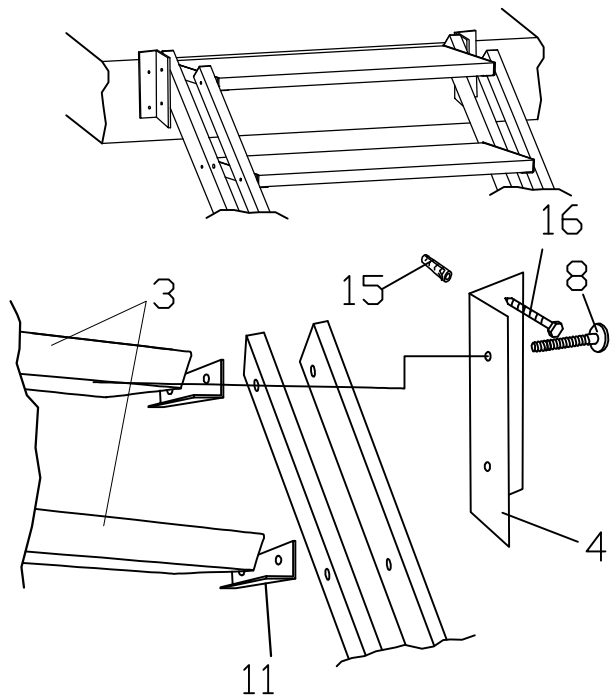
 <p>30x60 ① L=1740 =2</p>	 <p>30x40 ② L=1740 =2</p>	 <p>③ =2</p>	 <p>④ =2</p>	 <p>⑤ M6x40 =4</p>	<p>A6 ⑥ 0 6TREADS=28</p>	 <p>⑦ M6 =4</p>
 <p>⑧ M6x50 6TREADS=24</p>	 <p>⑨ 30x40 =4</p>	 <p>⑩ 30x60 =4</p>	 <p>⑪ 6TREADS=12</p>			
 <p>⑮ Ø 10 =8</p>	 <p>⑯ 6x80 =8</p>	<p>TREADS</p> 				

Trepte	n		H mm				R	
	a	b	min		max		max	min
			a	b	a	b		
14	14	15	2544	2724	2956	3166	3410	3032
13	13	14	2364	2544	2746	2956	3183	2832
12	12	13	2184	2364	2536	2746	2955	2632
11	11	12	2004	2184	2326	2536	2728	2432
10	10	11	1824	2004	2116	2326	2501	2232
9	9	10	1644	1824	1906	2116	2273	2032
8	8	9	1464	1644	1696	1906	2046	1832
7	7	8	1284	1464	1486	1696	1819	1632
6	6	7	1104	1284	1276	1486	1591	1432
5	5	6	924	1104	1066	1276	1364	1232
4	4	5	744	924	856	1066	1136	1032

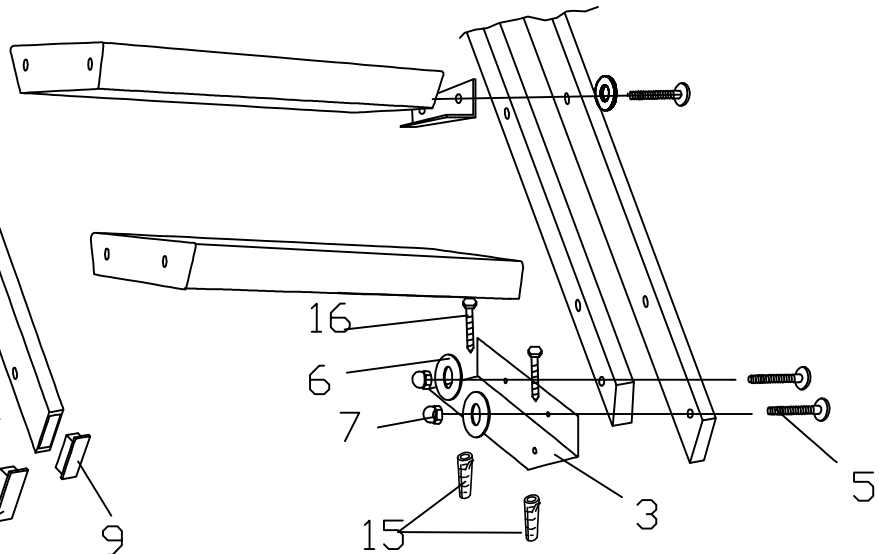
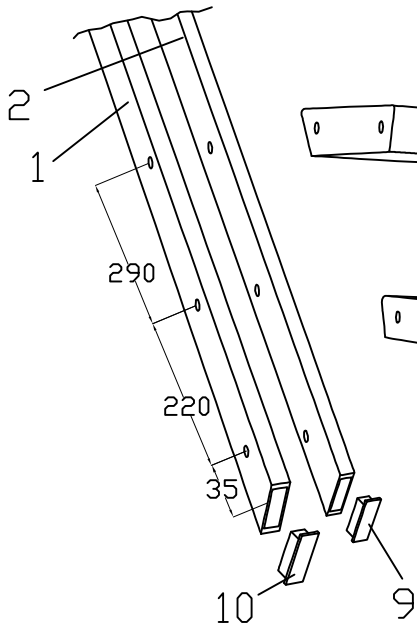
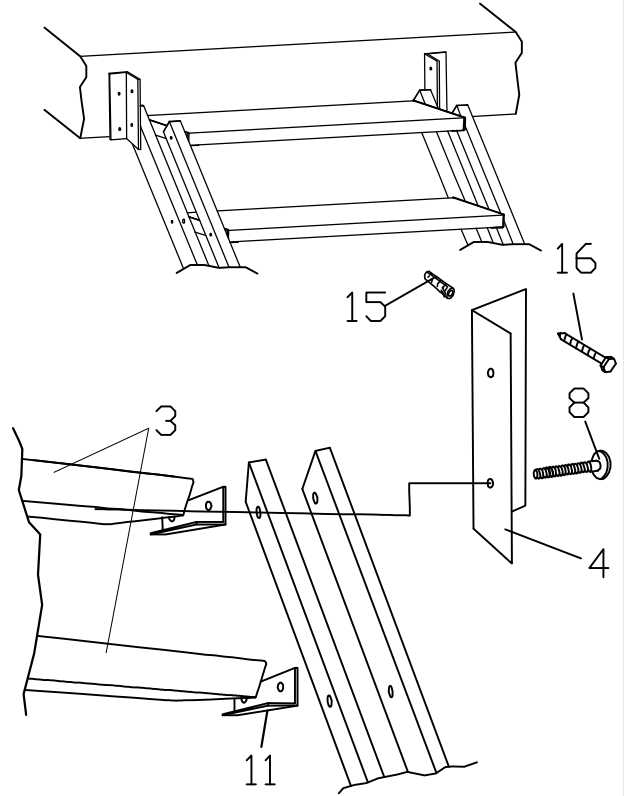
FOR 12, 13, 14
TREADS



a



b



Synth 6 treads