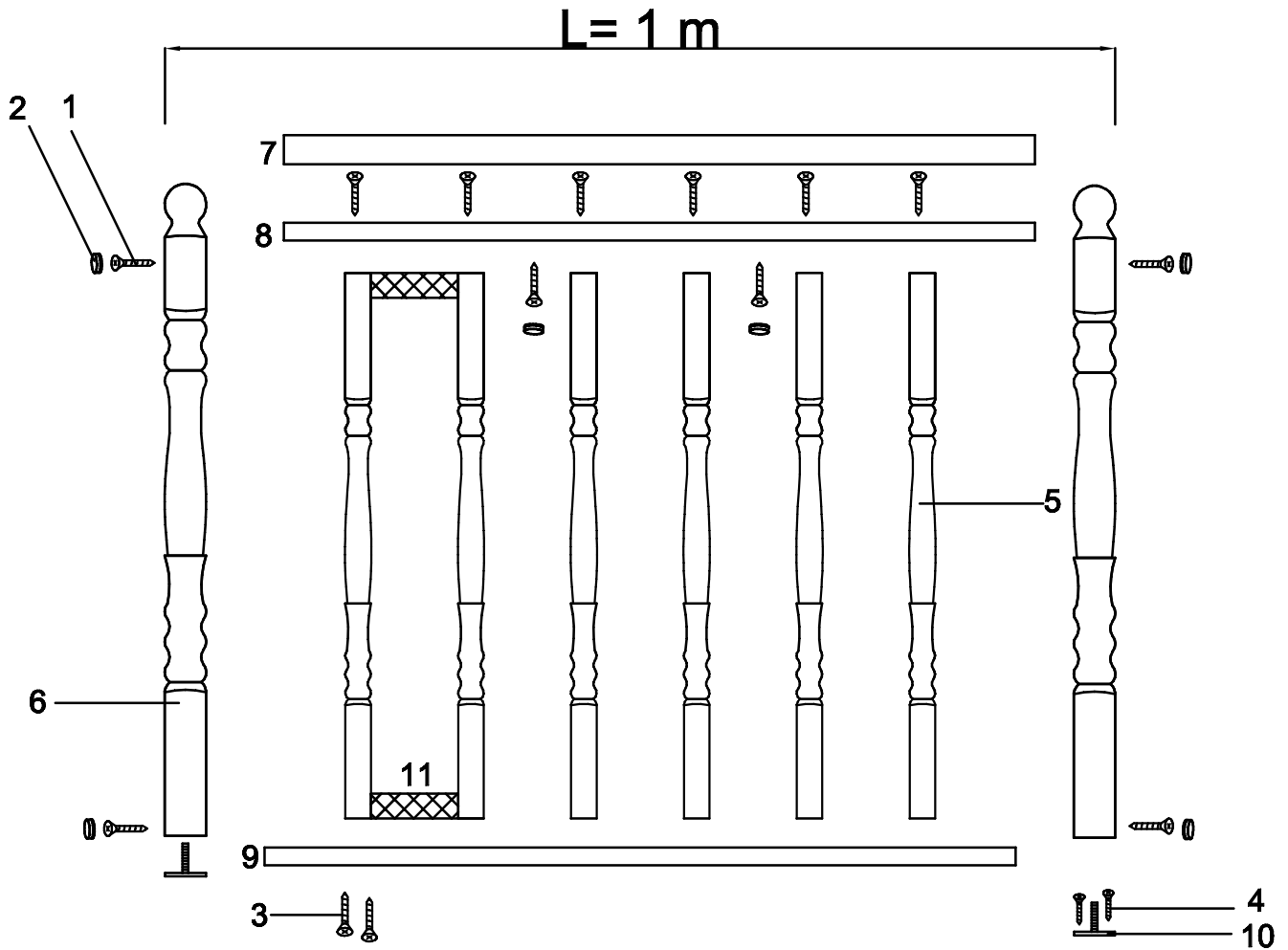


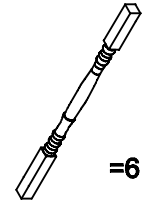
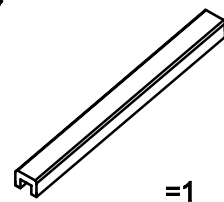
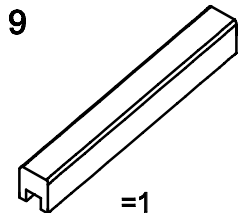


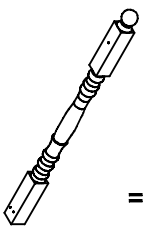
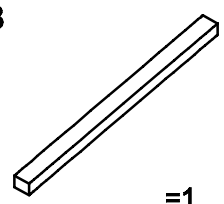


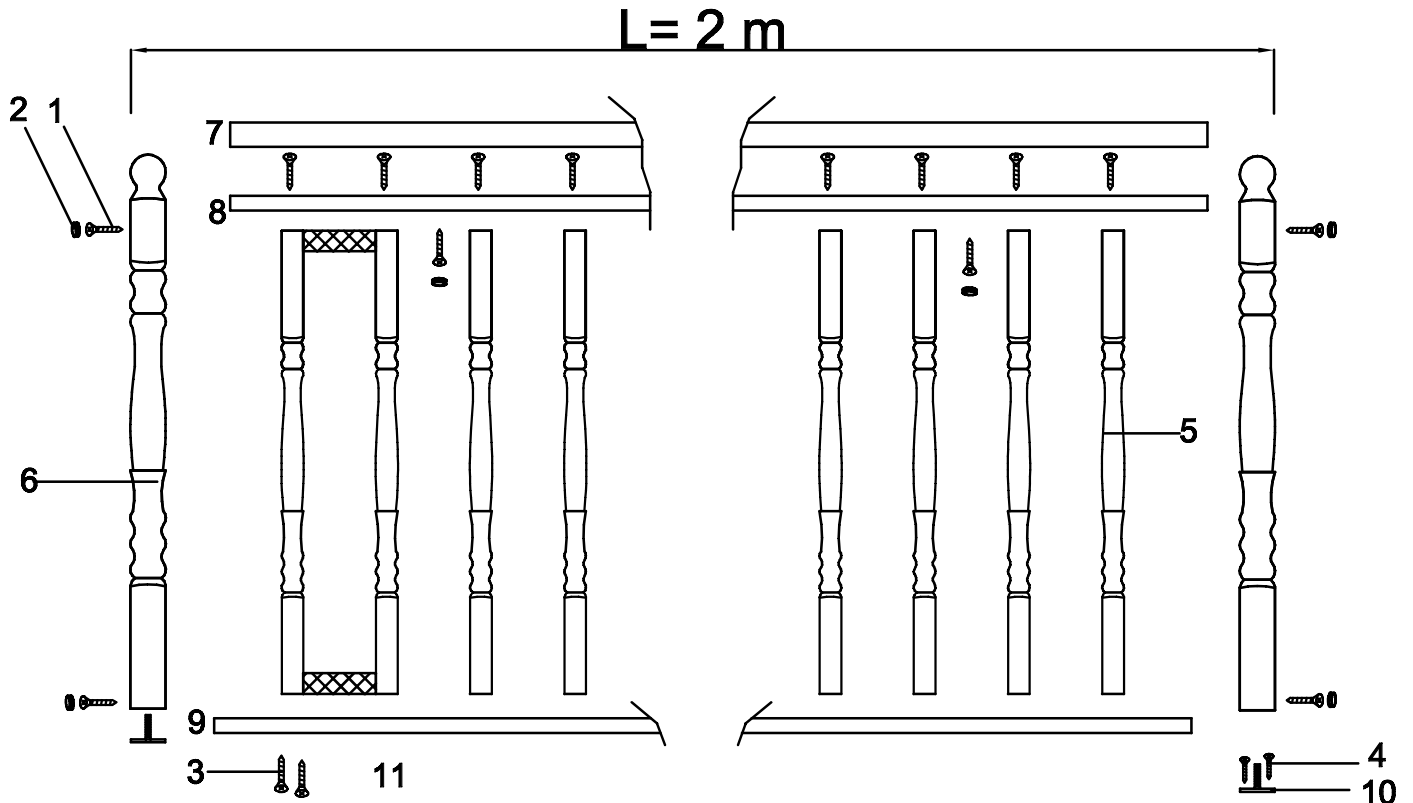



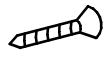
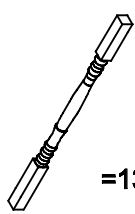
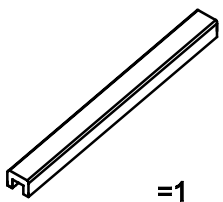
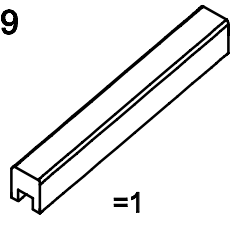

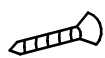
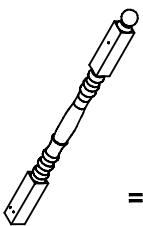
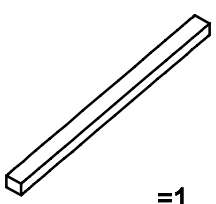
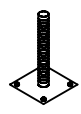
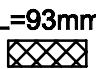
OLEA - GARDA DE CORP CU BALUSTRI STRUNJITI L=1M



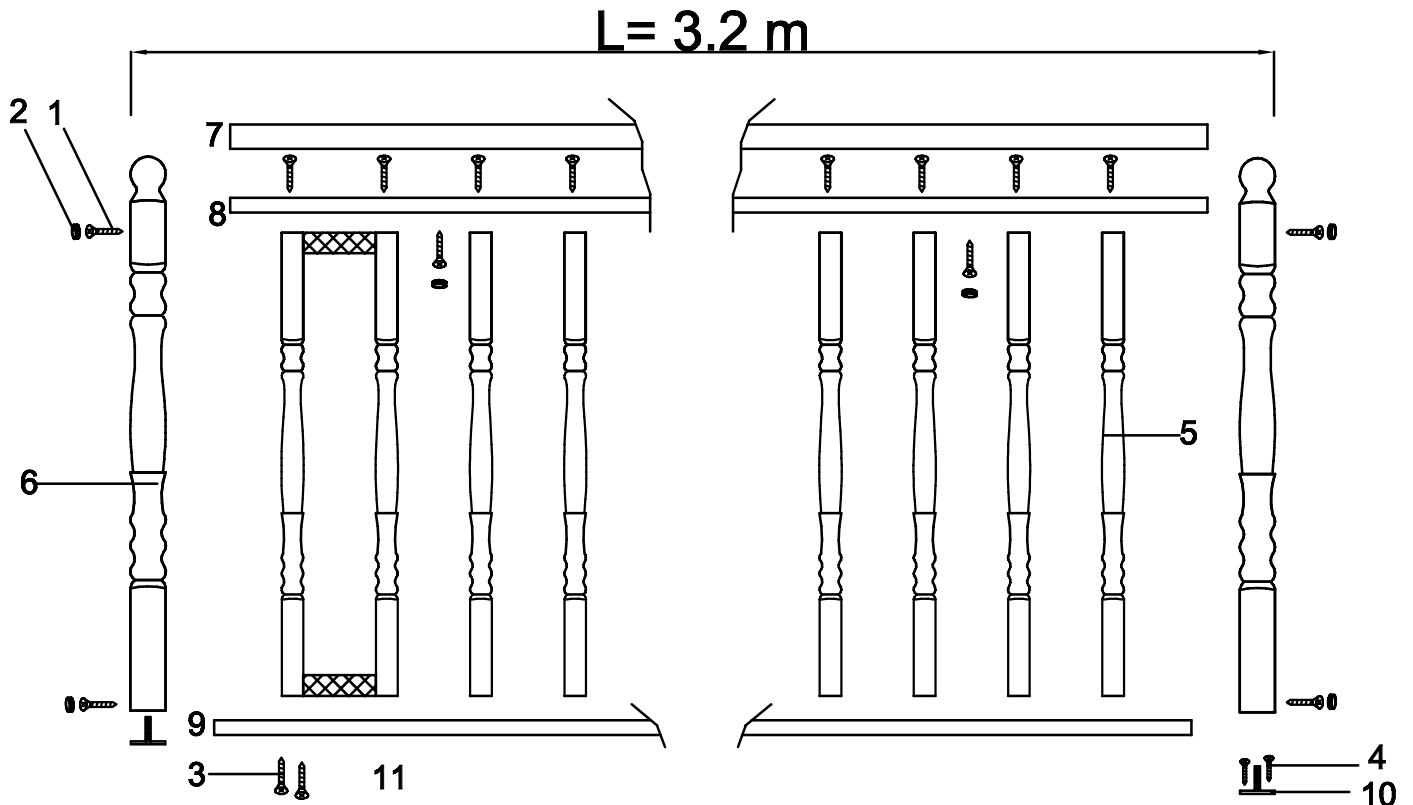
1  Ø5x60mm=6	3  Ø4x40mm=20	5  =6	7  =1	9  =1	
2  Ø12=8	4  Ø4x45mm=8	6  =2	8  =1	10  =2	11  L=86mm =2



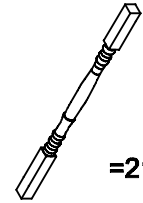
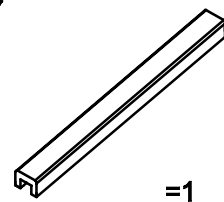
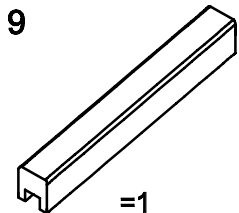


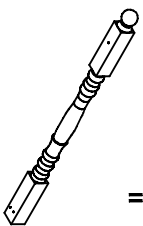
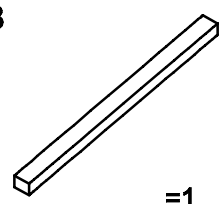
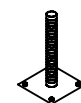
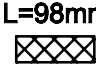
OLEA - GARDA DE CORP CU BALUSTRI STRUNJITI L=2M



1  Ø5x60mm=6	3  Ø4x40mm=43	5  =13	7  =1	9  =1	
2  Ø12=10	4  Ø4x45mm=8	6  =2	8  =1	10  =2	11  L=93mm =2

OLEA - GARDA DE CORP CU BALUSTRI STRUNJITI L=3.2M



1  Ø5x60mm=6	3  Ø4x40mm=67	5  =21	7  =1	9  =1	
2  Ø12=10	4  Ø4x45mm=8	6  =2	8  =1	10  =2	11  L=98mm =2