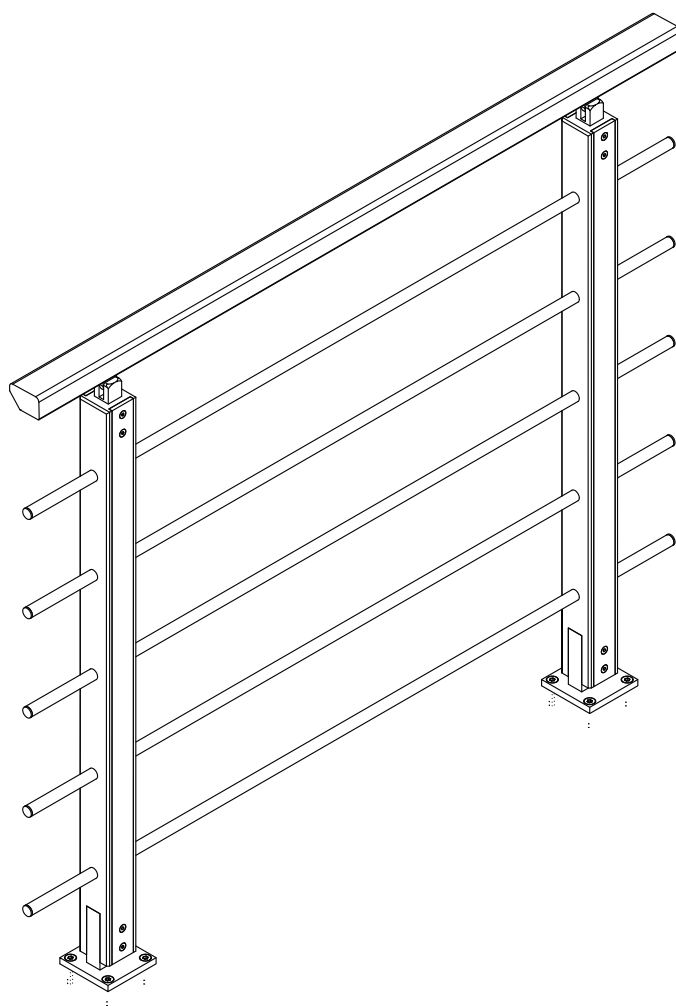
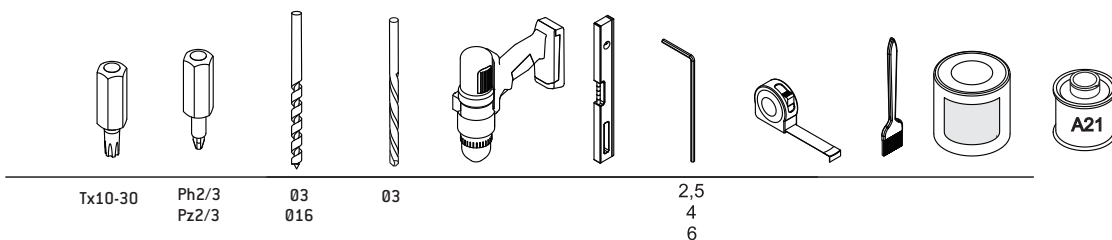


AUVERGNE/BRETAGNE



- ® AUVERGNE/BRETAGNE GARDE-CORPS BI-MATIERE TYPE "H" 120CM
- ® AUVERGNE/BRETAGNE BORSTWERINGEN TYPE "H" BEUK/ALU 120CM
- ® AUVERGNE/BRETAGNE WOOD/ALUMINIUM BALCONY BALUSTRADE TYPE "H" 120CM
- ® AUVERGNE/BRETAGNE BRÜSTUNGSGELÄNDER TYP "H" BUCHE/ALU 120CM
- ® AUVERGNE/BRETAGNE GUARDACUERPO MADERA/ALUMINIO TIPO "H" 120CM
- ® AUVERGNE/BRETAGNE PEITORIL FAIA ALUMINIO TIPO "H" 120CM
- ® AUVERGNE/BRETAGNE GARDA DE CORP LEMN/ALUMINIU TIP "H" 120CM

| | | | | | |
|-----------------------------------|-----------------------------------|--------------------------------|---------------------------------|-------------------------------|------------------------------|
| 01 55x55x919.3mm x2 | 02 35x35x1200 mm x1 | 03 6x40x897mm x2 | 04 Ø16x1200 mm x5 | 05 Ø16x12mm x10 | 06 M6x20mm x8 |
| 09 Ø4.2x38mm x10 | 10 Ø3x19mm x4 | 11 Ø10x60mm x8 | 12 40x99x23mm x1 | 07 Ø16x131mm x2 | 08 Ø6x80 mm x8 |



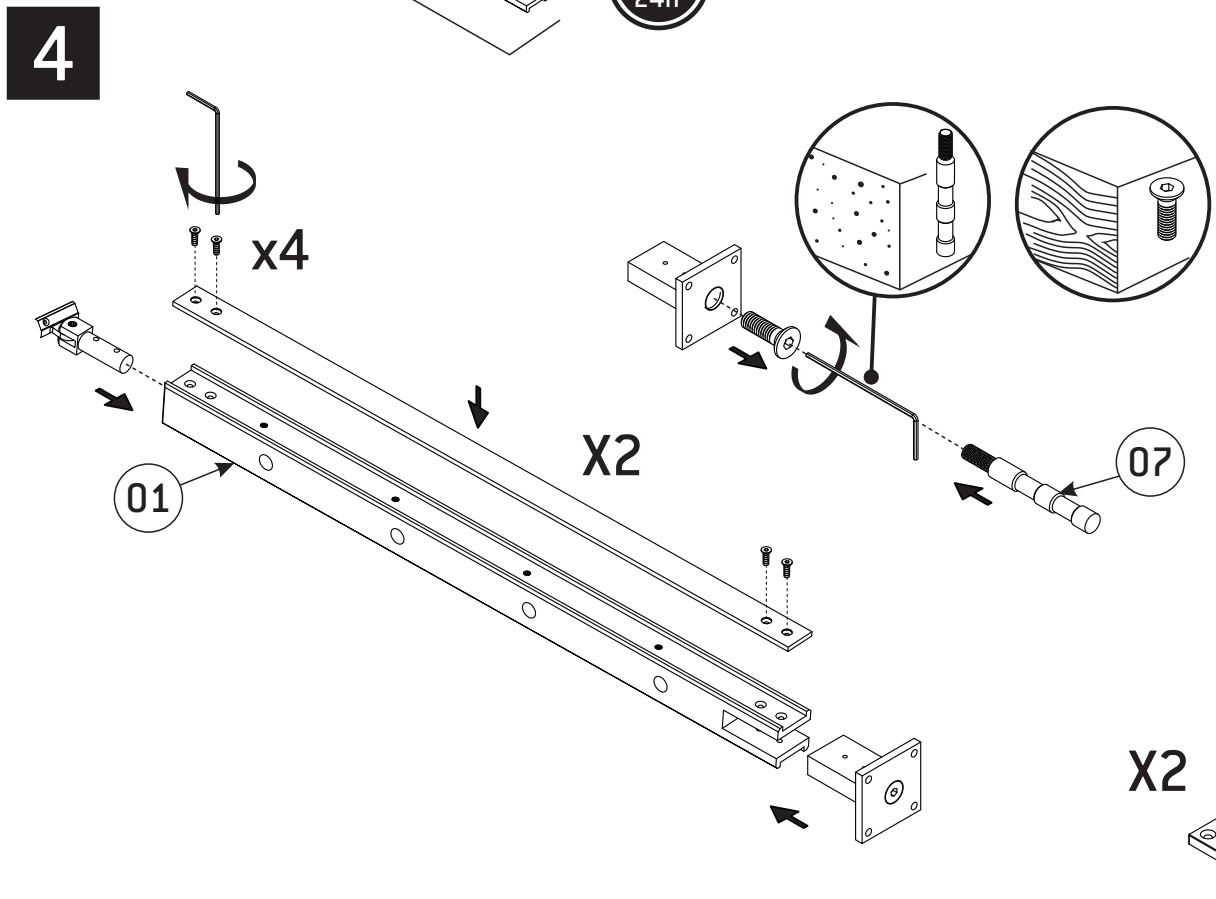
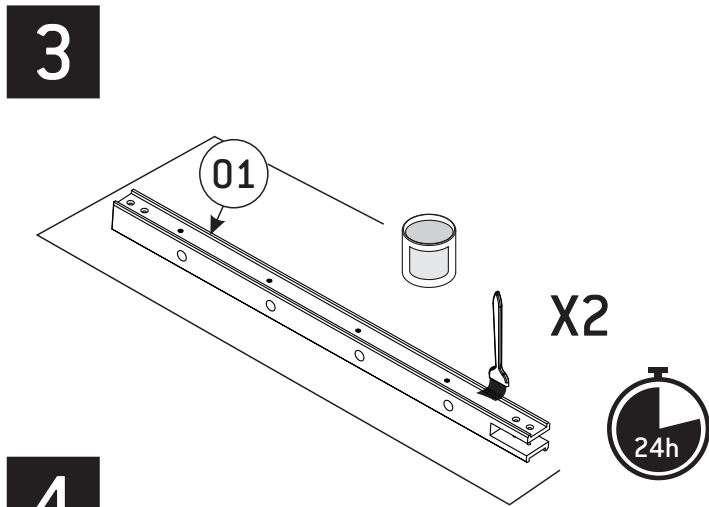
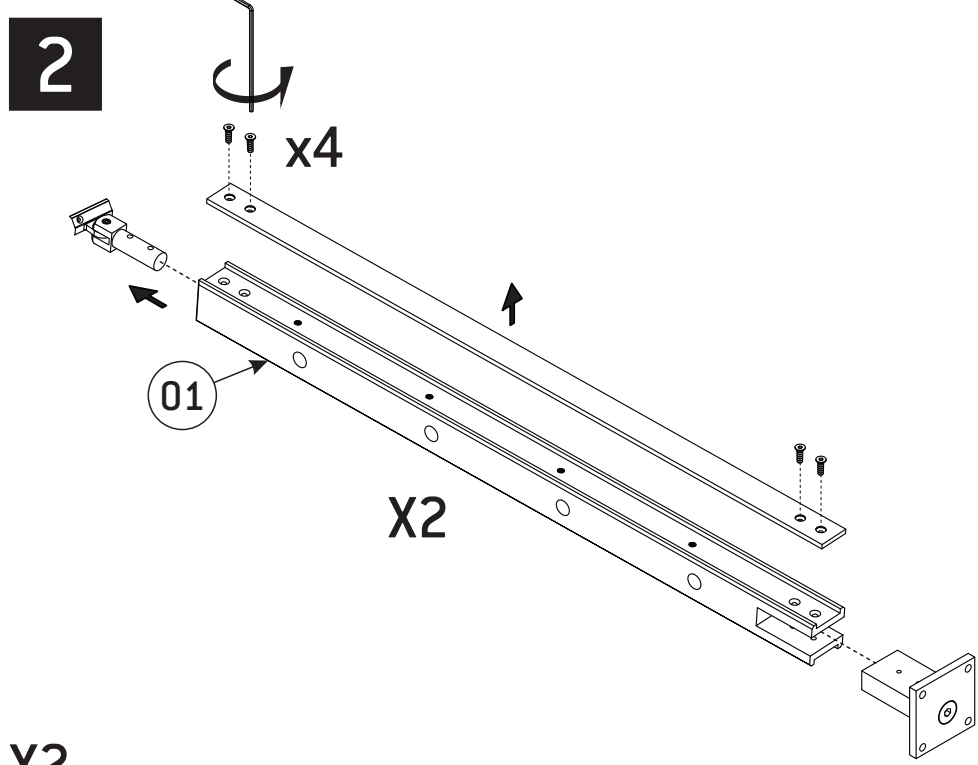
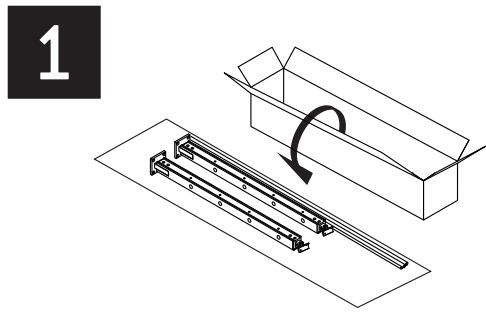
Tx10-30

Ph2/3
Pz2/3

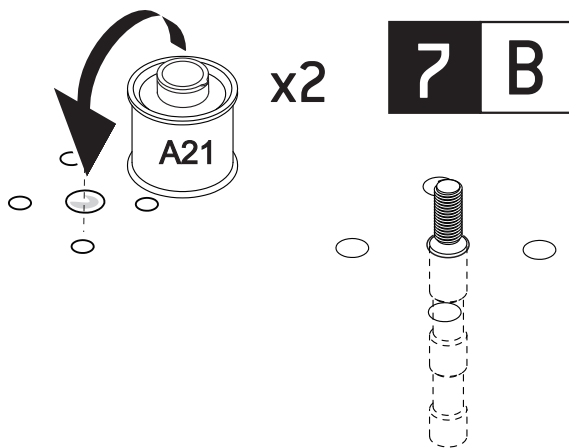
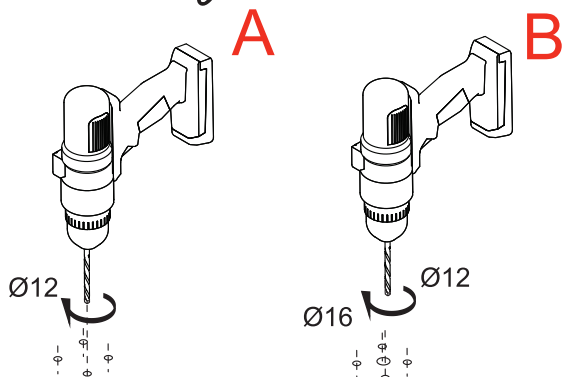
Ø3
Ø16

Ø3

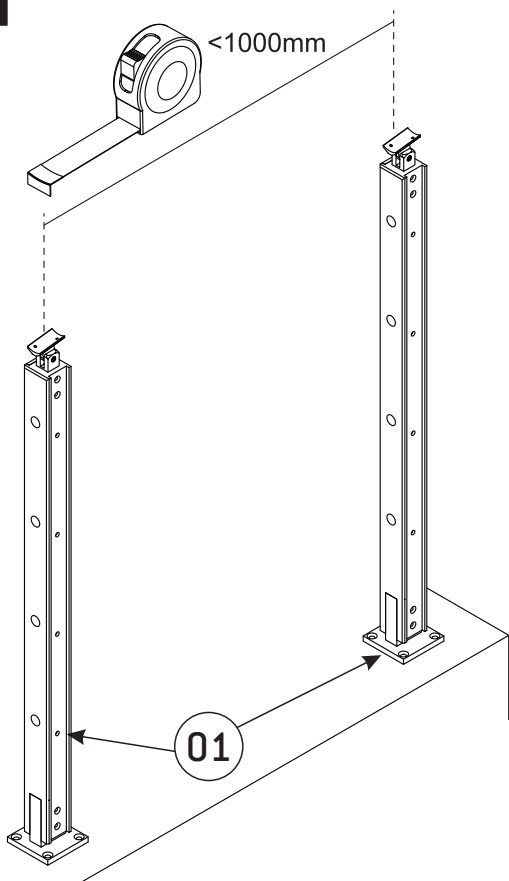
2,5
4
6



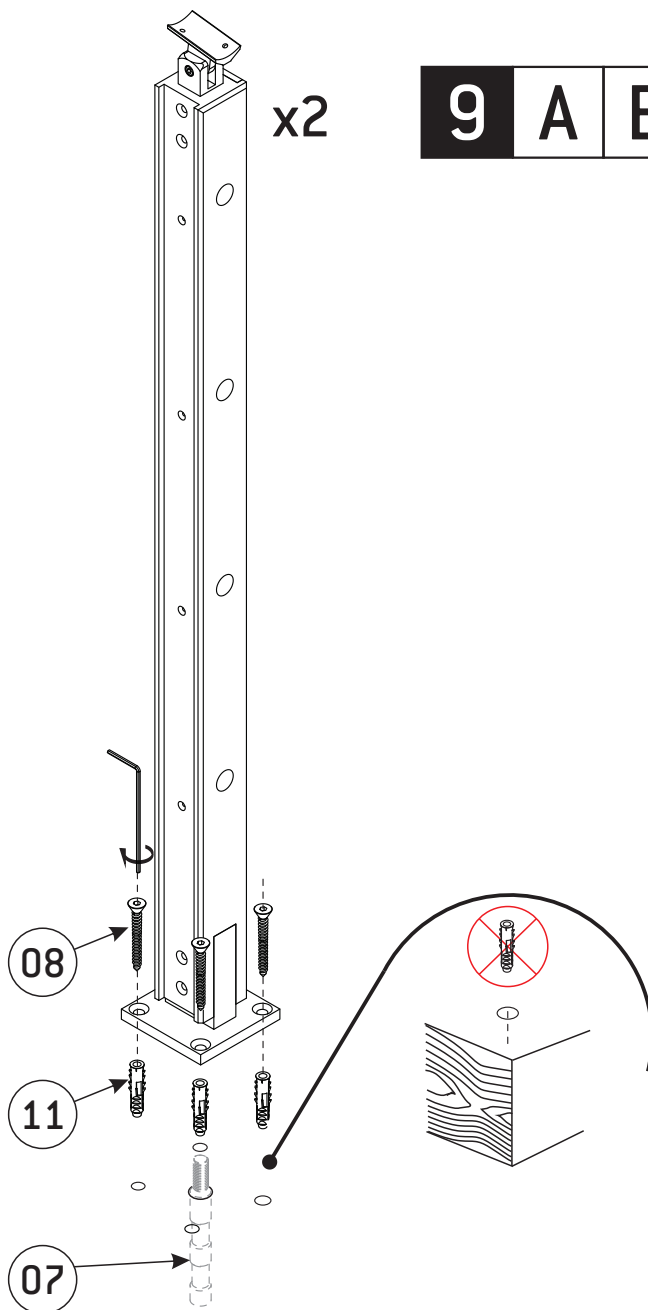
6

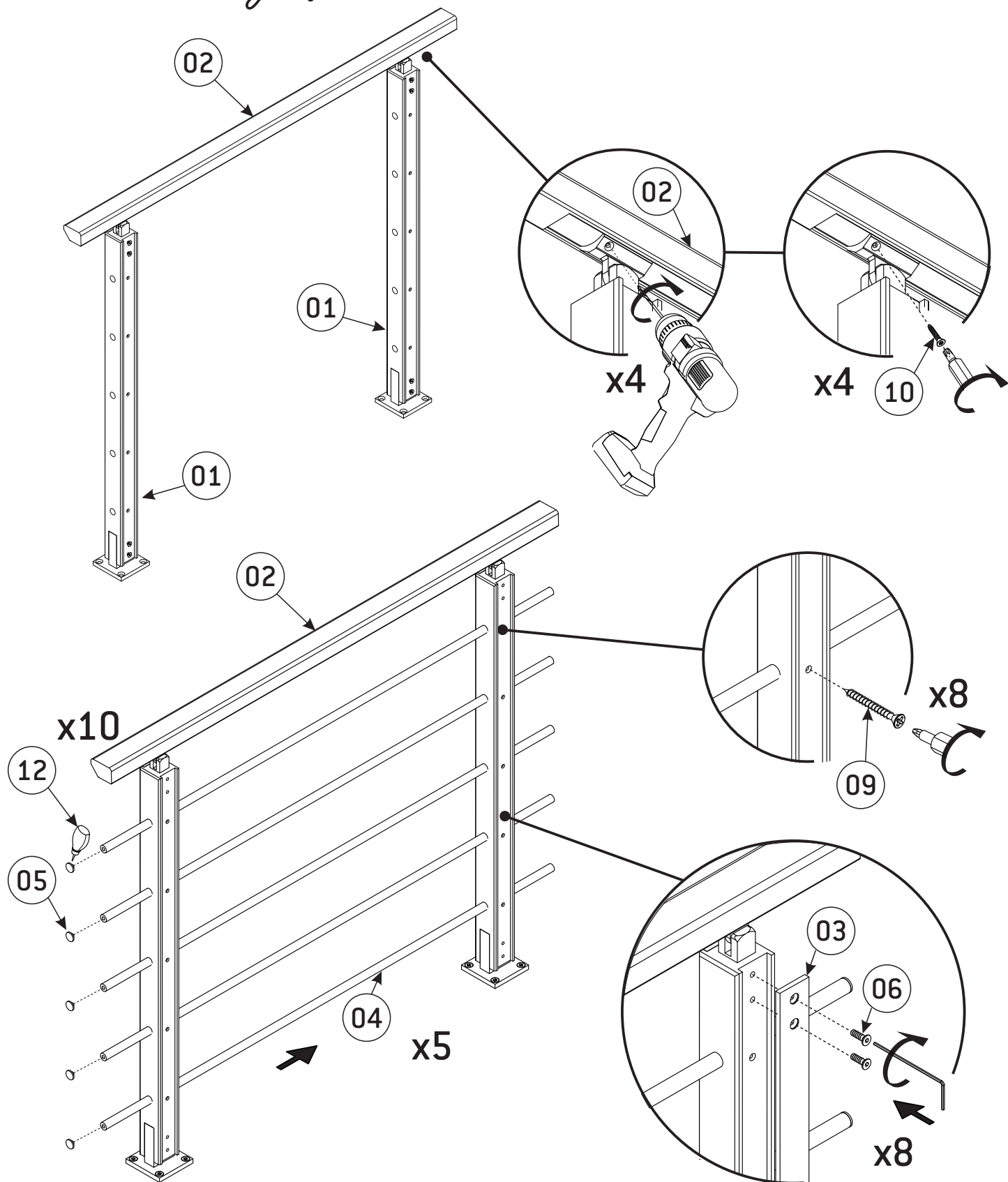


8



9 A B





RUE GRIMARD, 39 B-6061 MONTIGNIES-SUR-SAMBRE (CHARLEROI) - BELGIUM
 TEL: +32/71/25.39.60 FAX: +32/71/25.39.72 E-MAIL: info@sogem-sa.com