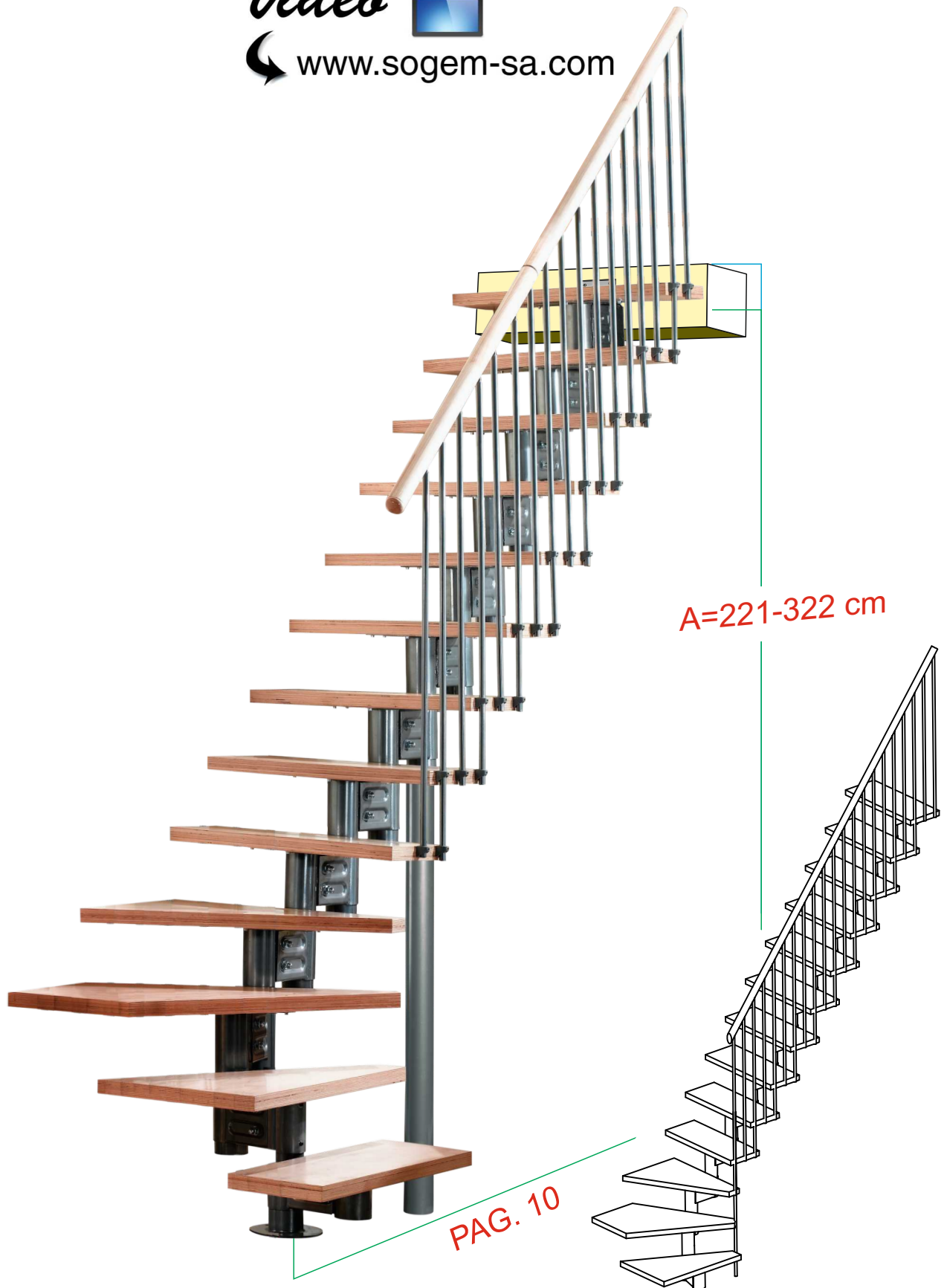




Video

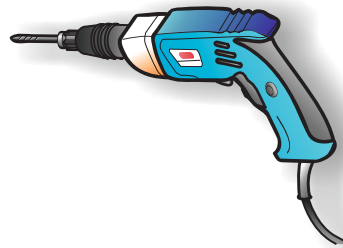
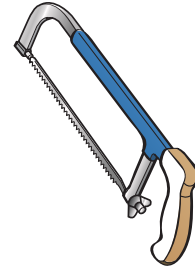
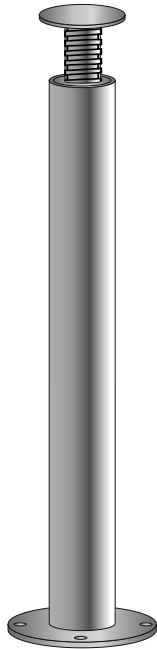
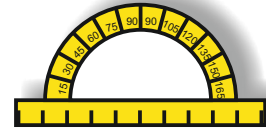


↪ www.sogem-sa.com



EUREKA 1/4T

01 OG075075340  Ø75x340mm =1	02 OG100360450  100x360x450mm =1	03 OG150360450  150x360x450mm =1	04 PG090090025 PG090090022  a Ø90xØ70x25mm =11 b Ø90xØ70x22mm = 1	05 OG450360405  450x360x405mm =10
06 OG450350405  450x350x405mm =1	07 ON010010010  M10x10 mm =28	08 OG003180350  3x180x350mm =1	09 OG008008085  Φ8x85mm =15	10 PG012012060  Ø12x60mm =15
11 OG008008016  M8x16mm =4	12 OA013013018  M8x18 mm =4	13 OA006006025 ON005030075  HEX 5 M6 x 25 mm hex 5mm =65 =1	14 OA012012002  Φ12xΦ6,5x1,6 mm =70	15 ON012012105  M12x105mm =25
16 OA024024003  Ø24xØ13x2,5mm =54	17 OA019019022  M12x22mm =54	18 OG018018112  Ø18x1120mm =10	19 OG018018102  Ø18x1020mm =10	20 PG033050036  33x50x36mm =31
21 LF050050115  Ø50x1155mm =3	22 LS050050041  Ø50x41mm =2	23 OG003003025  Ø3,5x25mm =42	24 PG016016094  Ø16x94mm =21	25 OG004004025  Ø4,5x25mm =62
26 OG004004035  Ø4,5x35mm =31	27 ON008008060  M8x60mm =2	28 PG018018018  Ø18x18mm =20	29 OG050085060  50x85x60mm =6	30 OG006006025  Ø6x25mm =8
31 OG006006060  Ø6x60mm =12	32 PG010010050  Ø10x50mm =12	33 PG096096045 PG014014004  a Ø96xØ88x45mm =24 b Ø14 x 4mm =24	34 OG018018112  L=1120mm M8 Ø18x1120mm =1	35 OG018018890  M8 L=890mm Ø18x890mm =1
36 PN027027015  Ø27x15mm =3	37 MF275040740 MF285040740  a 275x40x740mm =9 b 285x40x740mm =1	38 DMF740040470 GMF740040470  740x40x470mm =1	39 DMF530040105 GMF530040105  530x40x1050mm =1	40 DMF470040740 GMF470040740  470x40x740mm =1
41 OG019019914  Ø19x914mm =1	42 OG005005013  Ø4,8x13mm =35	43 OG018018082  Ø18x82mm =1	44 OG022022071  Ø22x71mm =1	45 OG075075130  0-550mm 1300mm Hmax=1850mm Ø75x1300mm =1



Pz2, Pz3

Ph2, Ph3



13 mm
17 mm
19 mm



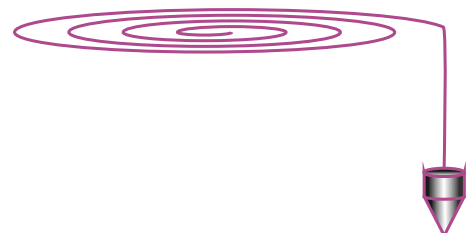
Pz2
Pz3



Ph2
Ph3

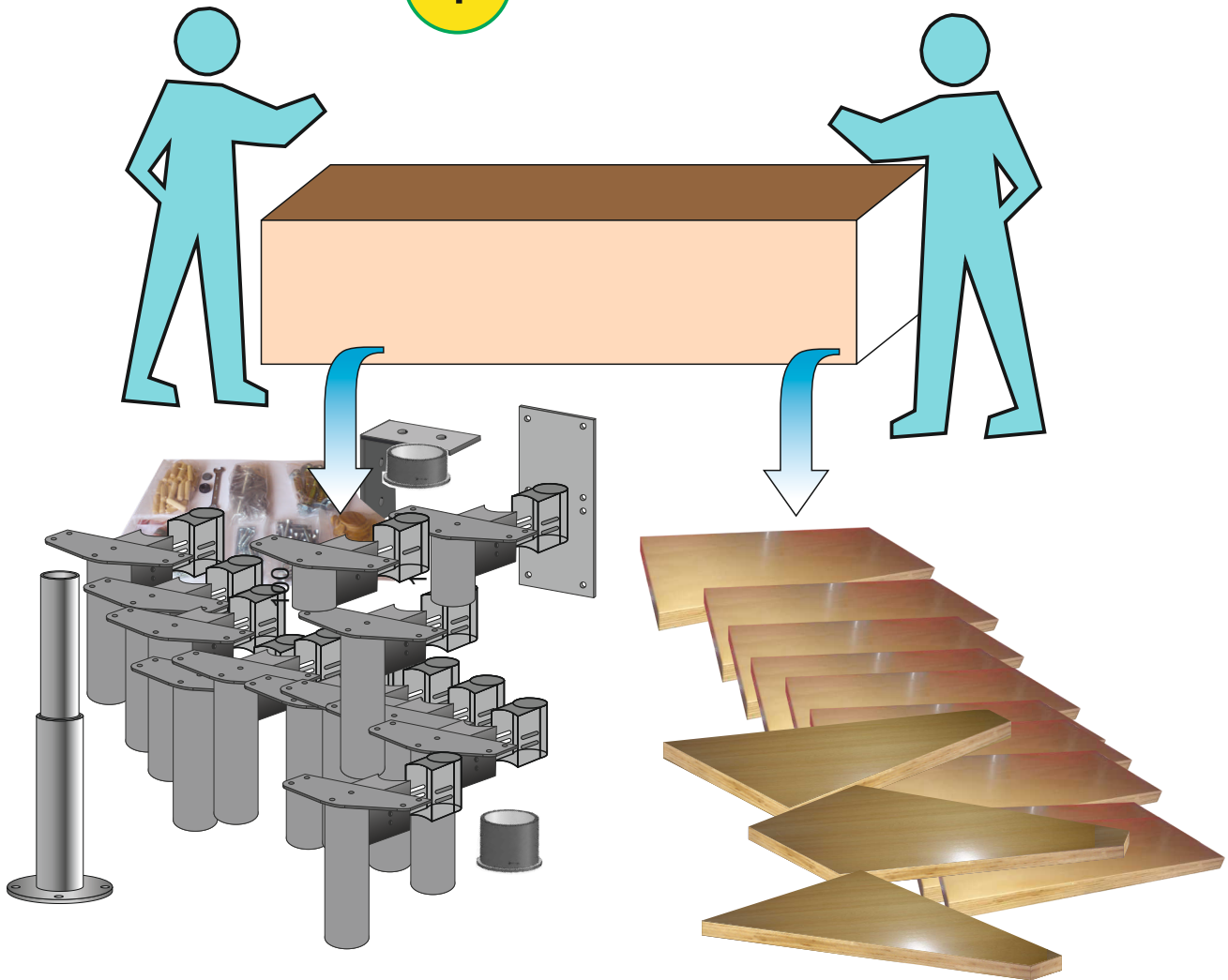


$\Phi 10 \times 150\text{mm}$
 $\Phi 12 \times 150\text{mm}$

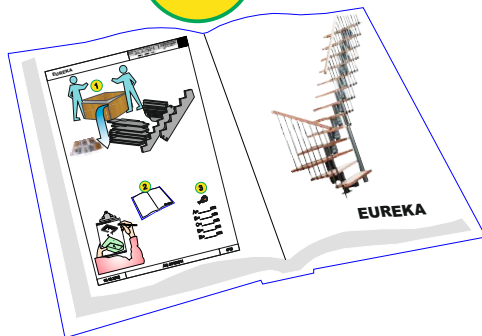




1



2





3



- A= _____ cm
- B= _____ cm
- C= _____ cm
- D= _____ cm
- E= _____ cm
- F= _____ cm
- G= _____ cm

A= 238-345 cm

B=>PAG10

C=78 cm

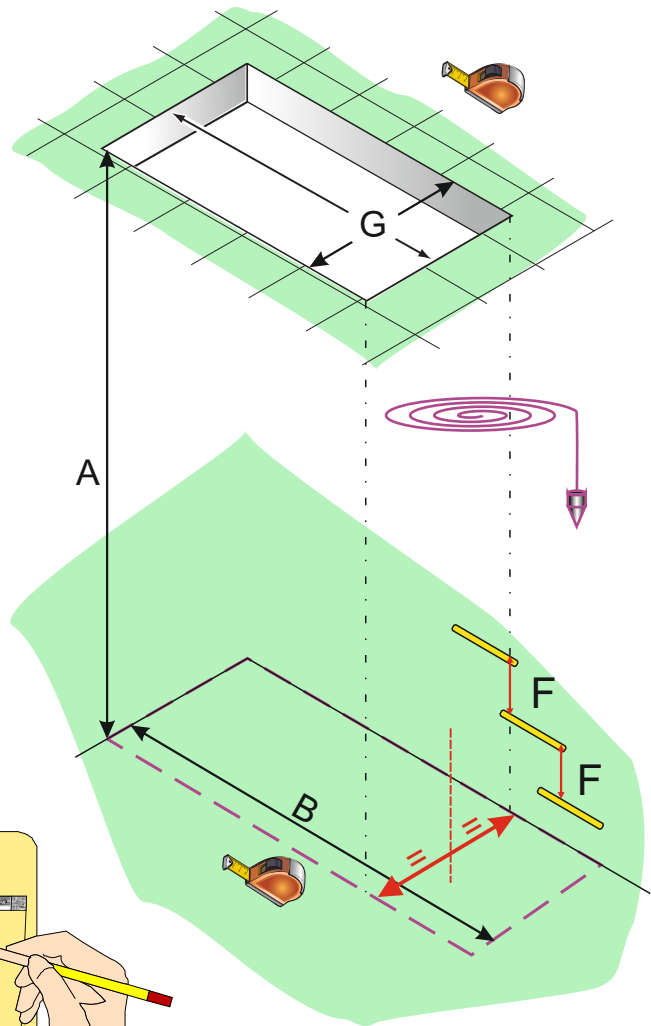
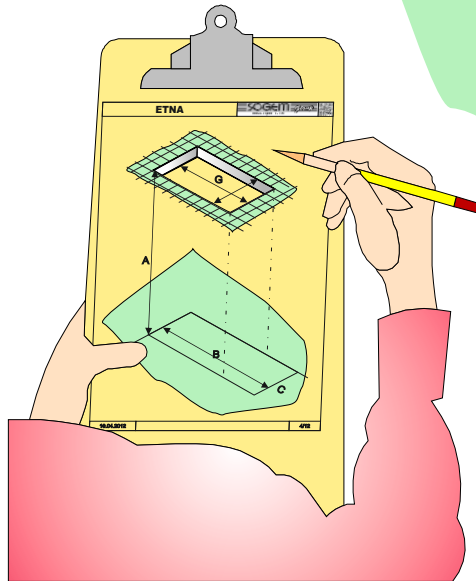
D=19,5-22,5 cm

E=10+3

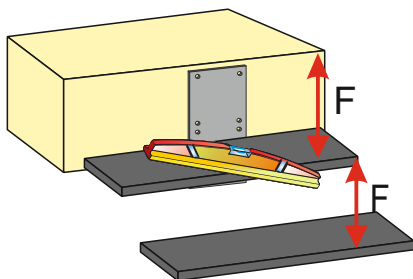
F=17-23 cm

G=220x90 cm

4

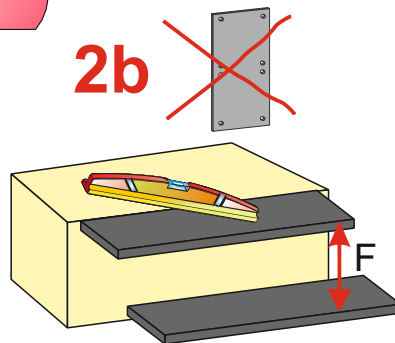


2a



$$F = \frac{A}{14}$$

2b

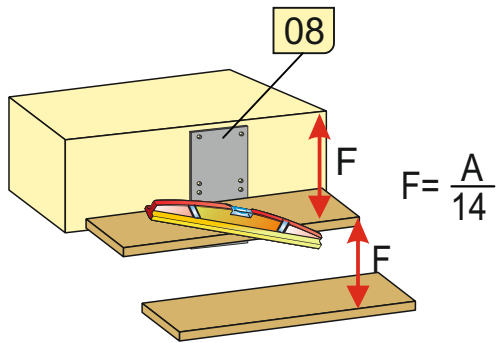


$$F = \frac{A}{13}$$

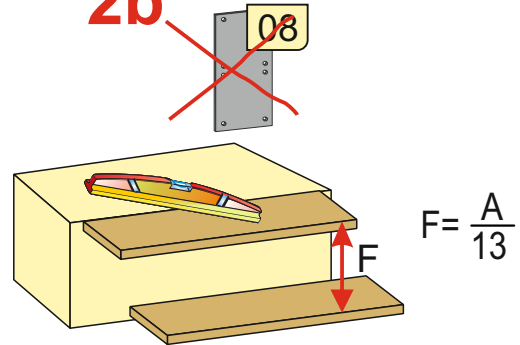


5

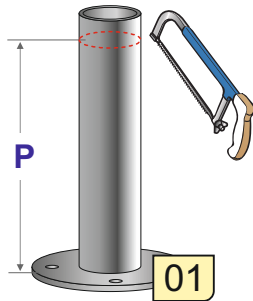
2a



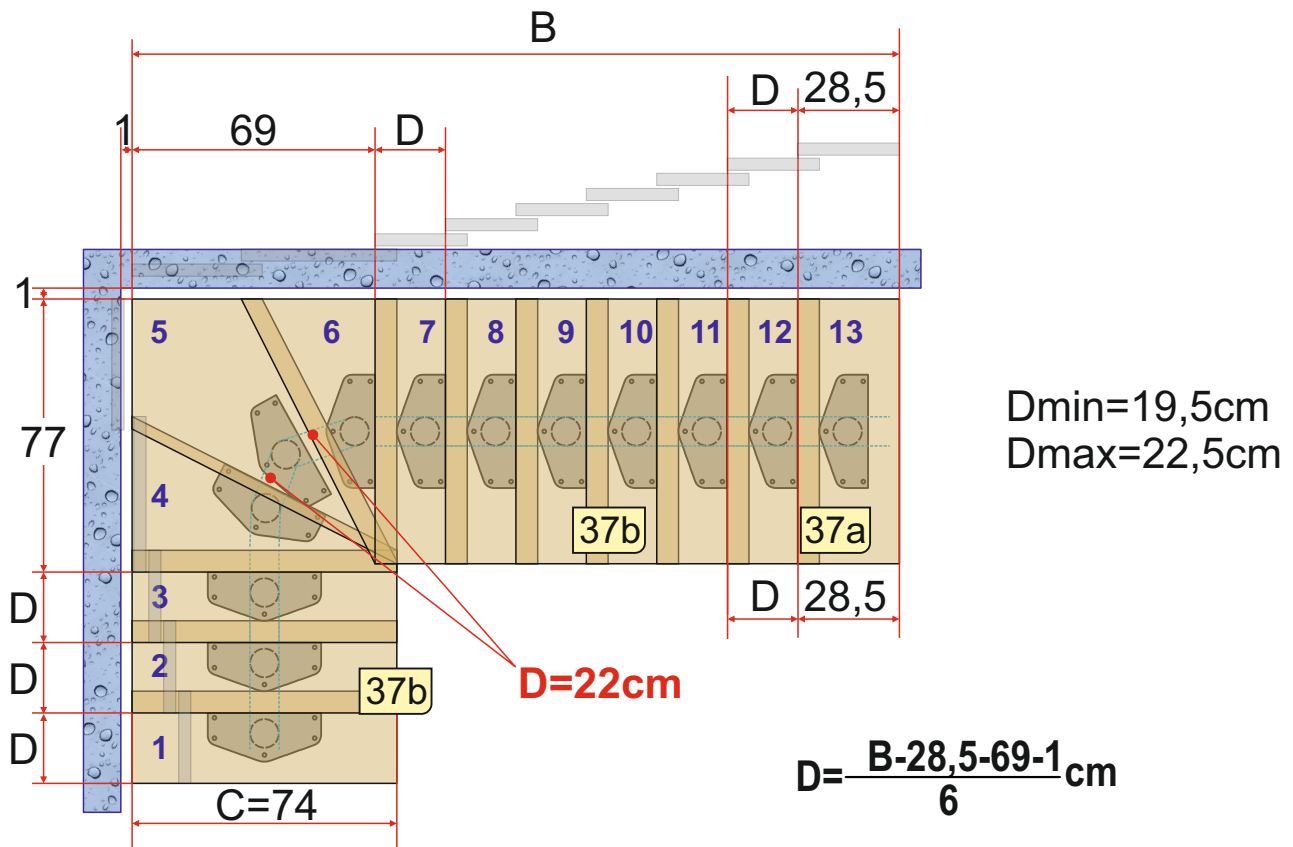
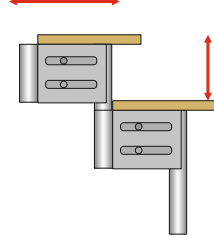
2b



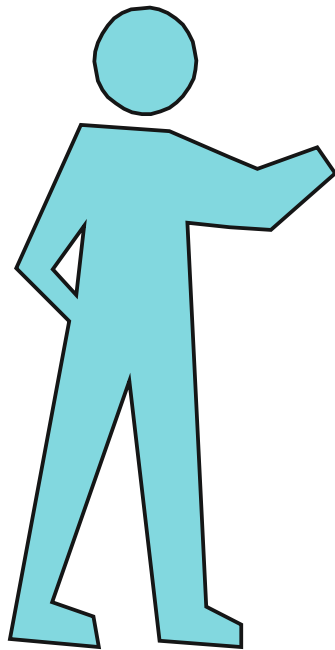
$P = 2 \times F - 4,6 \text{ cm}$



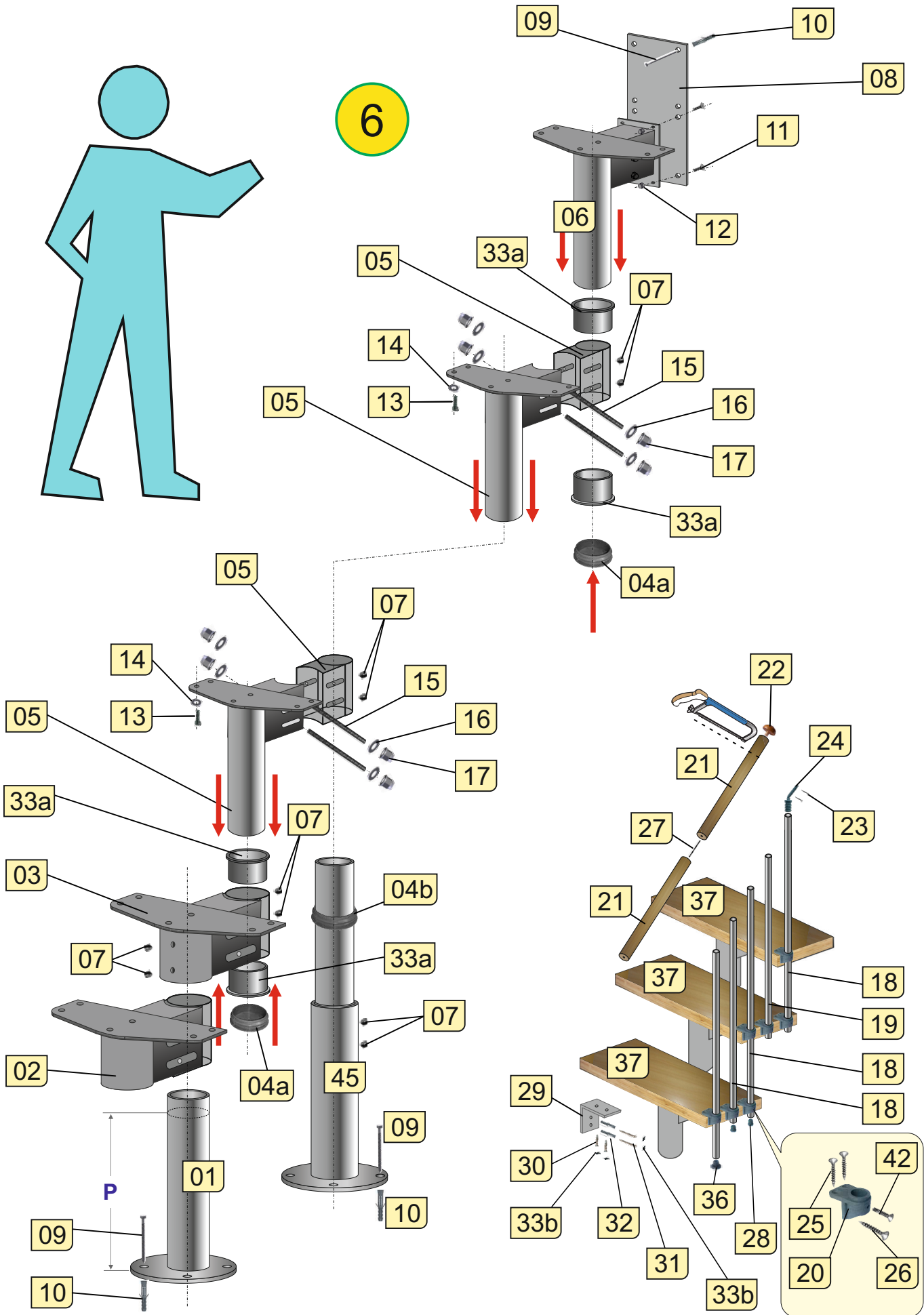
0-3cm (D=19,5-22,5cm)



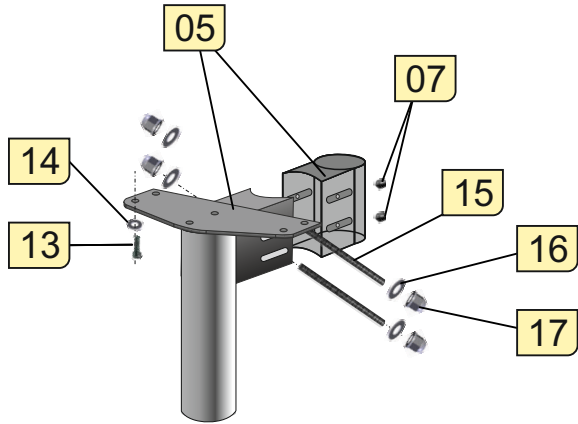
EX: $B = 235 \text{ cm}; D = \frac{235 - 28,5 - 69 - 1}{6} = 22,8 \text{ cm}$



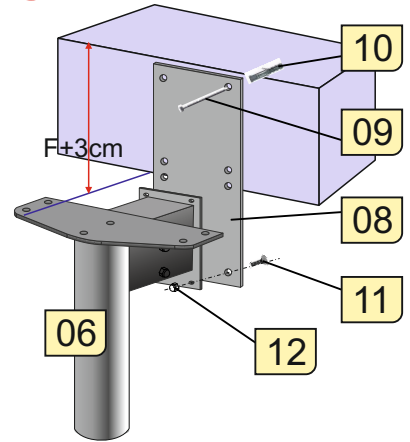
6



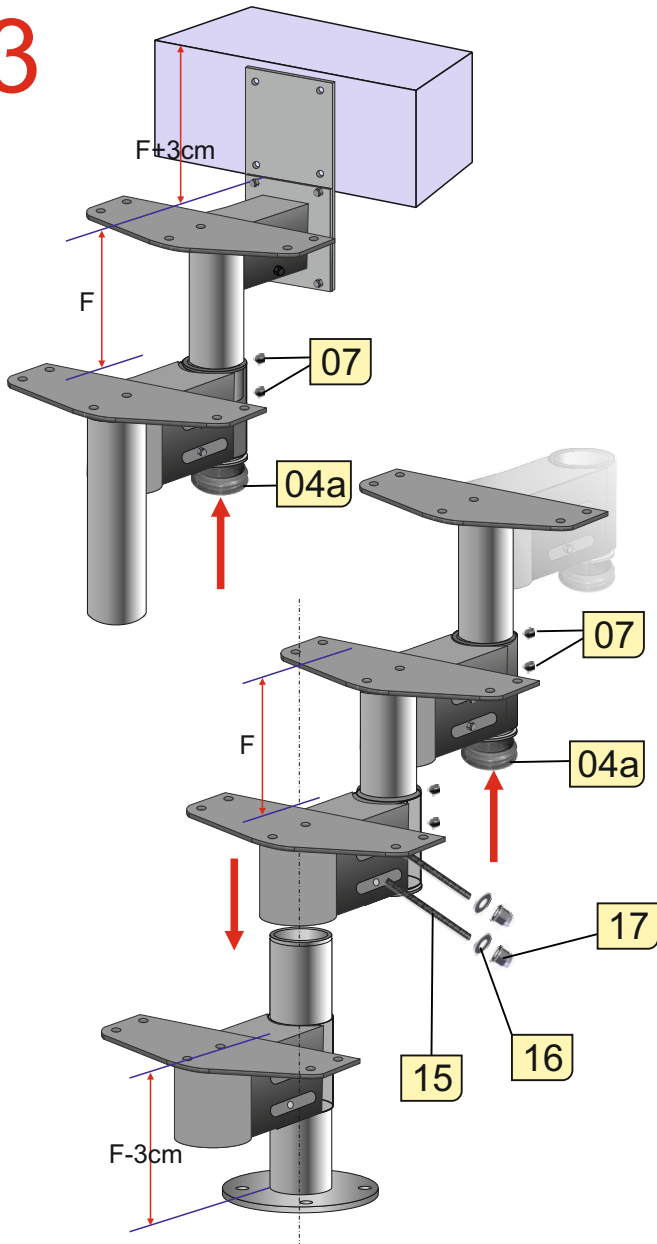
1



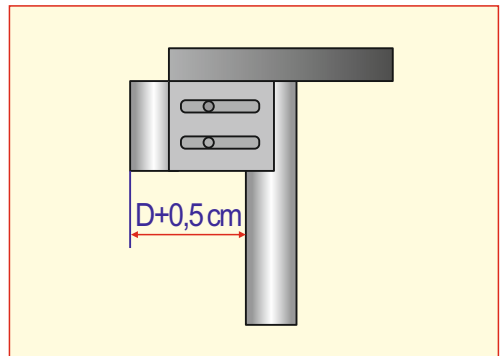
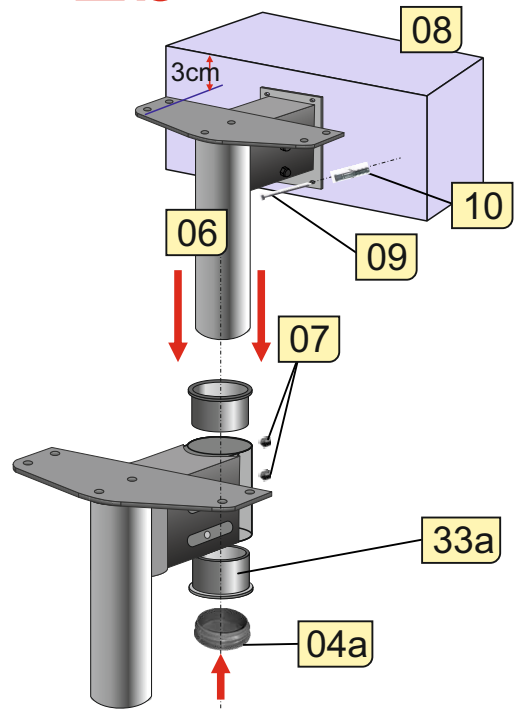
2a



3



2b





8

