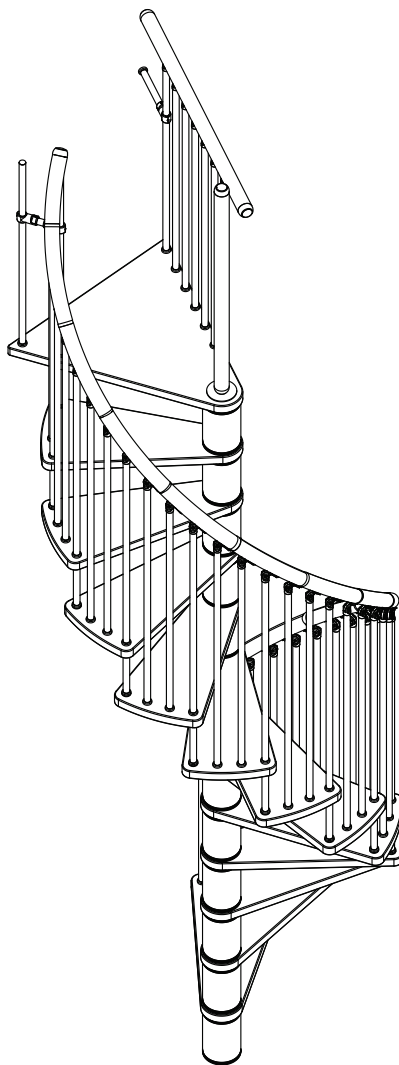
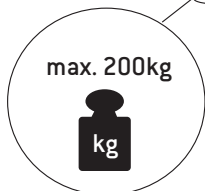
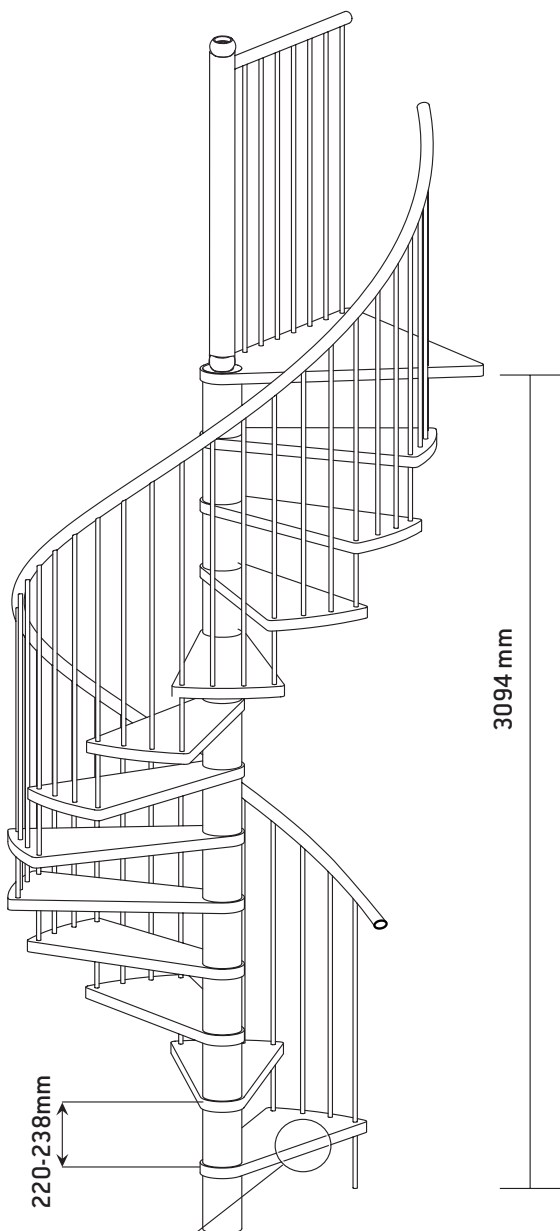


KAPPA / SIGMA

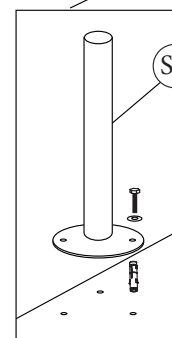
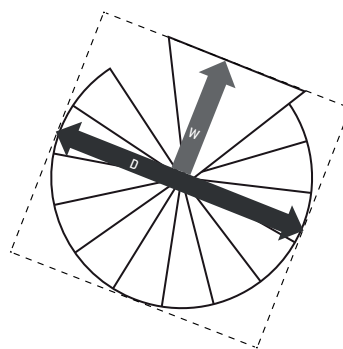
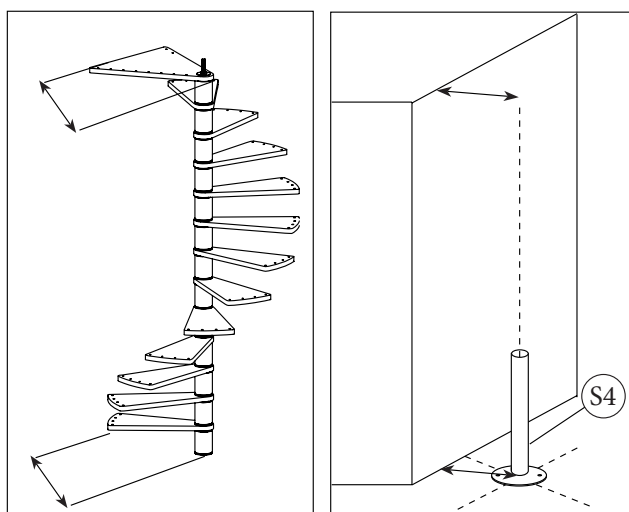
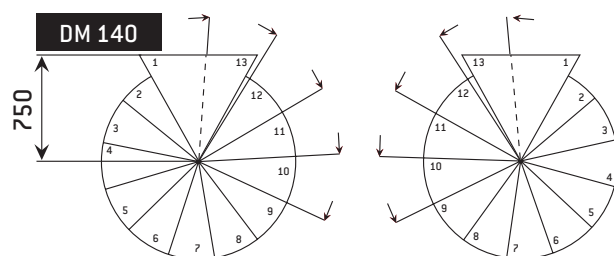
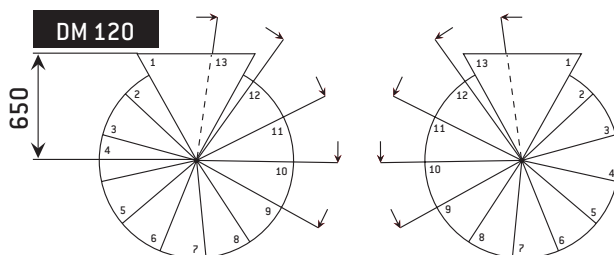


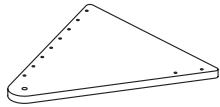
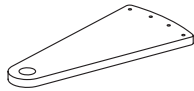
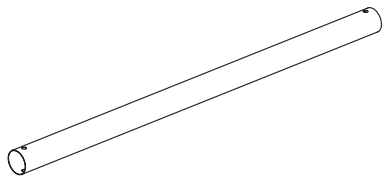
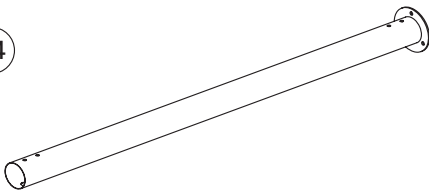
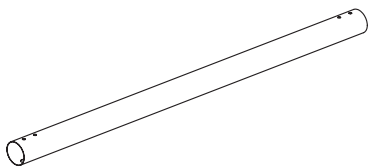
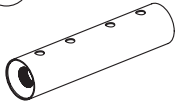
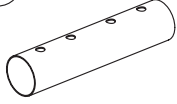
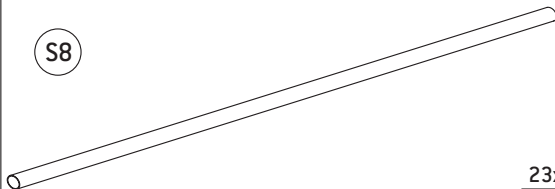
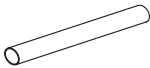

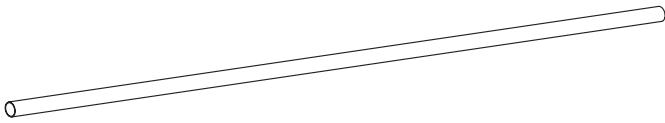
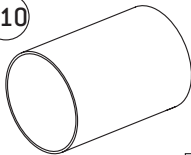
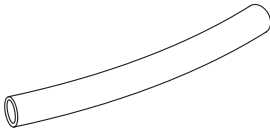
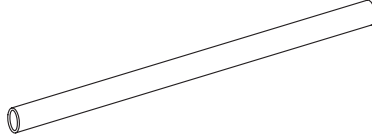
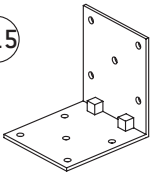
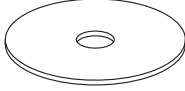
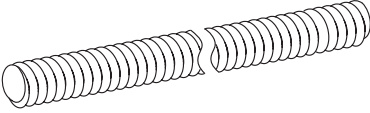
- ⒻⓂ ESCALIER SPIRALE AVEC MARCHES EN HÊTRE LAMELLÉ VERNI 120 / 140 CM
- ⒼⓃ SPIRAALTRAP MET TREDEN IN VERNIST GELAMELLEERD BEUK 120 / 140 CM
- ⒼⓅ SPIRAL STAIRCASE WITH LAMELLAR LACQUERED BEECH 120 / 140 CM
- ⒻⓄ SPINDELSTREPPEN AUS BUCHE LEIMHOLZ 120 / 140 CM
- ⒻⓈ ESCALERA DE CARACOL CON Peldaños EN HAYA LAMELADA BARNIZADA 120 / 140 CM
- ⒻⓉ ESCADA DE CARACOL EM FAIA LAMELADA 120 / 140 CM
- ⒻⓇ SCARA SPIRALA CU TREPTE DIN FAG LAMELAR LACUIT 120 / 140 CM

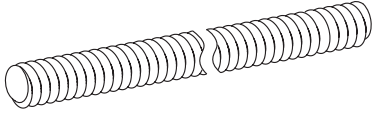
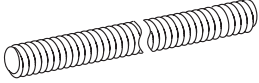
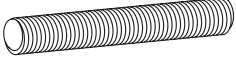
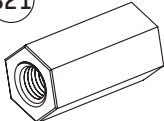

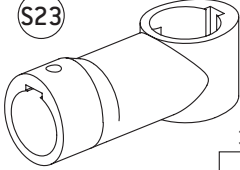


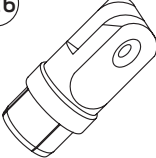
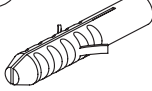
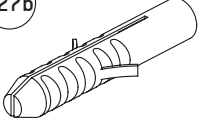
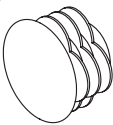
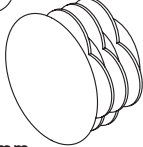
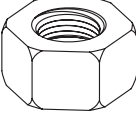

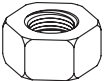

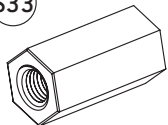

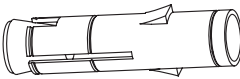
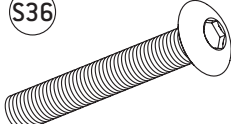
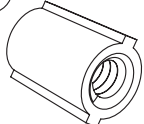
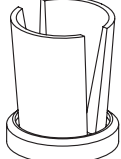
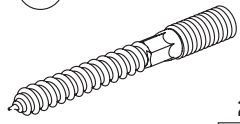
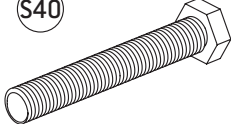
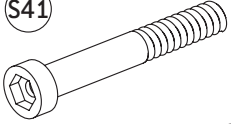
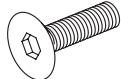
| | | | | | | |
|--------|------|------|------|------|------|----|
| | 9 | 10 | 11 | 12 | 13 | |
| | 1980 | 2200 | 2420 | 2640 | 2860 | mm |
| | - | - | - | - | - | |
| | 2142 | 2380 | 2618 | 2856 | 3094 | mm |
| DM 140 | 232° | 258° | 284° | 310° | 336° | |
| DM 120 | 236° | 262° | 288° | 314° | 340° | |


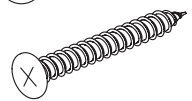
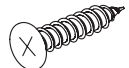



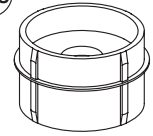
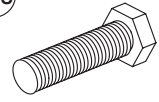
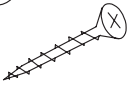
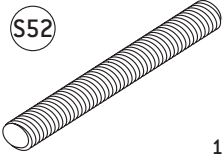
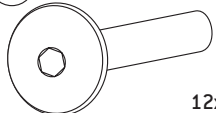
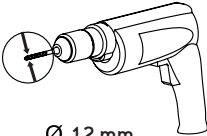


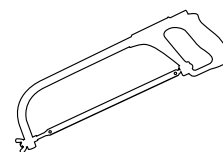
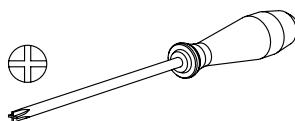
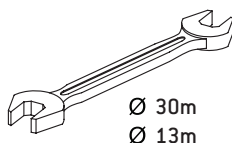
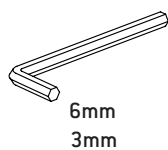
| | W | D |
|-----|------------|-----------|
| 120 | 600-650 mm | > 1200 mm |
| 140 | 700-750 mm | > 1400 mm |



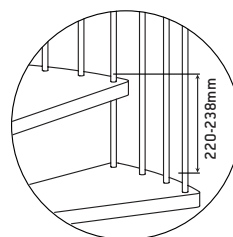
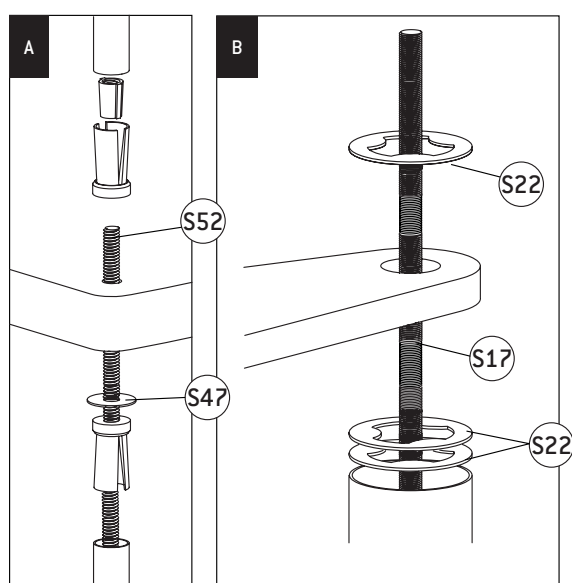
| | | |
|---|--|--|
| <p>(S1)</p>  <p>1x</p> | <p>(S2)</p>  <p>12x</p> | |
| <p>(S3)</p>  <p>910x50x1mm</p> <p>1x</p> | <p>(S4)</p>  <p>Ø 60,2x980mm</p> <p>1x</p> | |
| <p>(S5)</p>  <p>Ø 60,2x980mm</p> <p>1x</p> | <p>(S6)</p>  <p>Ø 51x2,6x220mm</p> <p>1x</p> | <p>(S7)</p>  <p>Ø 51x2,6x220mm</p> <p>1x</p> |
| <p>(S8)</p>  <p>Ø 22x1x840mm</p> <p>23x</p> | <p>(S11)</p>  <p>Ø 22x1x175mm</p> <p>14x</p> | <p>(S12)</p>  <p>Ø 22x1x70mm</p> <p>1x</p> |
| <p>(S9)</p>  <p>Ø 22x1x1100mm</p> <p>24x</p> | | <p>(S10)</p>  <p>Ø 127x2,9x179mm</p> <p>13x</p> |
| <p>(S13)</p>  <p>400x50x1mm</p> <p>12x</p> | <p>(S14)</p>  <p>952x50x1mm</p> <p>1x</p> | |
| <p>(S15)</p>  <p>90x90x80x3mm</p> <p>2x</p> | <p>(S16)</p>  <p>Ø 100x3 d21mm</p> <p>1x</p> | <p>(S17)</p>  <p>M20x1210mm</p> <p>1x</p> |

| | | | |
|--|--|--|--|
| <p>S18</p>  <p>M20x900mm</p> <p>1x</p> | <p>S19</p>  <p>M8x1000mm</p> <p>6x</p> | <p>S20</p>  <p>M10x120mm</p> <p>1x</p> | |
| <p>S21</p>  <p>M20x60mm DIN6334</p> <p>1x</p> | <p>S22</p>  <p>Ø 127x3mm</p> <p>104x</p> | <p>S23</p>  <p>3x</p> | <p>S24</p>  <p>46x</p> |
| <p>S25</p>  <p>Ø 50mm</p> <p>17x</p> | <p>S26</p>  <p>46x</p> | <p>S27a</p>  <p>Ø 8mm</p> <p>10x</p> | <p>S27b</p>  <p>Ø 12mm</p> <p>2x</p> |
| <p>S28</p>  <p>Ø 22mm</p> <p>1x</p> | <p>S29</p>  <p>Ø 35mm</p> <p>5x</p> | <p>S30</p>  <p>M20 DIN934</p> <p>1x</p> | <p>S30a</p>  <p>M20 DIN439B</p> <p>1x</p> |
| <p>S31</p>  <p>M8 DIN434</p> <p>11x</p> | <p>S32</p>  <p>M5 DIN934</p> <p>46x</p> | <p>S33</p>  <p>M8 DIN6334</p> <p>4x</p> | <p>S34</p>  <p>M6 DIN562</p> <p>6x</p> |
| <p>S35</p>  <p>M8x55mm</p> <p>3x</p> | <p>S36</p>  <p>M10x70mm</p> <p>34x</p> | <p>S37</p>  <p>M10</p> <p>50x</p> | <p>S38</p>  <p>74x</p> |
| <p>S39</p>  <p>M10x100mm</p> <p>2x</p> | <p>S40</p>  <p>M8x55mm DIN933</p> <p>3x</p> | <p>S41</p>  <p>M8x55mm DIN6912</p> <p>6x</p> | <p>S42</p>  <p>M5x20mm DIN7991</p> <p>46x</p> |

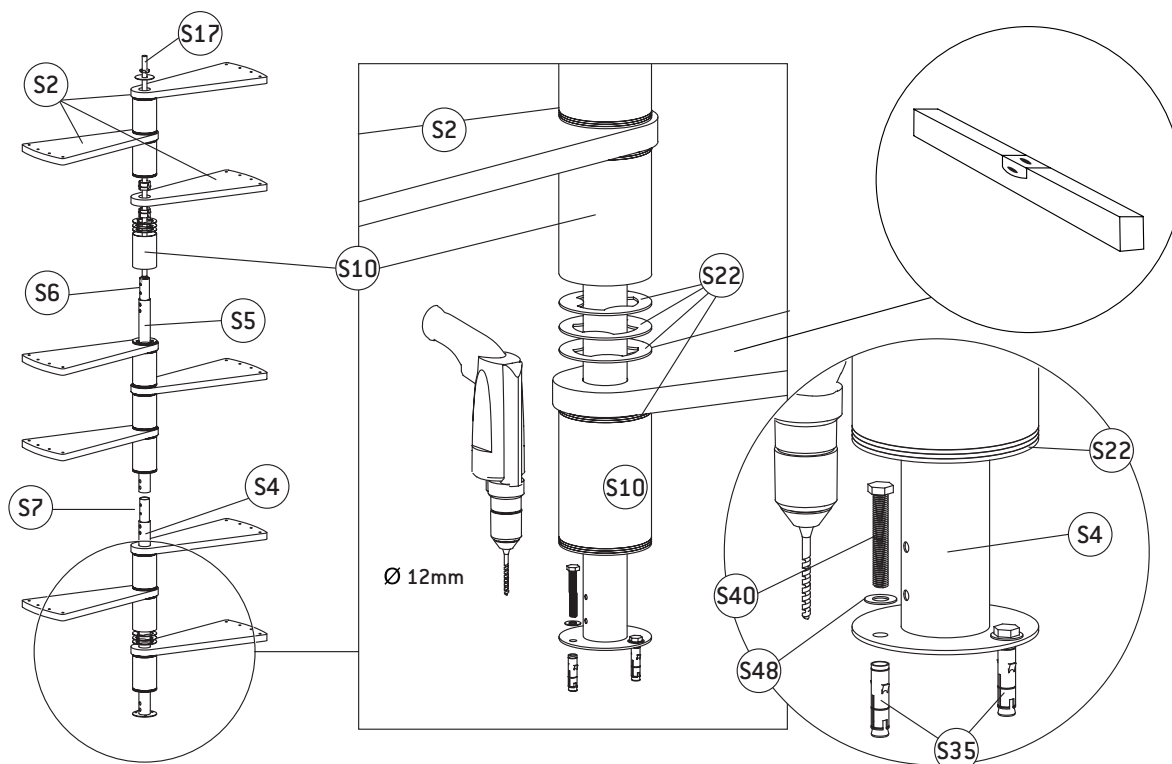
| | | | |
|--|--|--|--|
|  S43 M6x6mm DIN914 6x |  S44 Ø6x50mm 10x |  S45 Ø6x30mm 10x |  S46 Ø3,9x19mm 92x |
|  S47 Ø30x3mm 124x |  S48 Ø16mm 3x |  S49 8x |  S50 M8x14mm 1x |
|  S51 Ø4x25mm 46x |  S52 M10x300mm 12x |  S53 M10x35mm 12x |  Ø 12 mm Ø 8 mm Ø 1,5 mm |



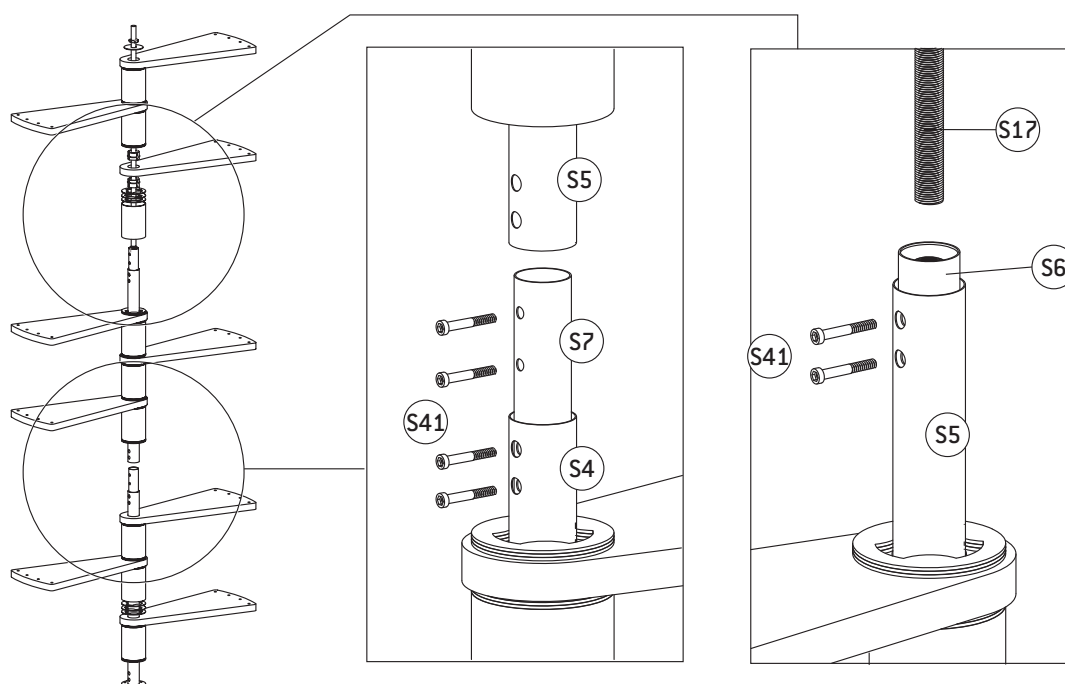
1



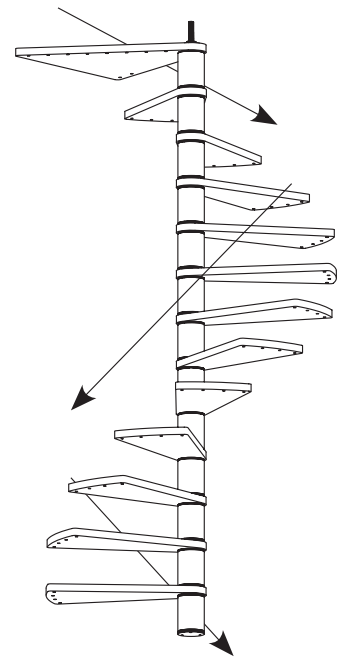
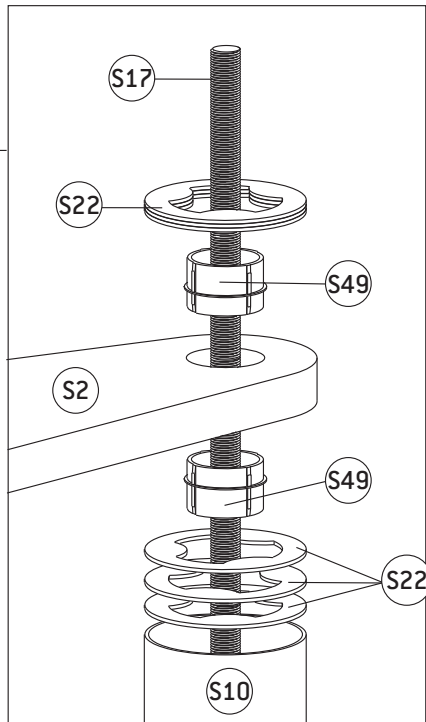
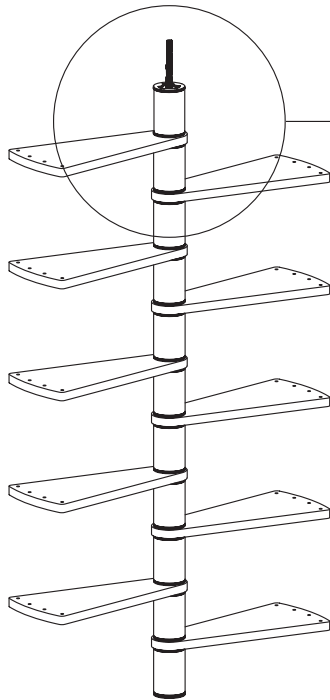
| A |
|------------------|
| 0 x S47 = 220 mm |
| 1 x S47 = 223 mm |
| 2 x S47 = 226 mm |
| 3 x S47 = 229 mm |
| 4 x S47 = 232 mm |
| 5 x S47 = 235 mm |
| 6 x S47 = 238 mm |
| B |
| 2 x S22 = 220 mm |
| 3 x S22 = 223 mm |
| 4 x S22 = 226 mm |
| 5 x S22 = 229 mm |
| 6 x S22 = 232 mm |
| 7 x S22 = 235 mm |
| 8 x S22 = 238 mm |



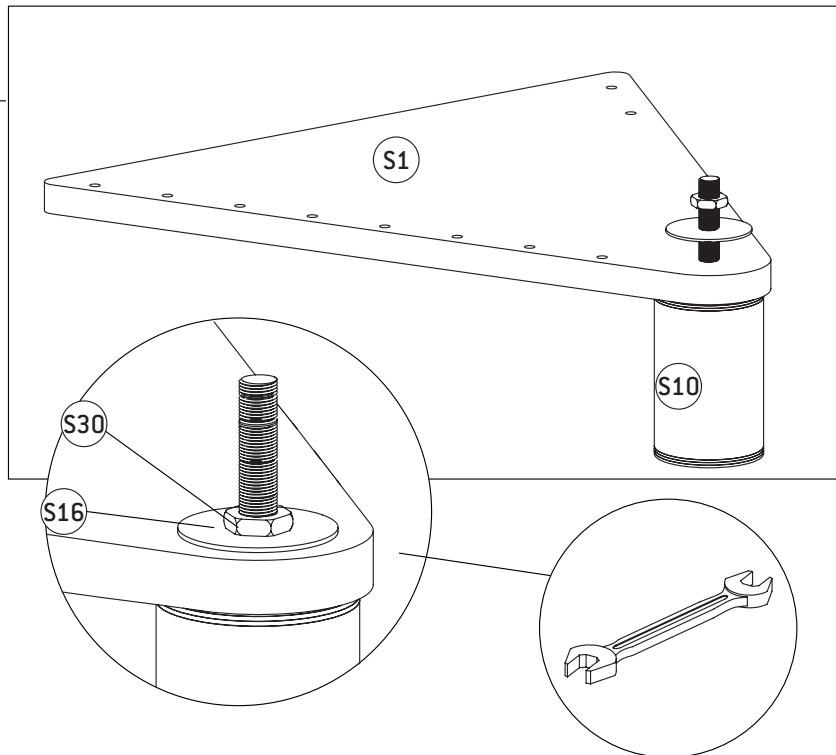
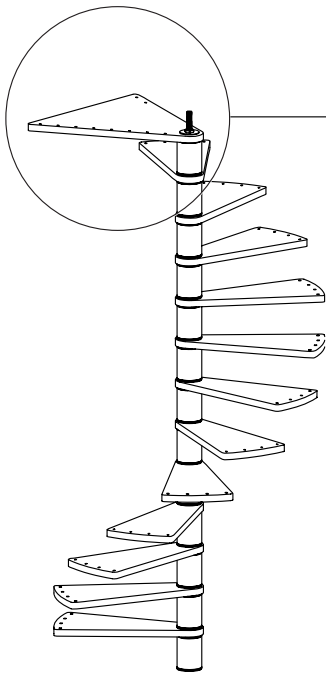
2



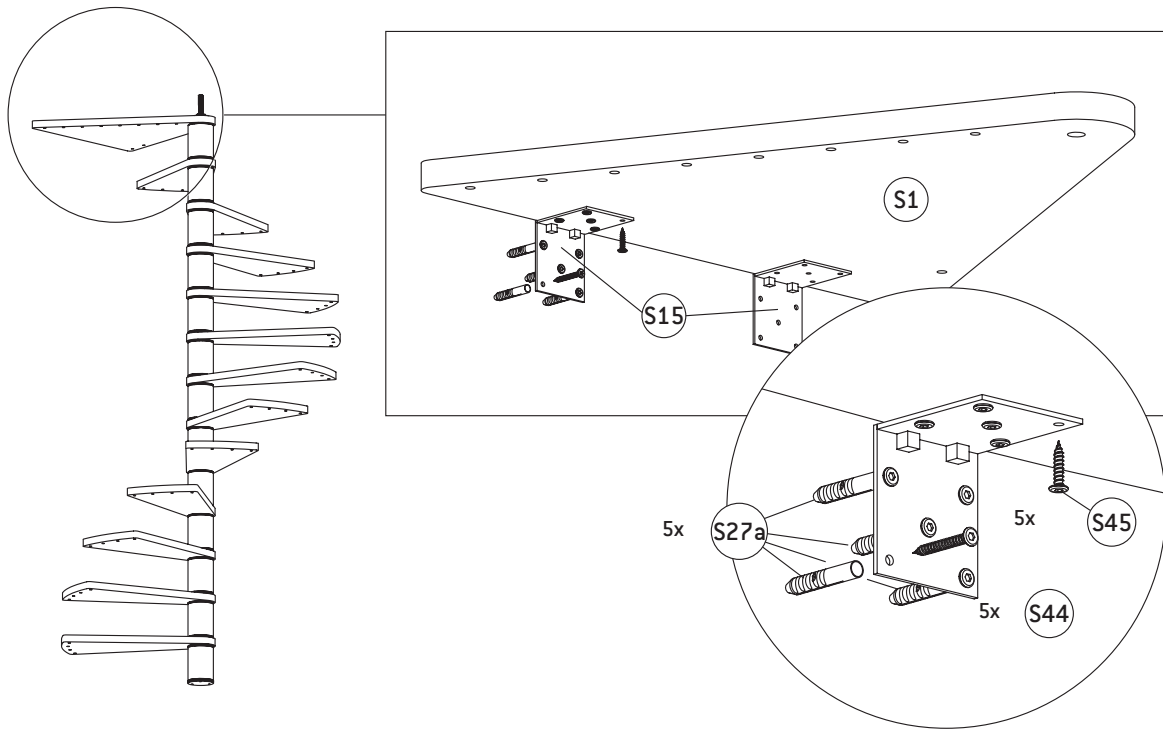
3



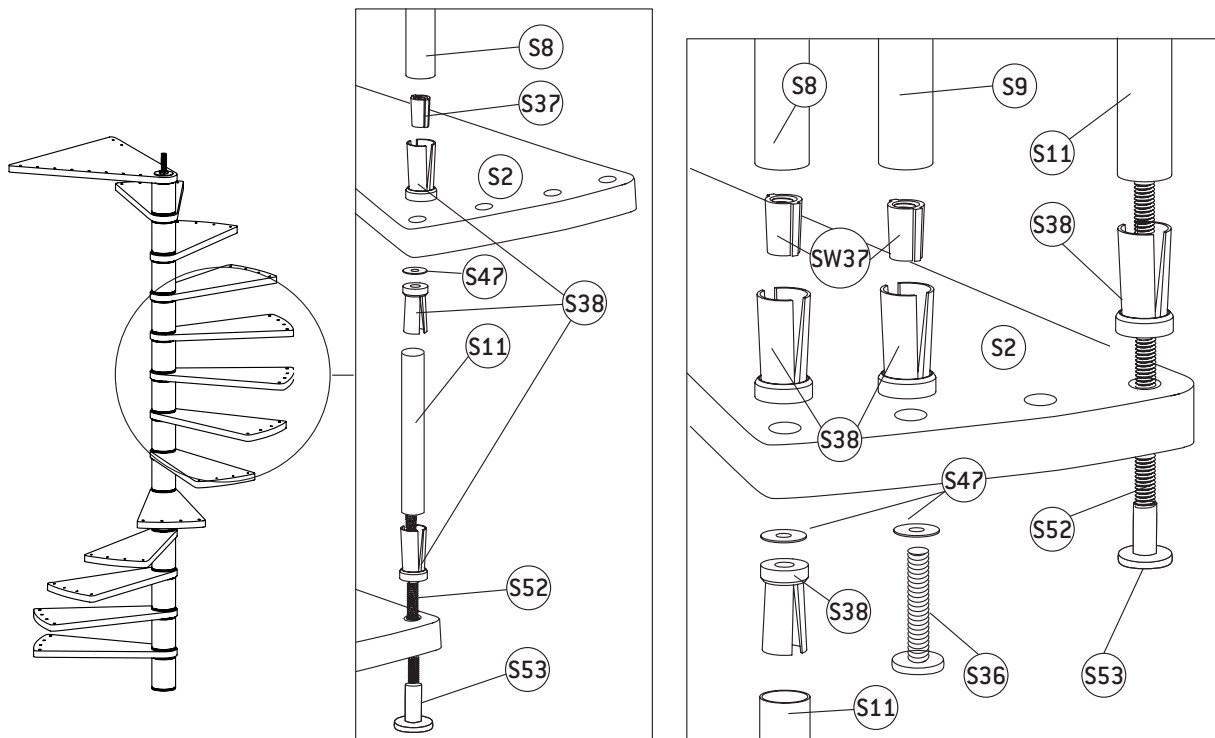
4



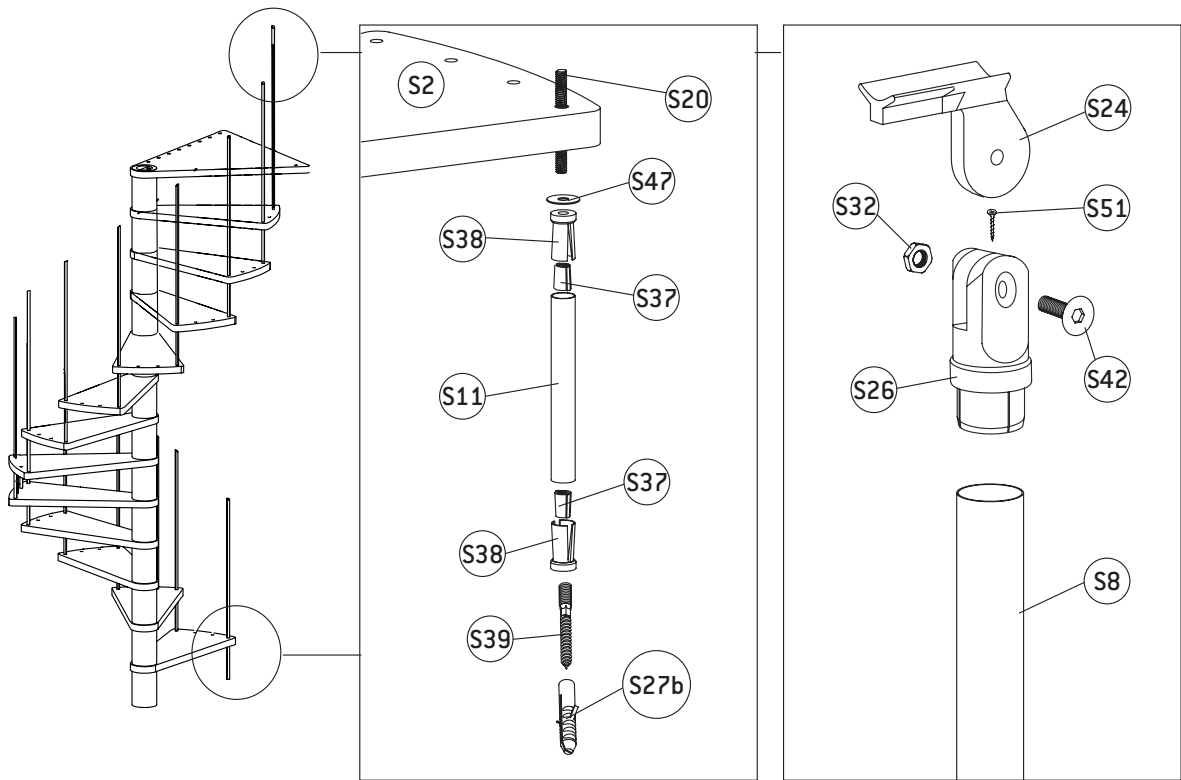
5



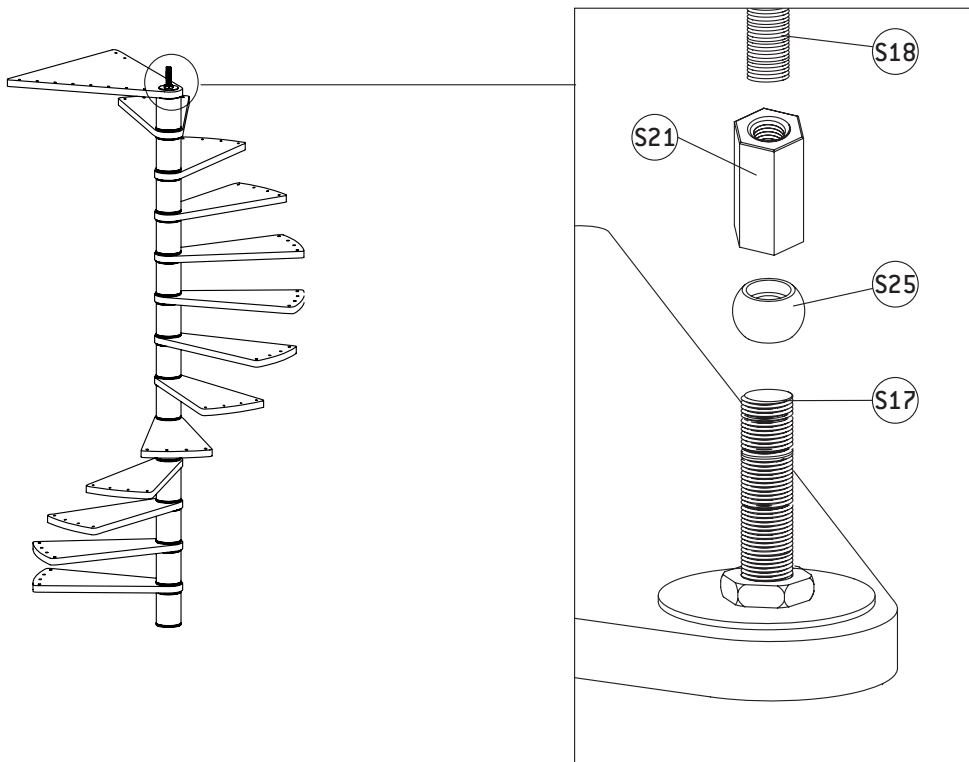
6



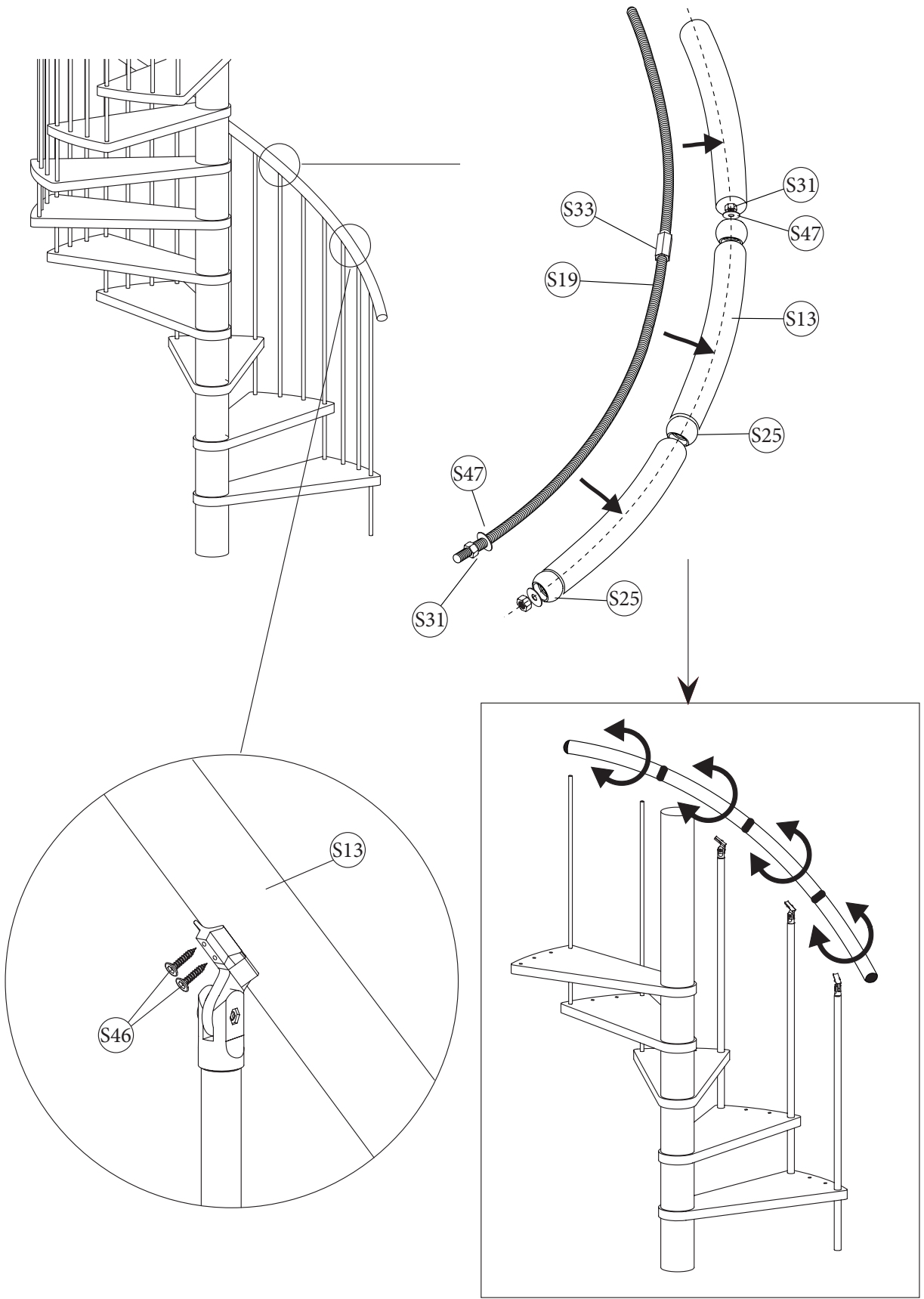
7



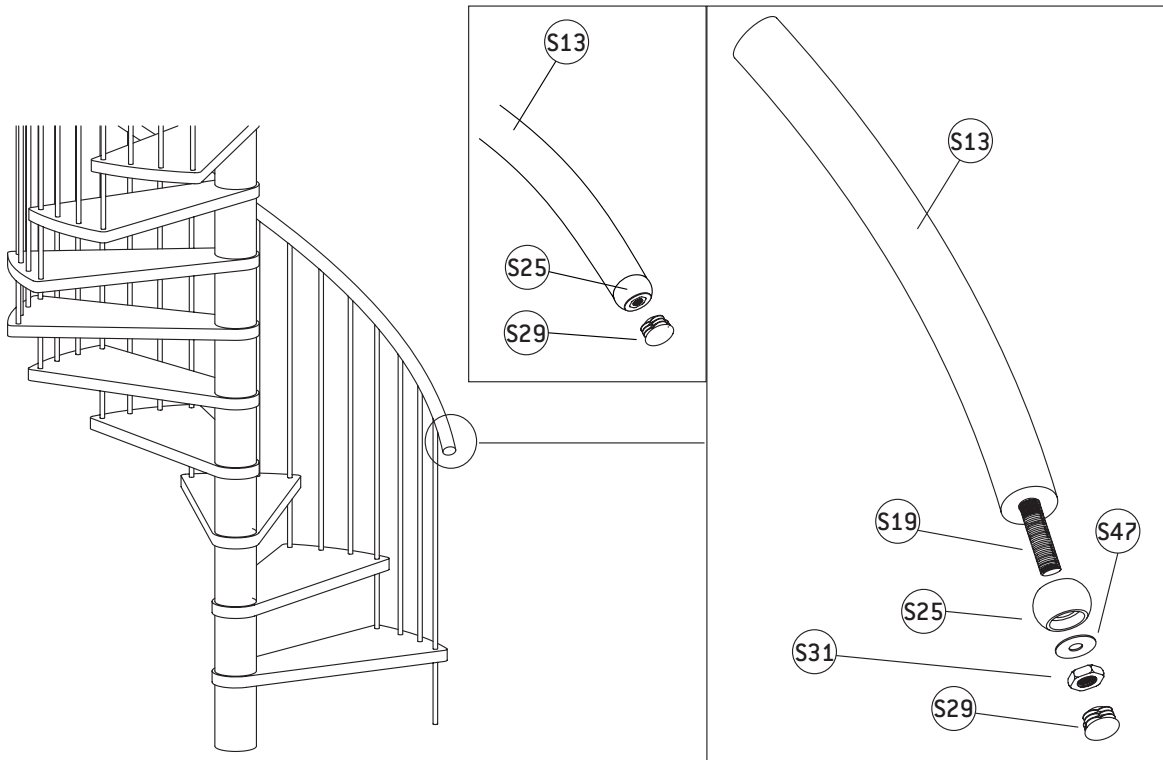
8



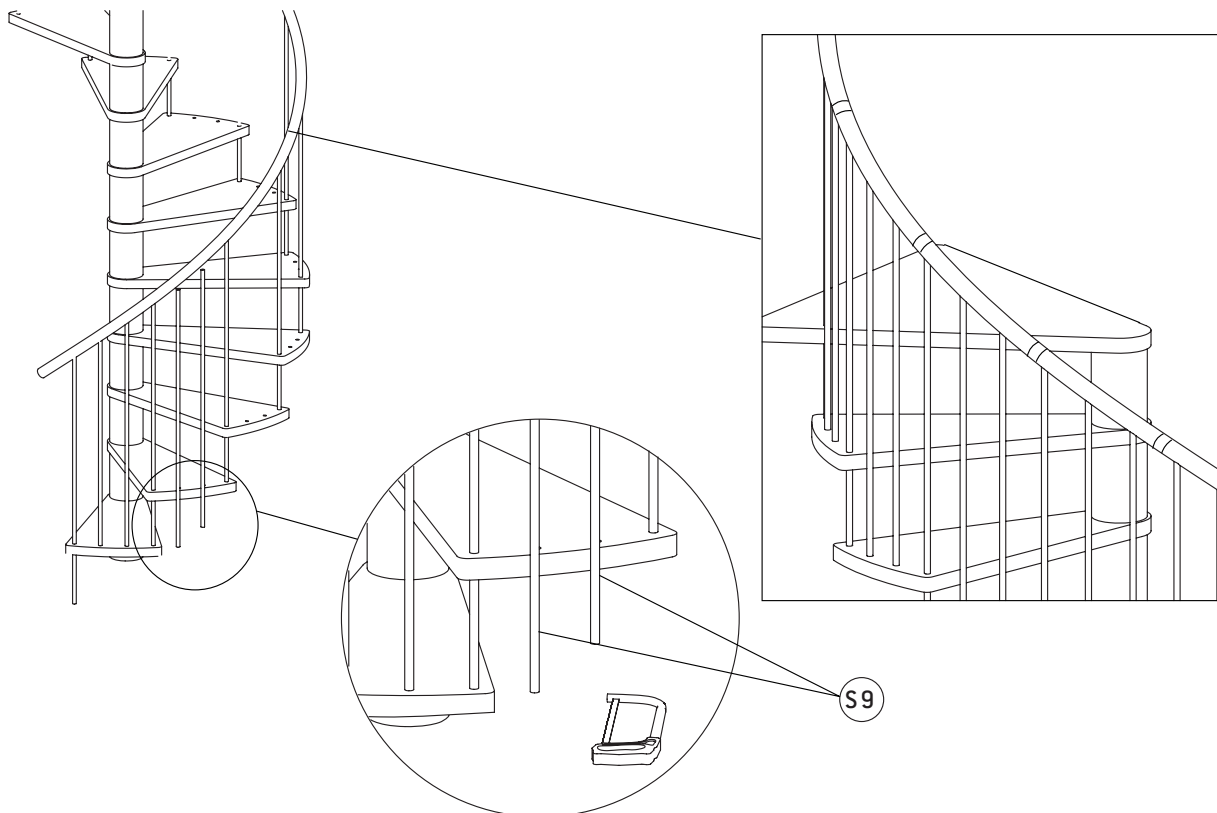
9



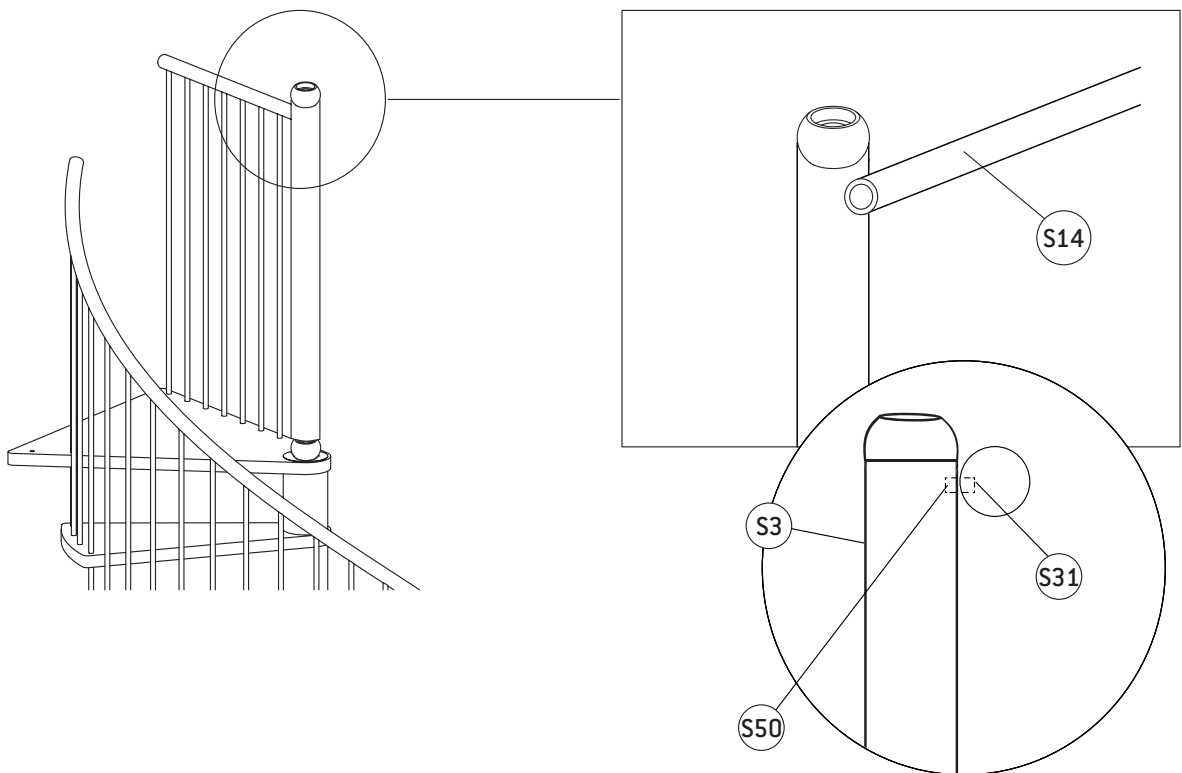
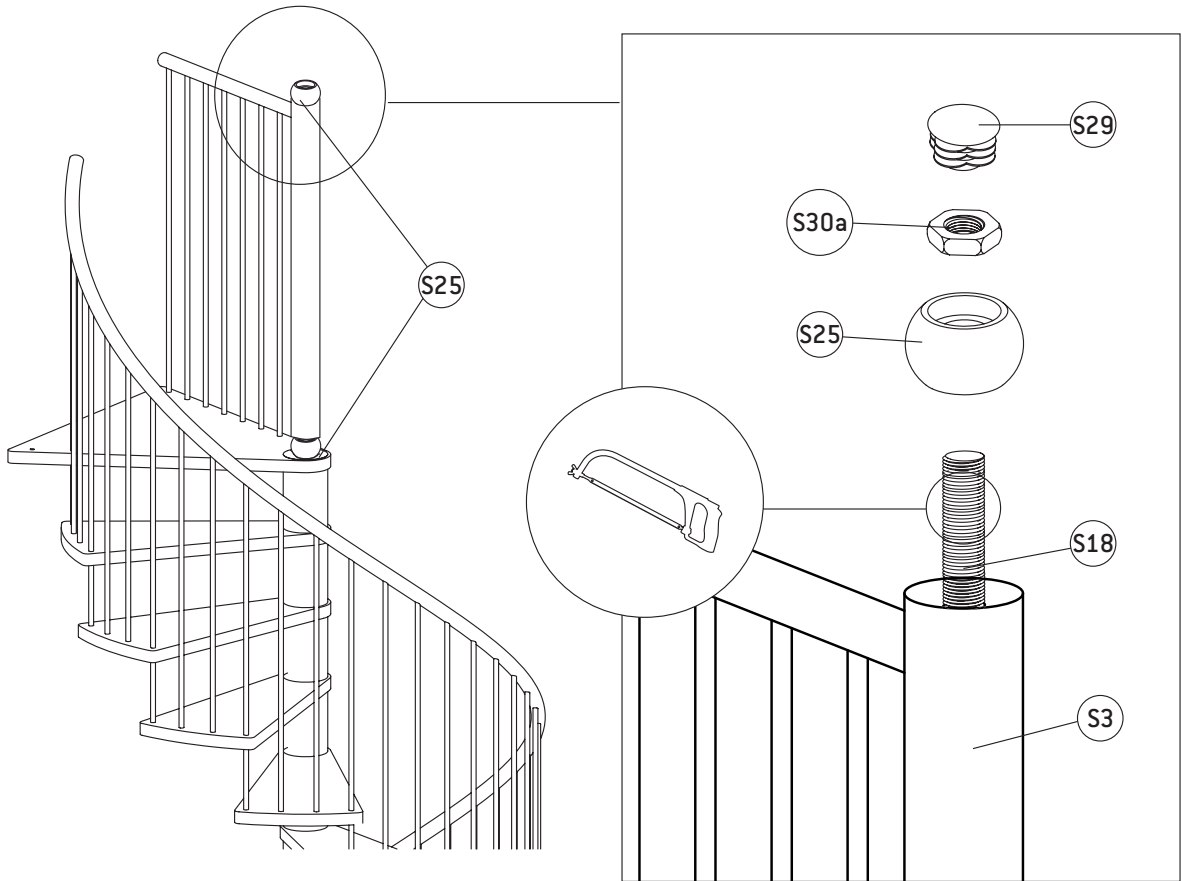
10



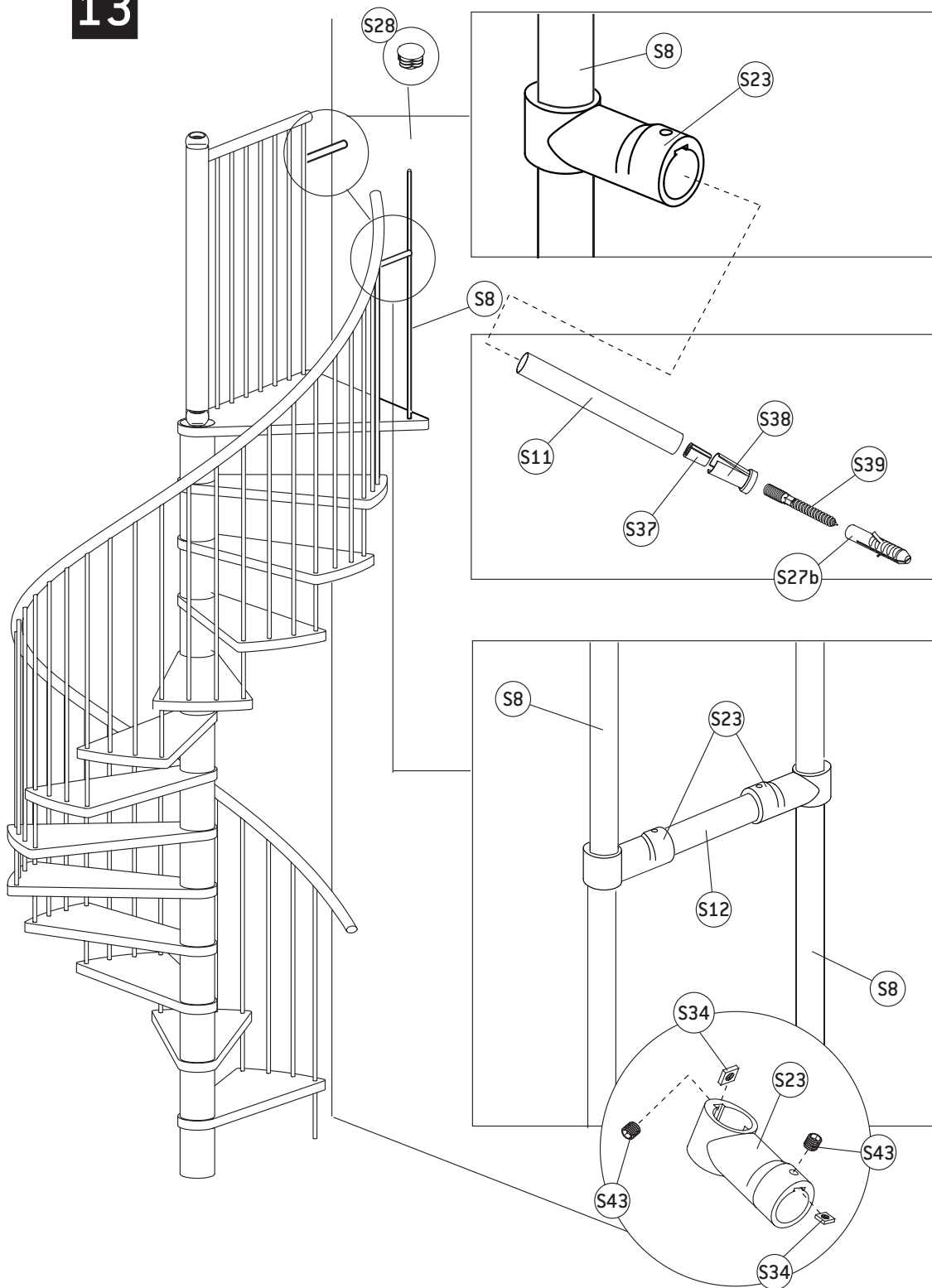
11



12



13



RUE GRIMARD,39 B-6061 MONTIGNIES-SUR-SAMBRE[CHARLEROI]-BELGIUM
 TEL: +32/71/25.39.60 FAX: +32/71/25.39.72 E-MAIL: info@sogem-sa.com