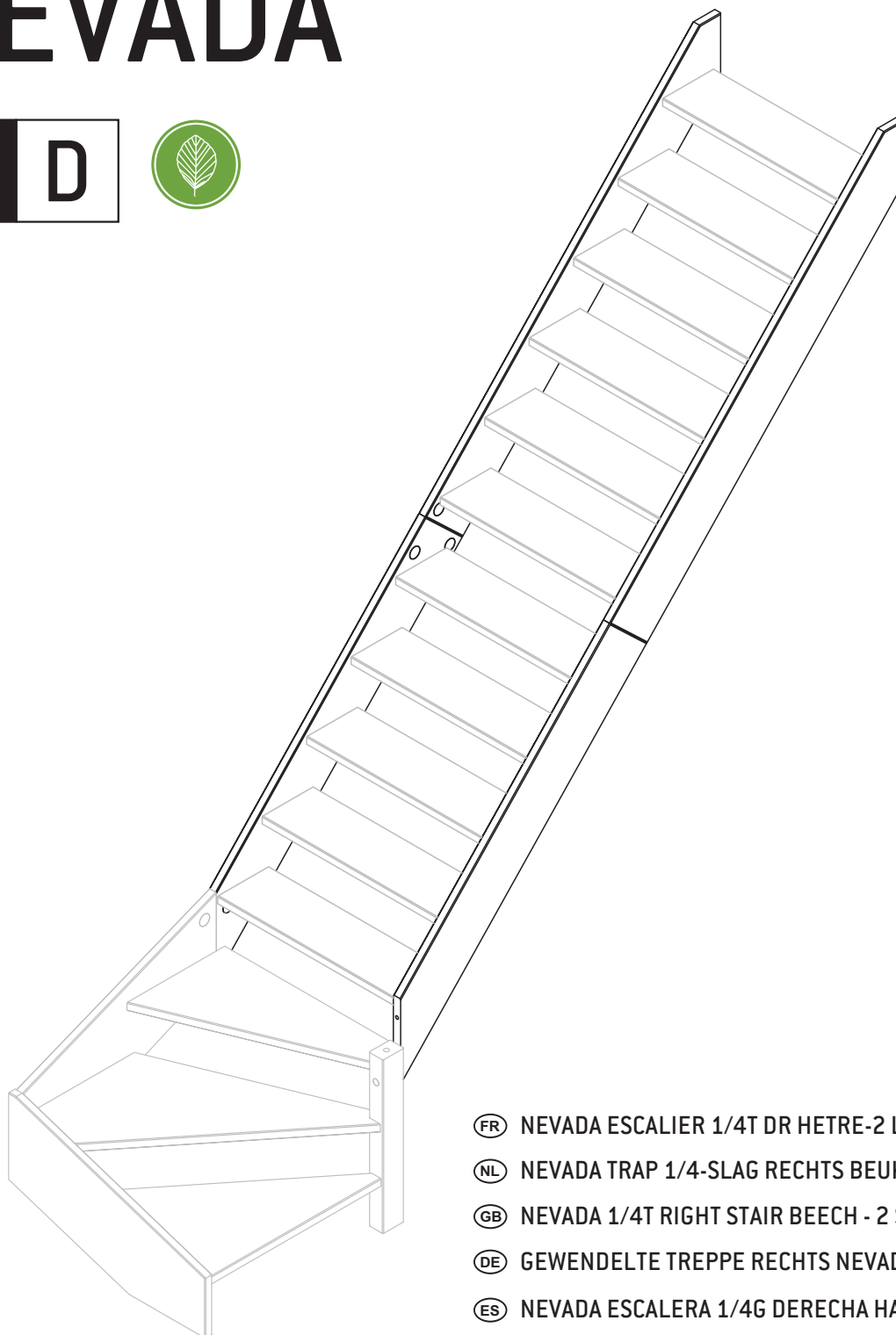
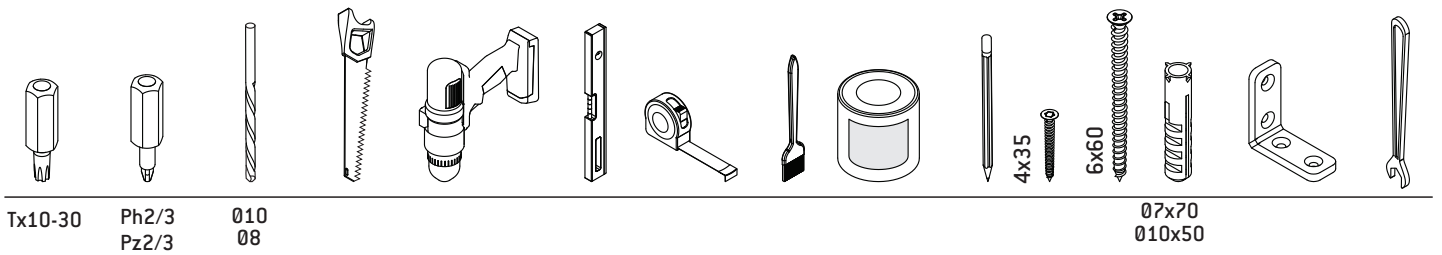


# NEVADA

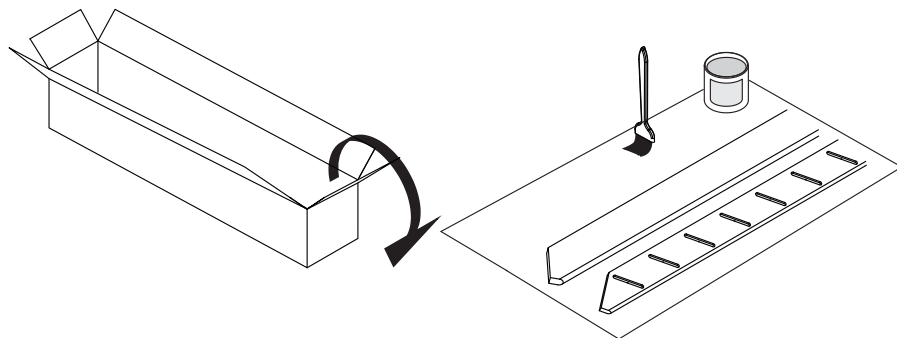


- Ⓡ NEVADA ESCALIER 1/4T DR HETRE-2 LIMONS
- Ⓡ NEVADA TRAP 1/4-SLAG RECHTS BEUK-2 WANGEN
- Ⓡ NEVADA 1/4T RIGHT STAIR BEECH - 2 STRINGERS
- Ⓡ GEWENDELTE TREPPE RECHTS NEVADA BUCHE- 2 WANGEN
- Ⓡ NEVADA ESCALERA 1/4G DERECHA HAYA -2 ZANCAS
- Ⓡ NEVADA 1/4 TURNANTA DREAPTA DIN FAG - 2 LATERALE

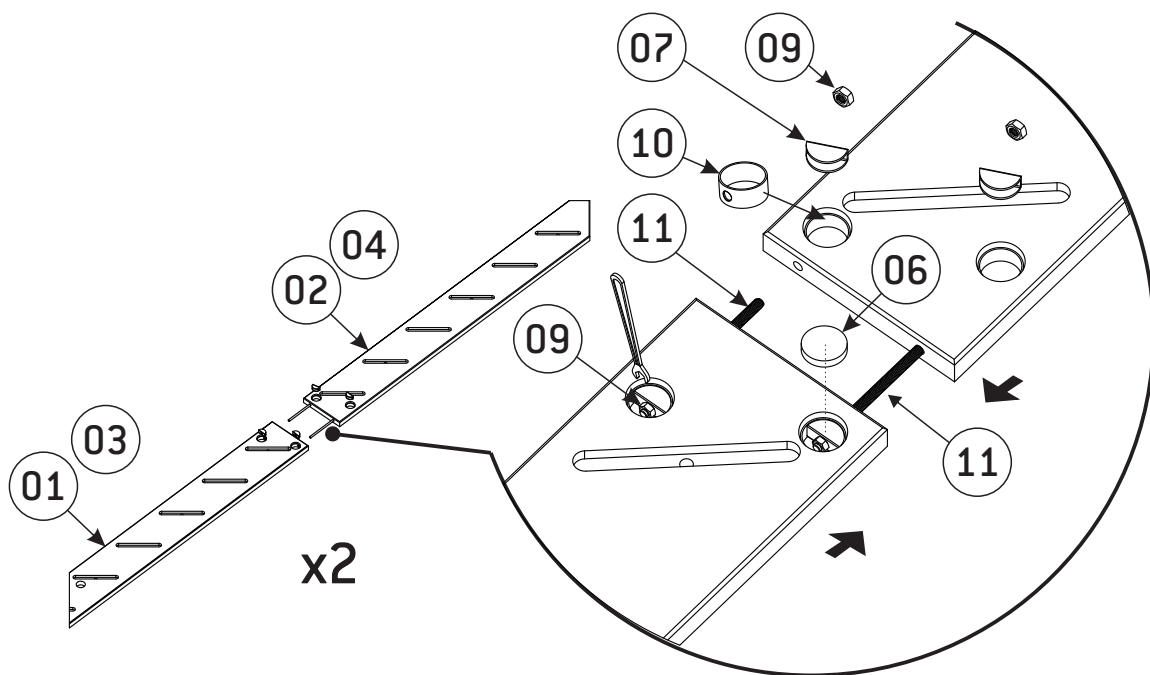
01 31x220x1530 x1	02 31x220x1763 x1	03 31x220x1530 x1	04 31x220x1763 x1	05 040x5 x12+1	06 043x5 x8+1	07 13x15x34 x20+1	08 M8x70 x12+1
				09 M8 x20+1	10 040x18 x8	11 M8x160 x4	   



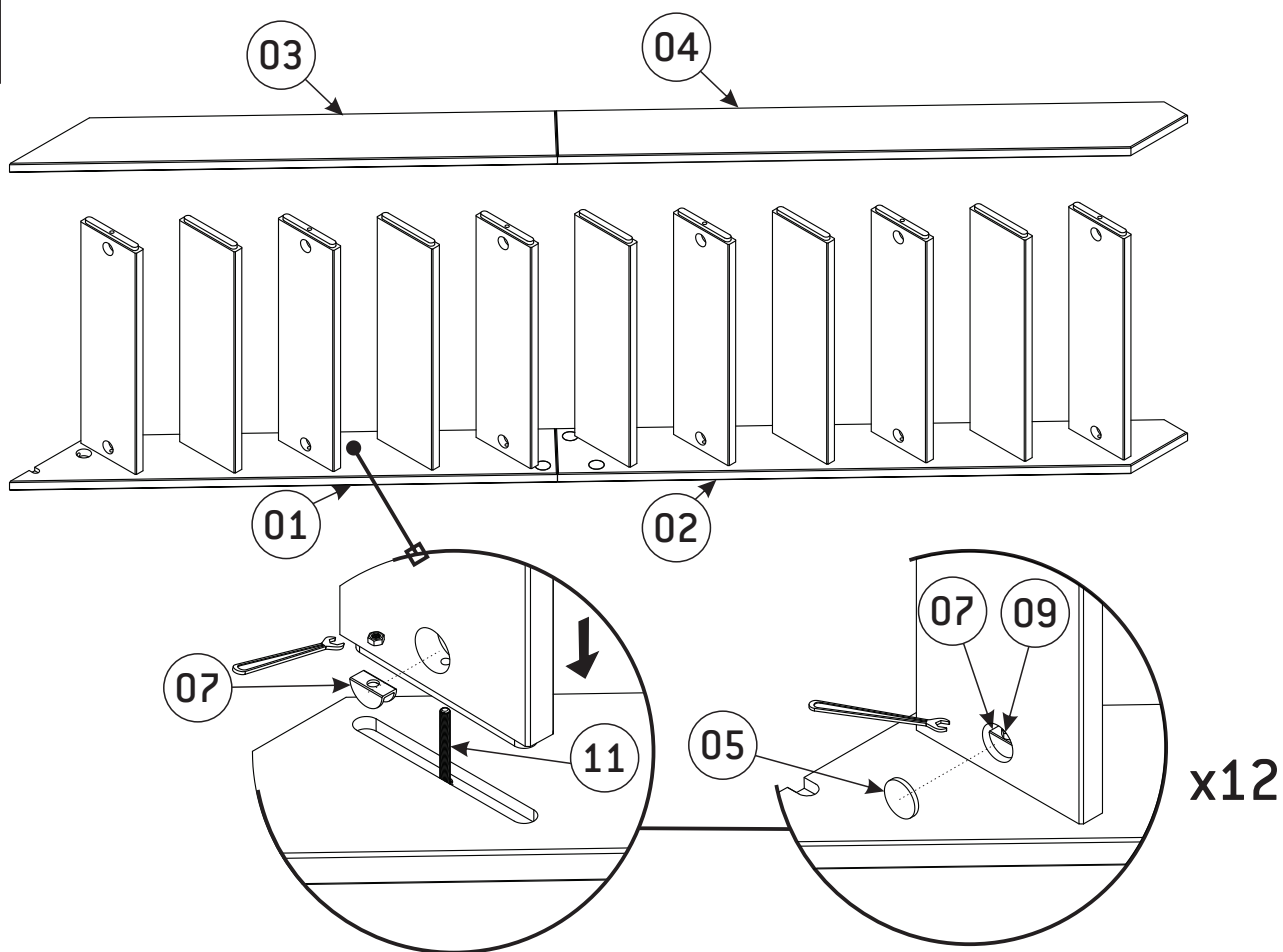
**1**



2



3



RUE GRIMARD, 39 B-6061 MONTIGNIES-SUR-SAMBRE (CHARLEROI) - BELGIUM  
 TEL: +32/71/25.39.60 FAX: +32/71/25.39.72 E-MAIL: info@sogem-sa.com