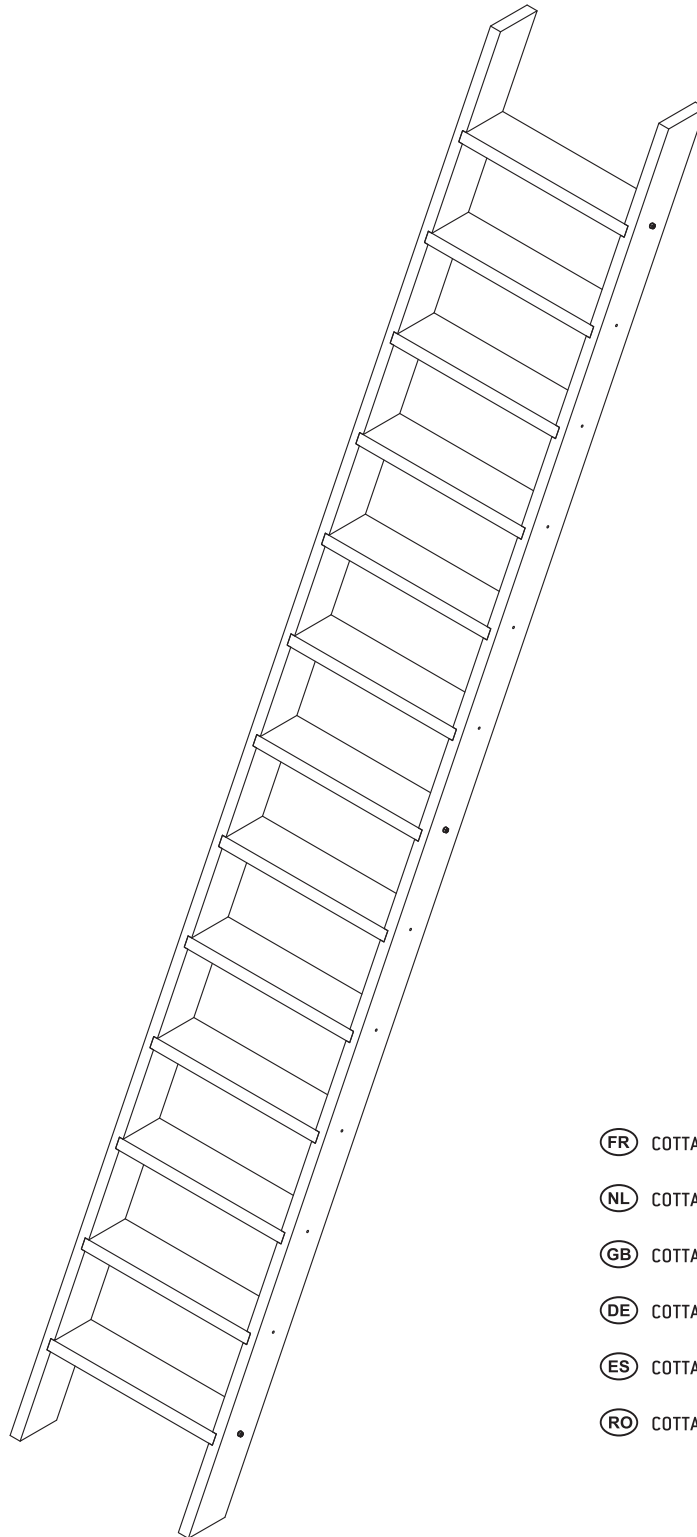
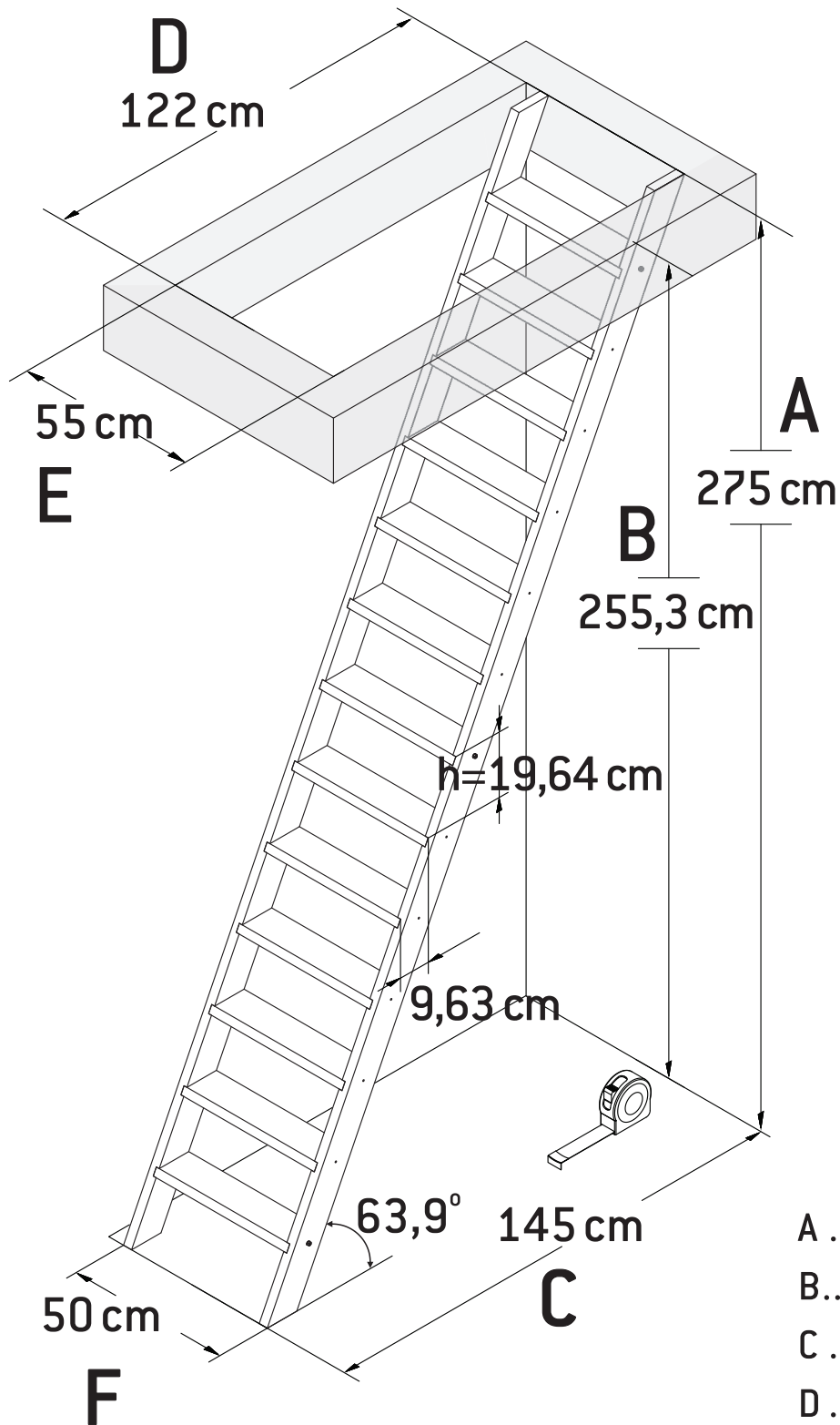




COTTAGE PREMIUM



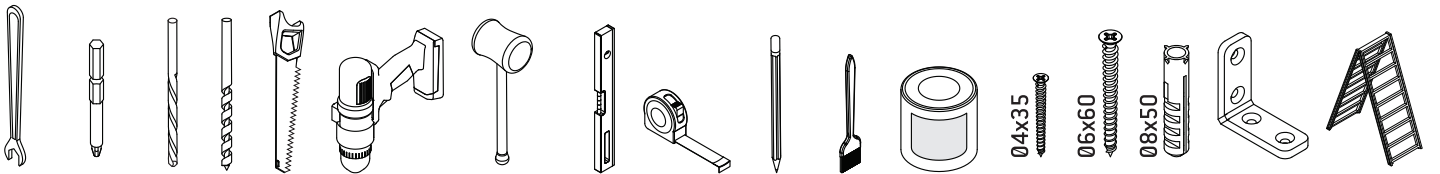
- Ⓡ COTTAGE PREMIUM DROIT 2 LIMONS+13 MARCHES
- ⓃL COTTAGE PREMIUM RECHT 2 WANGEN+13 TREDEN
- ⓖB COTTAGE PREMIUM STRAIGHT 2 STRINGS+13 STEPS
- ⓍE COTTAGE PREMIUM GERADE 2 WANGEN+13 STUFEN
- ⓍS COTTAGE PREMIUM RECTA 2 ZANCAS+13 PELDAÑOS
- ⓇO COTTAGE PREMIUM DREAPTA 2 LATERALE+13 TREPTE





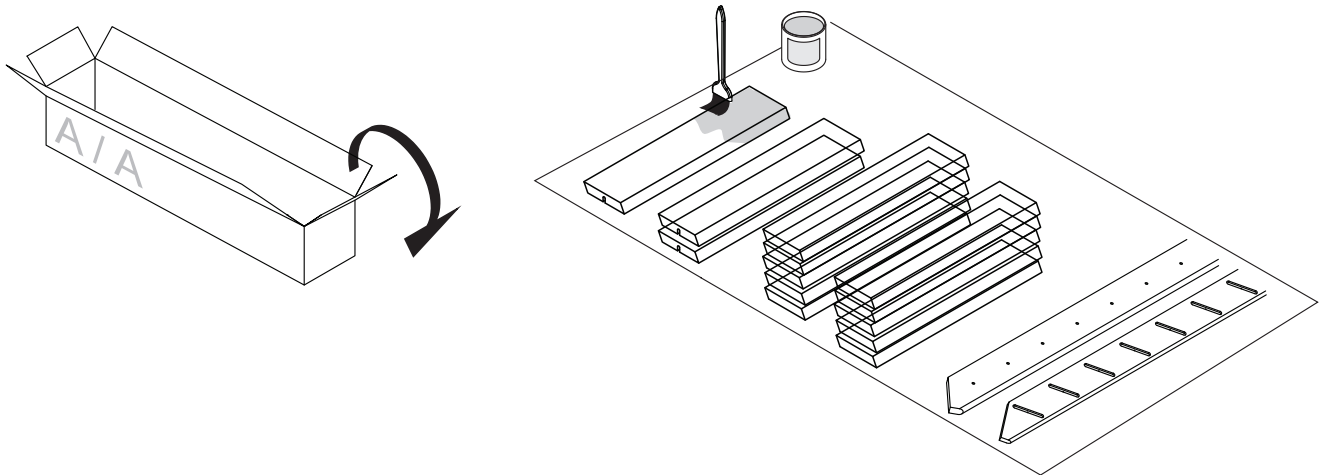
SOGEM *Group*

01 28x92x3108 x1	02 28x92x3108 x1	03 22x112x464 x3	04 22x112x464 x10	05 M6x515 x3	06 06x012x2 x6	07 M6x6 x6	08 05x50 x20	



10 Ph2/3 010 04
Pz2/3 08 012

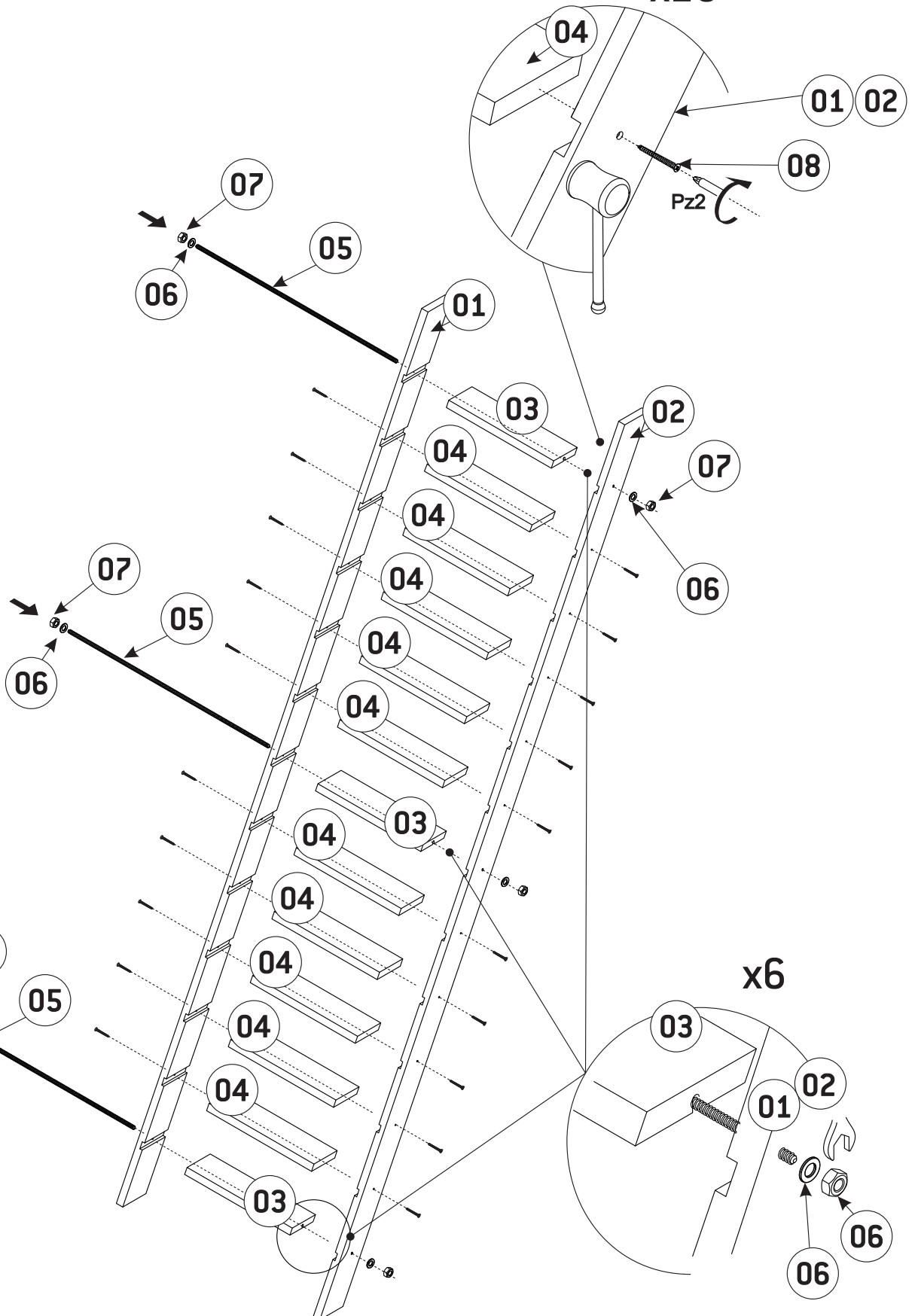
1





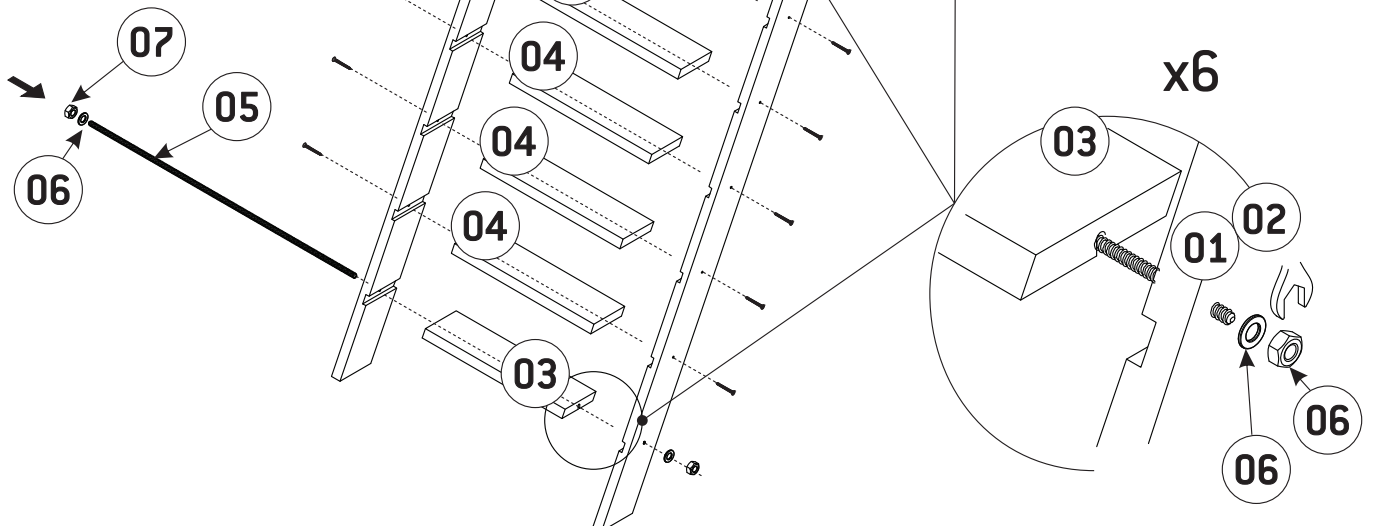
2

x20



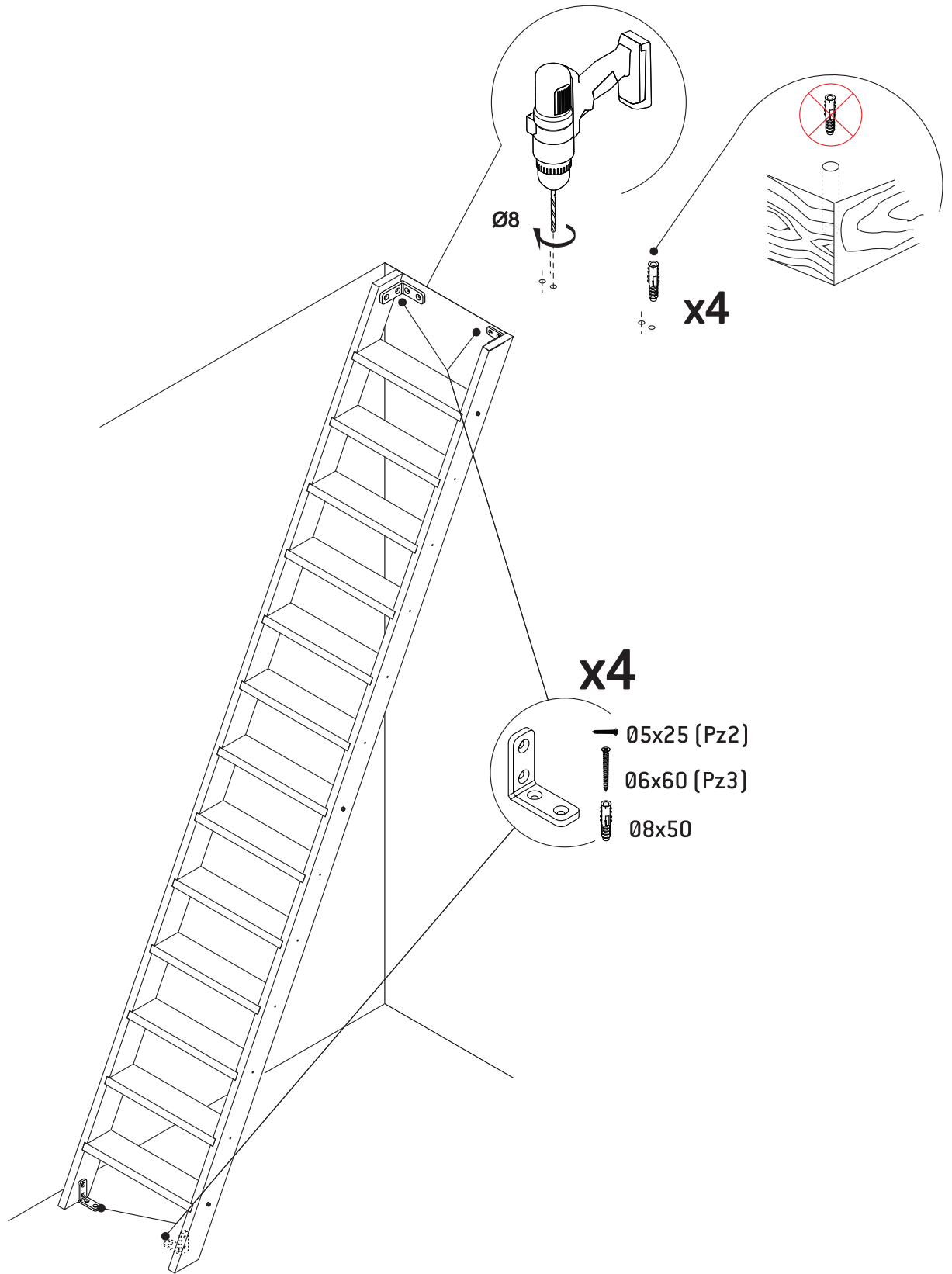
3

x6





5



RUE GRIMARD, 39 B-6061 MONTIGNIES-SUR-SAMBRE (CHARLEROI) - BELGIUM
TEL: +32/71/25.39.60 FAX: +32/71/25.39.72 E-MAIL: info@sogem-sa.com