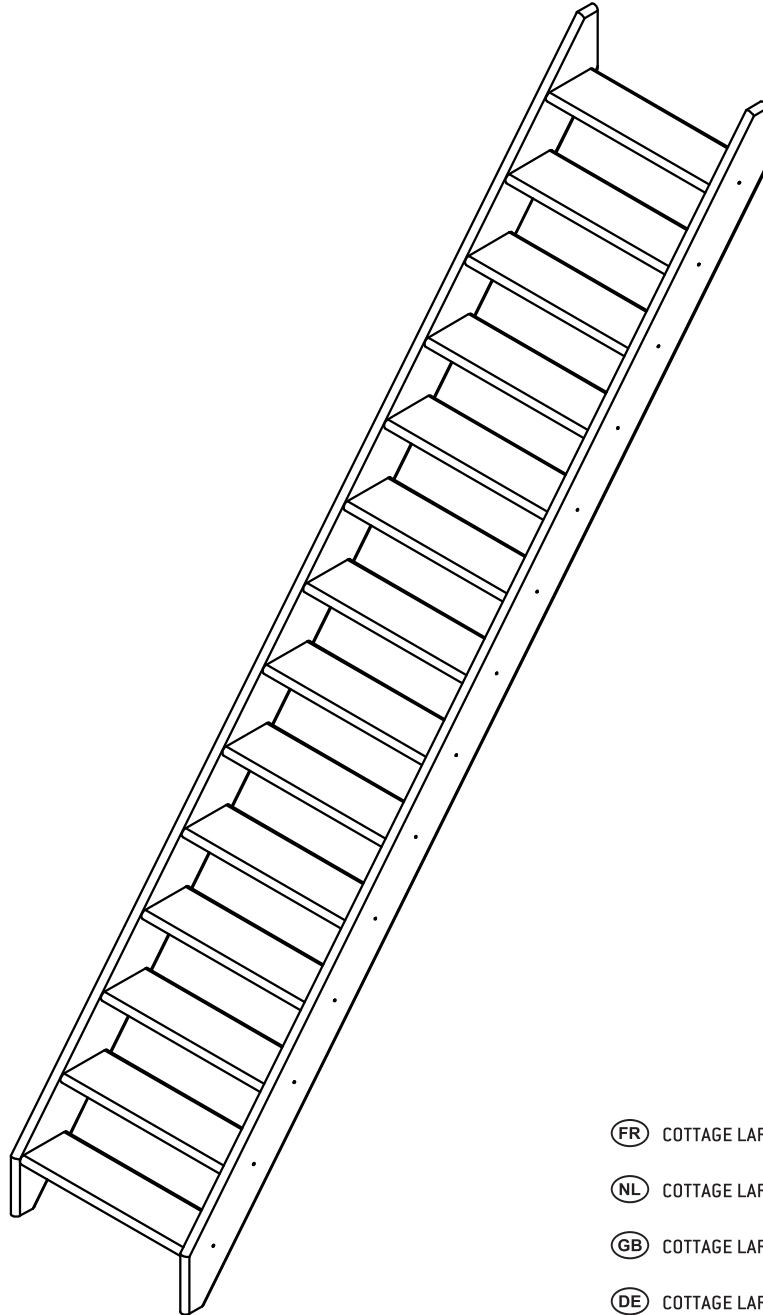
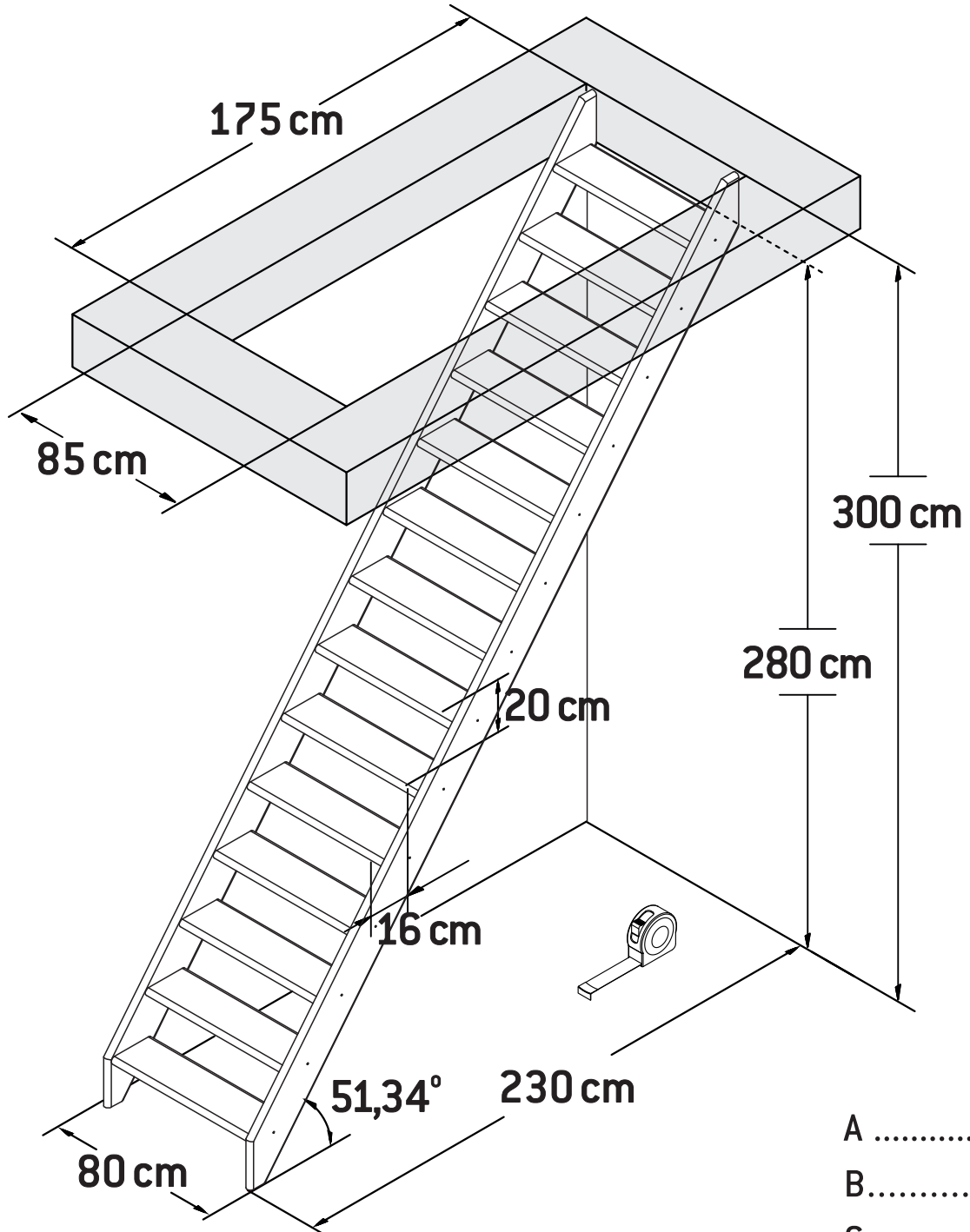




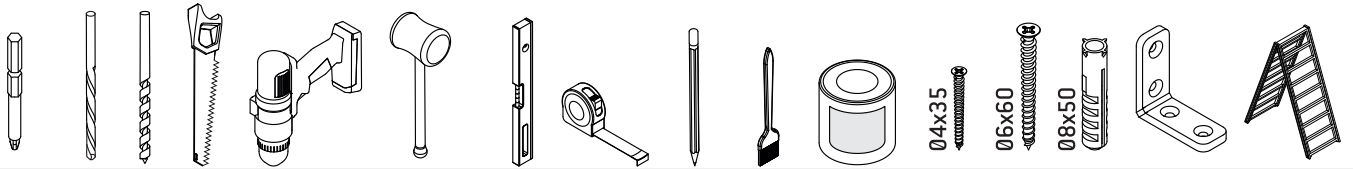
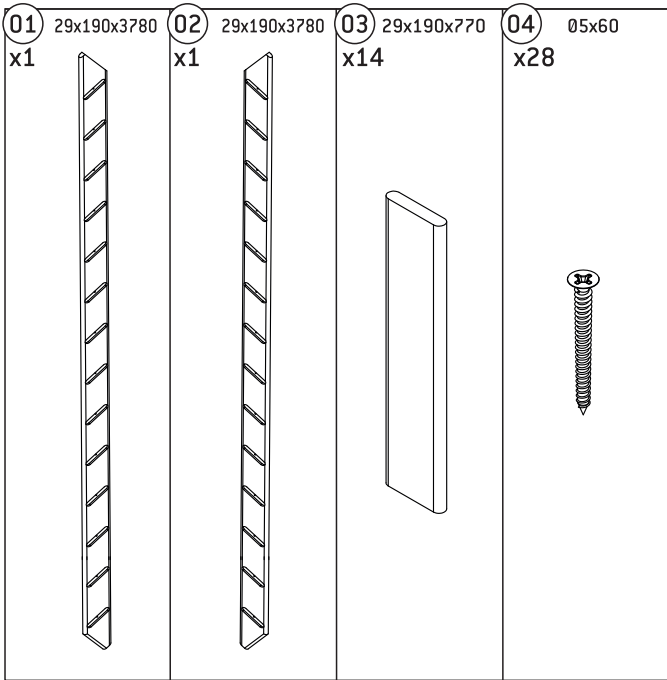
COTTAGE LARGE DROIT



- Ⓡ COTTAGE LARGE DROIT 2 LIMONS+14 MARCHES
- ⓃL COTTAGE LARGE RECHT 2 WANGEN+14 TREDEN
- ⓖB COTTAGE LARGE STRAIGHT 2 STRINGS+14 STEPS
- ⓃE COTTAGE LARGE GERADE 2 WANGEN+14 STUFEN
- ⓃS COTTAGE LARGE RECTA 2 ZANCAS+14 PELDAÑOS
- ⓇO COTTAGE LARGE DREAPTA 2 LATERALE+14 TREPTE

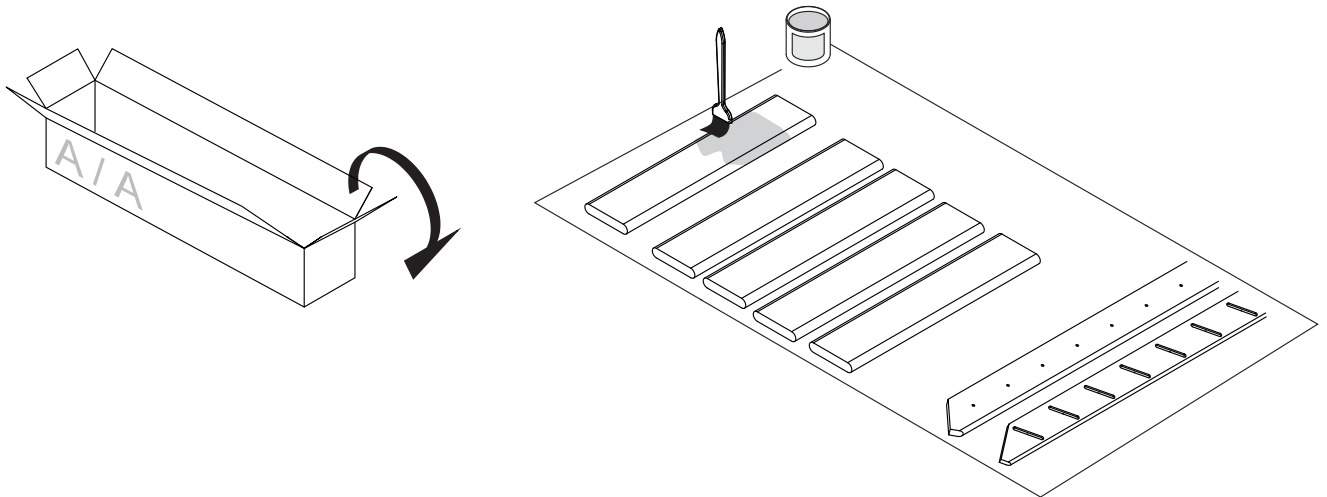


- Acm
- B.....cm
- Ccm
- Dcm
- Ecm
- Fcm



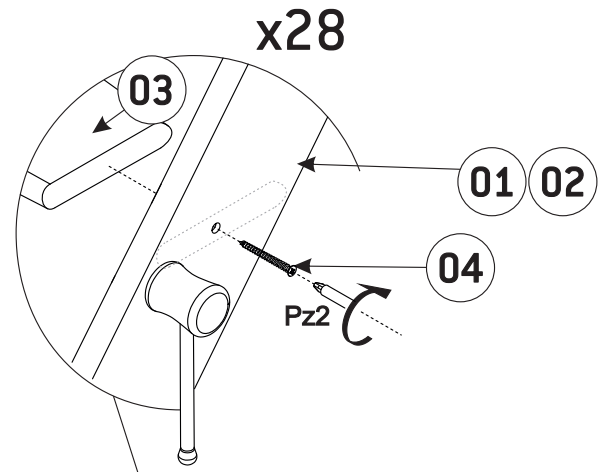
Ph2/3 010 04
Pz2/3 08 012

1

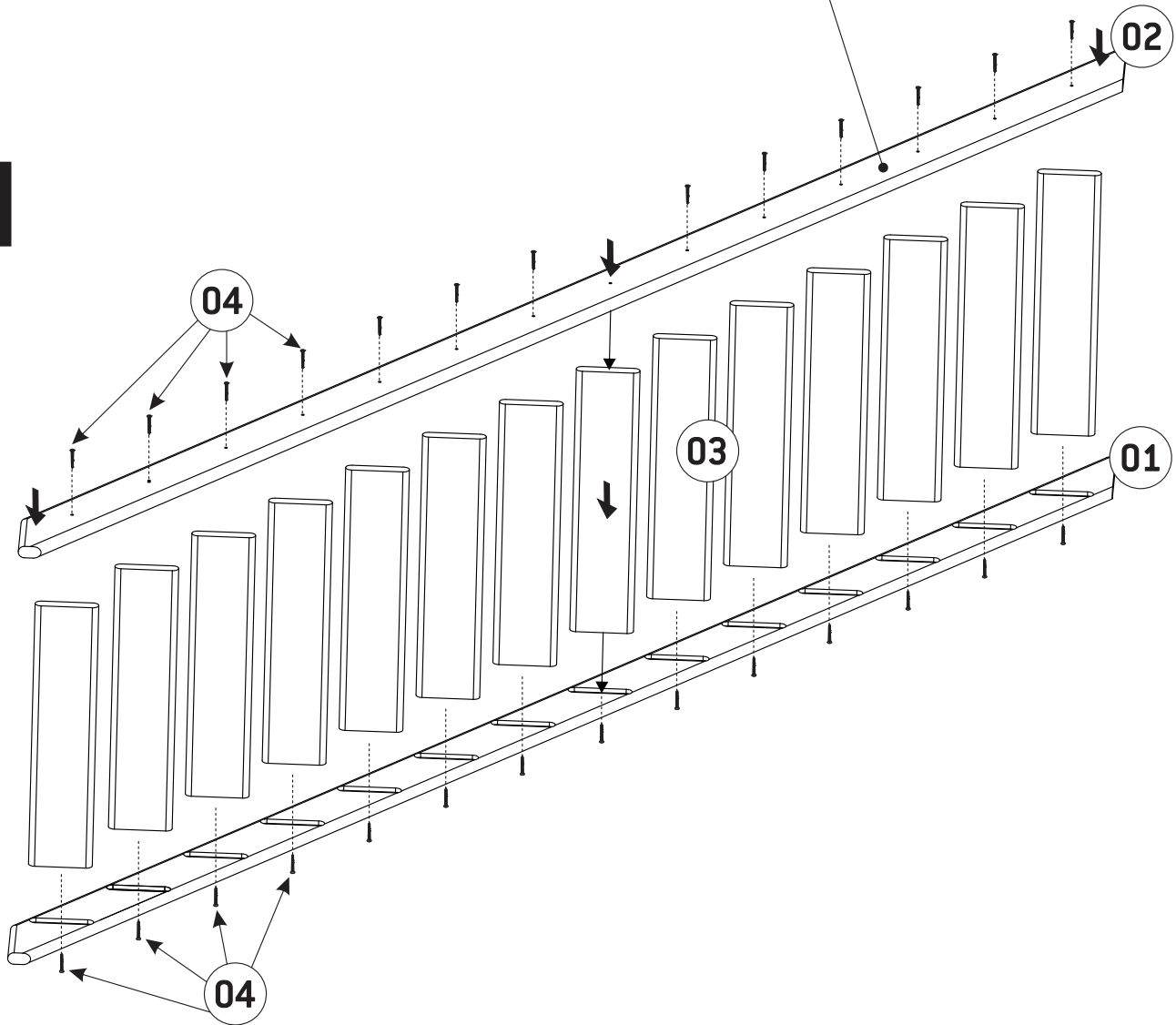




2



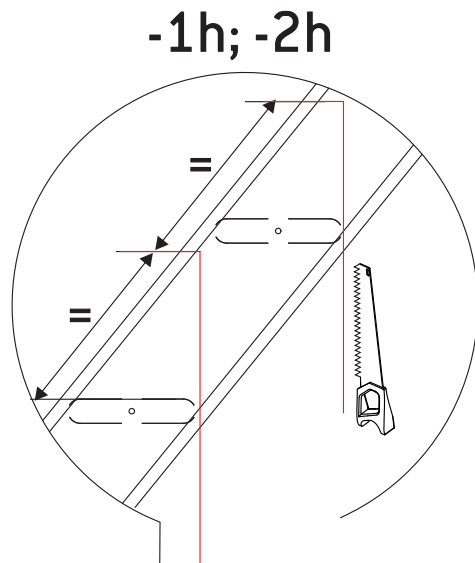
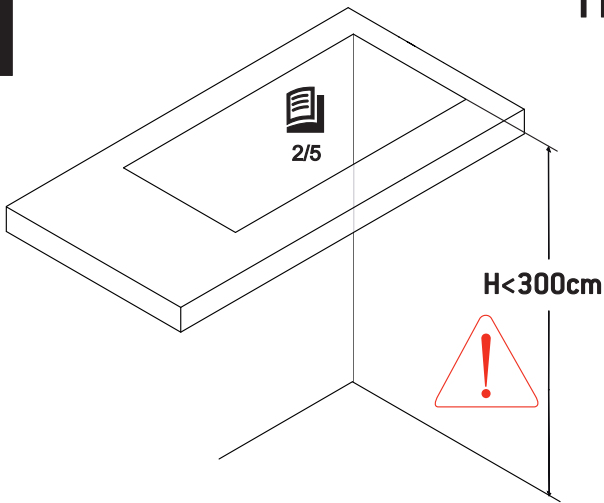
3



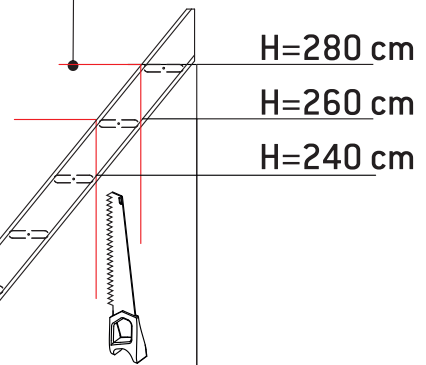
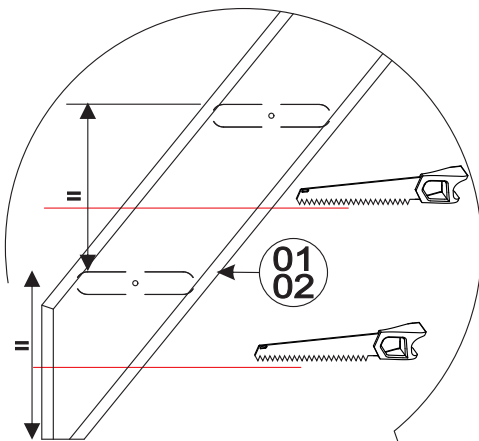


4

$H < 300 \text{ cm}$



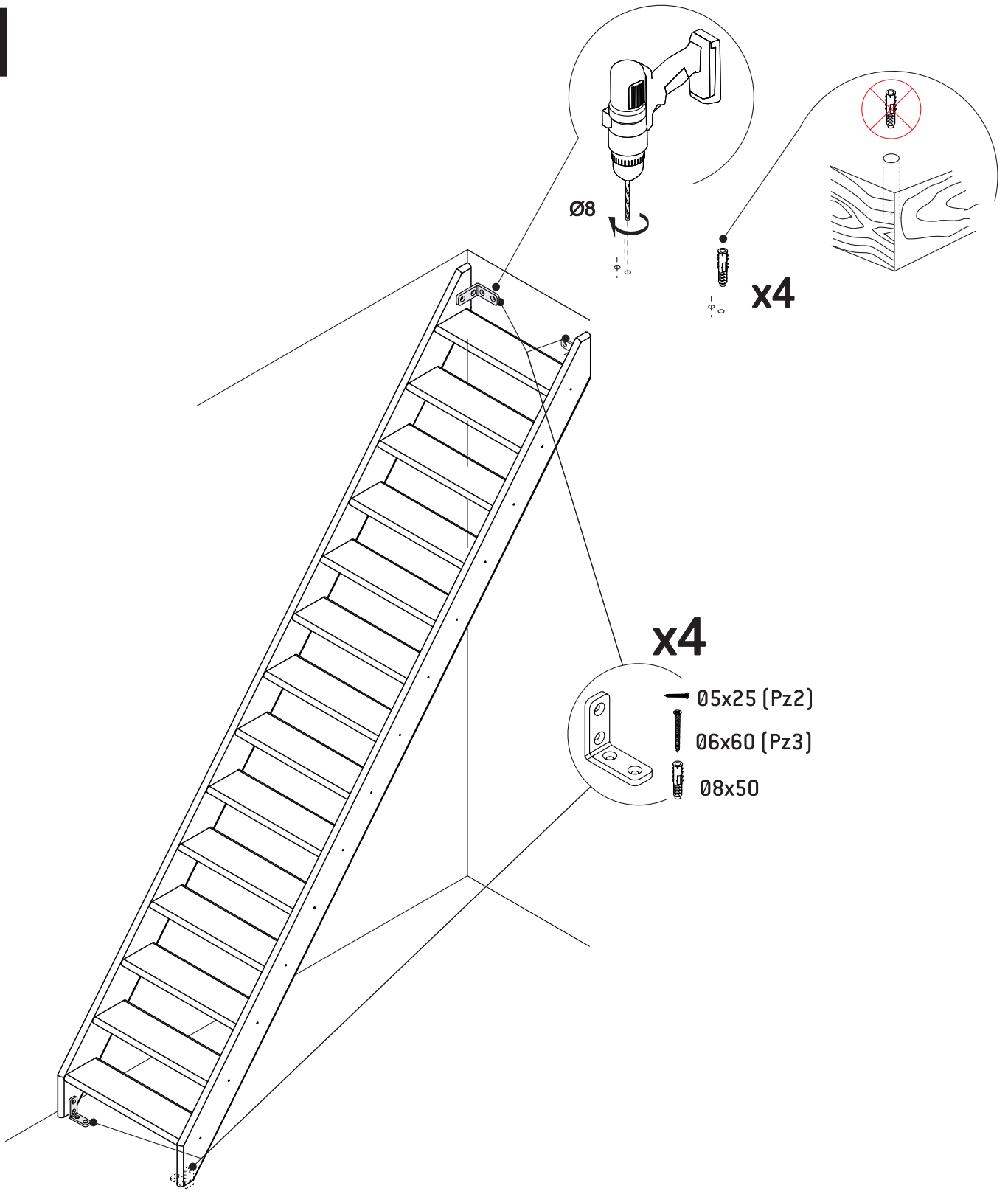
$-0,3h; -1,5h$



$H < 280 \text{ cm}$



5



RUE GRIMARD,39 B-6061 MONTIGNIES-SUR-SAMBRE(CHARLEROI)-BELGIUM
TEL: +32/71/25.39.60 FAX: +32/71/25.39.72 E-MAIL: info@sogem-sa.com