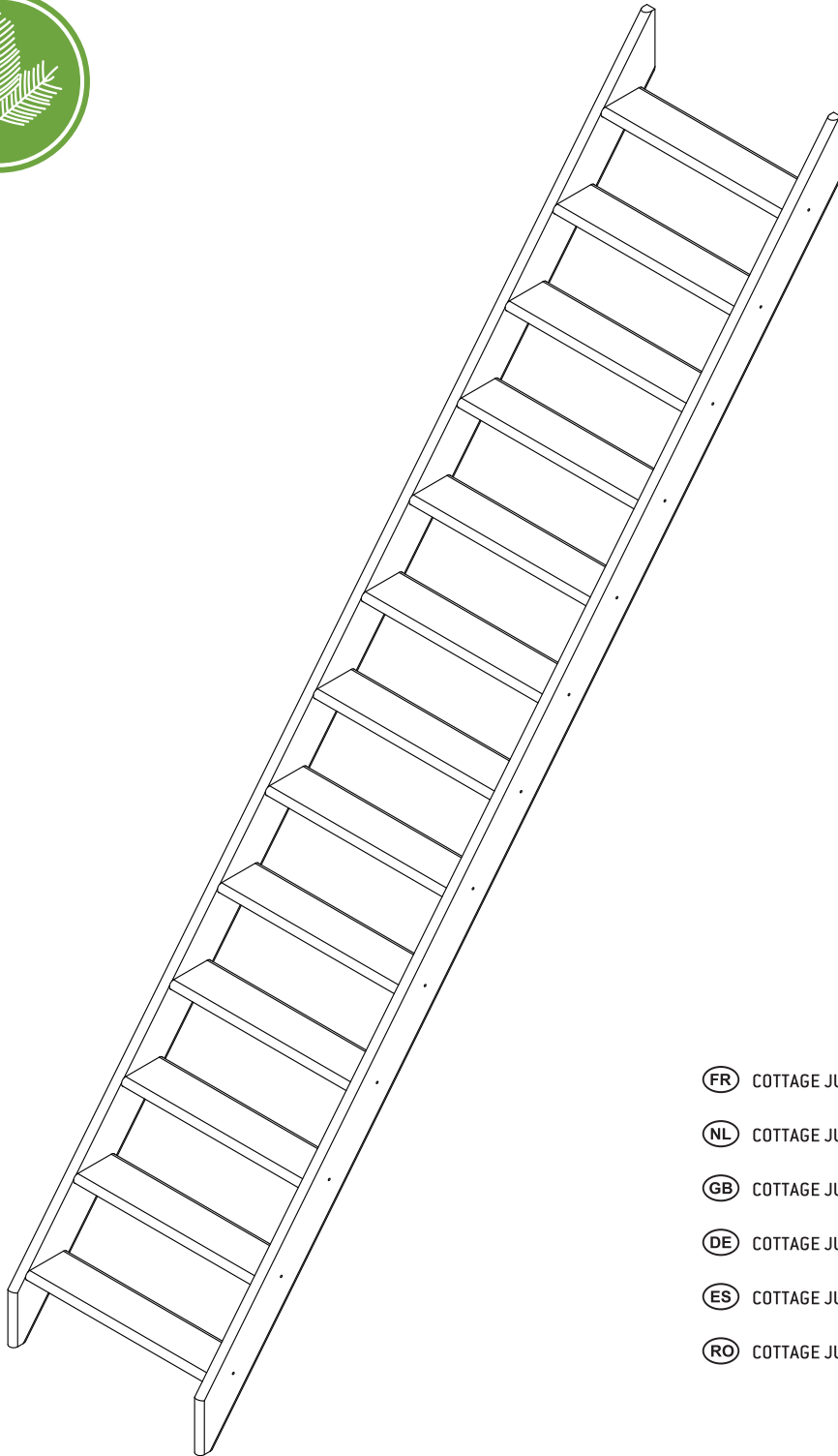
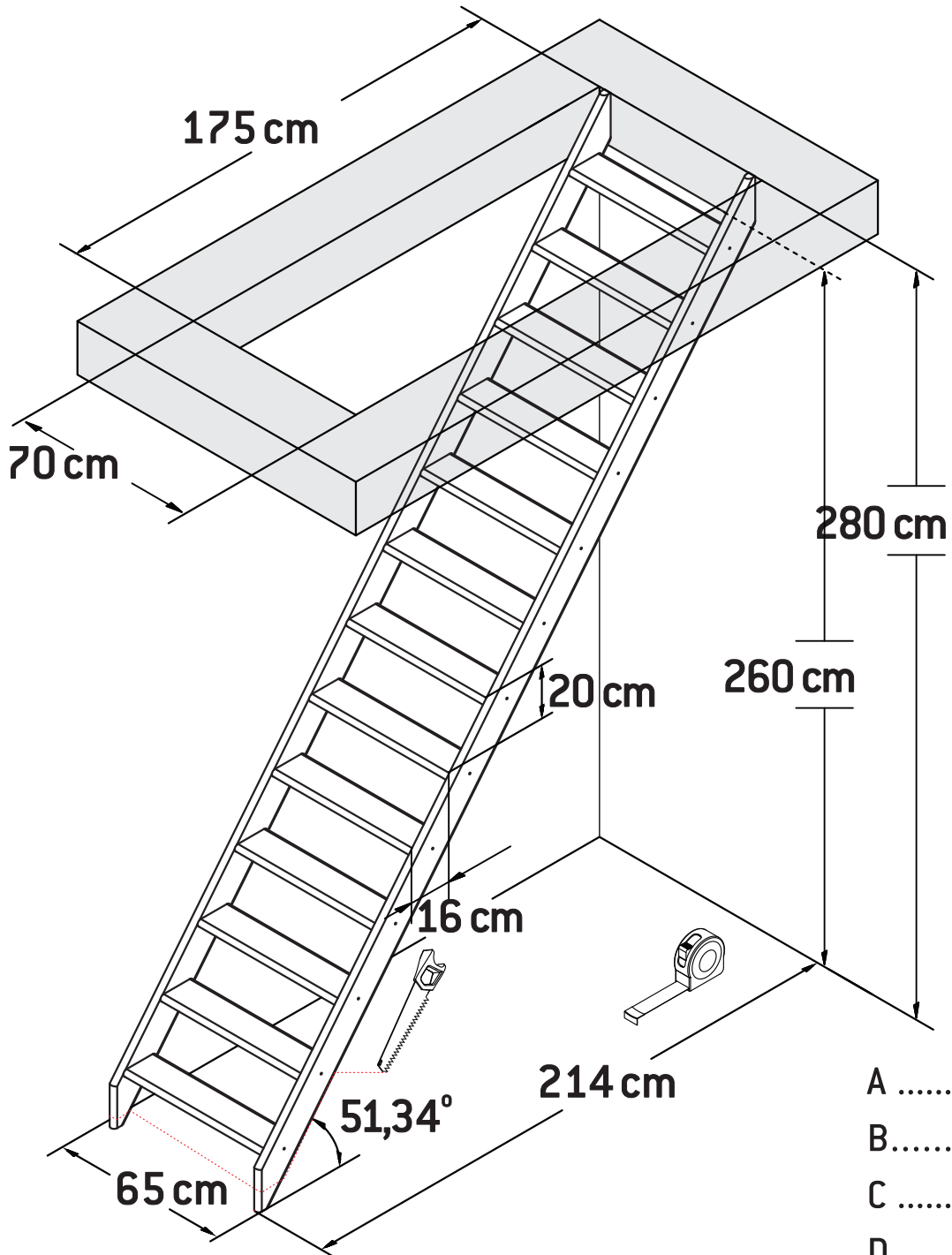




# COTTAGE JUNIOR



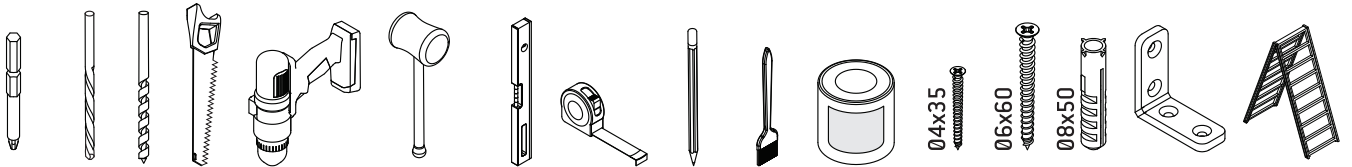
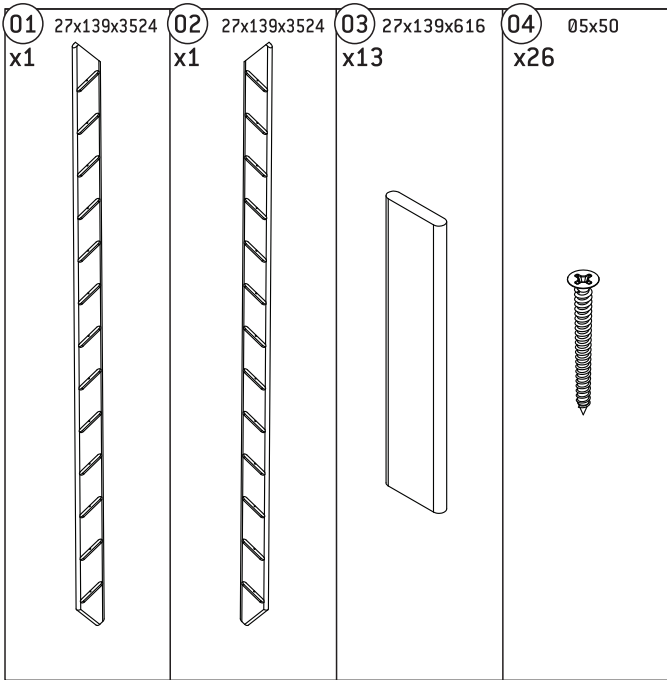
- Ⓡ COTTAGE JUNIOR DROIT 2 LIMONS+13 MARCHES
- ⓃL COTTAGE JUNIOR RECHT 2 WANGEN+13 TREDEN
- ⓖB COTTAGE JUNIOR STRAIGHT 2 STRINGS+13 STEPS
- ⓃE COTTAGE JUNIOR GERADE 2 WANGEN+13 STUFEN
- ⓃS COTTAGE JUNIOR RECTA 2 ZANCAS+13 PELDAÑOS
- ⓇO COTTAGE JUNIOR DREAPTA 2 LATERALE+13 TREPTE



- A .....cm
- B.....cm
- C .....cm
- D .....cm
- E .....cm
- F .....cm

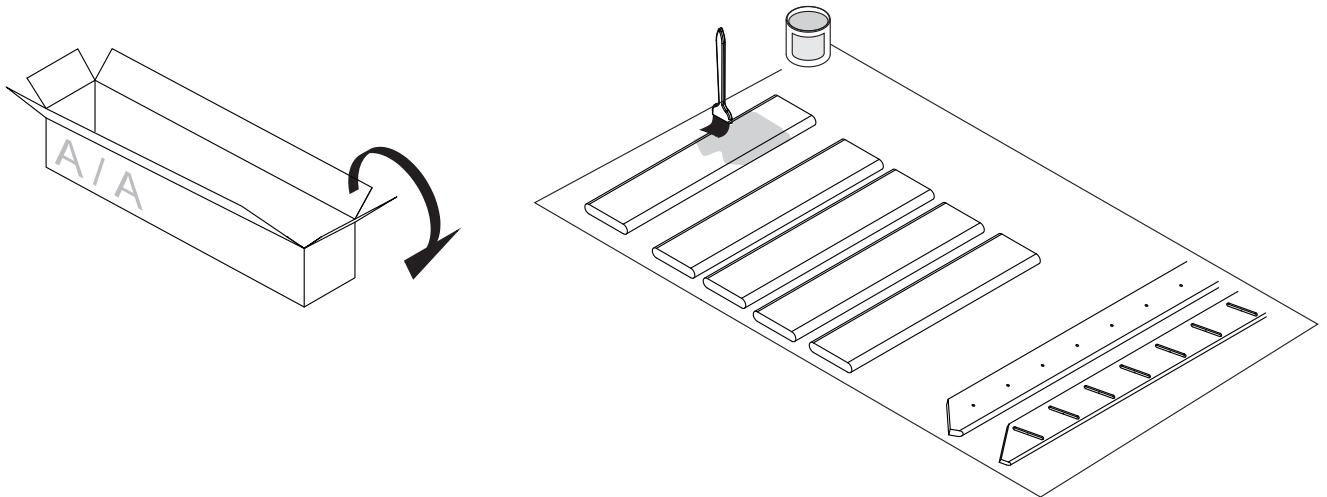


# SOGEM *Group*



Ph2/3 010 04  
Pz2/3 08 012

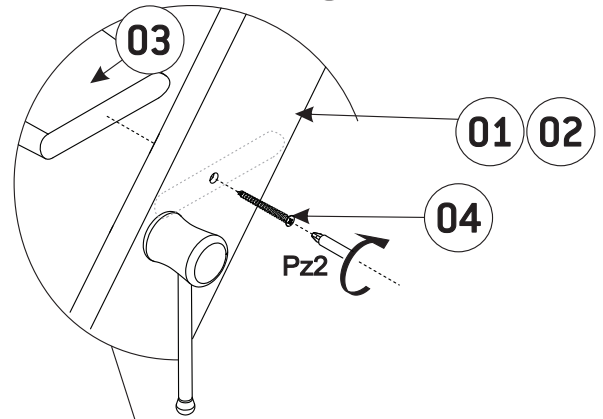
**1**



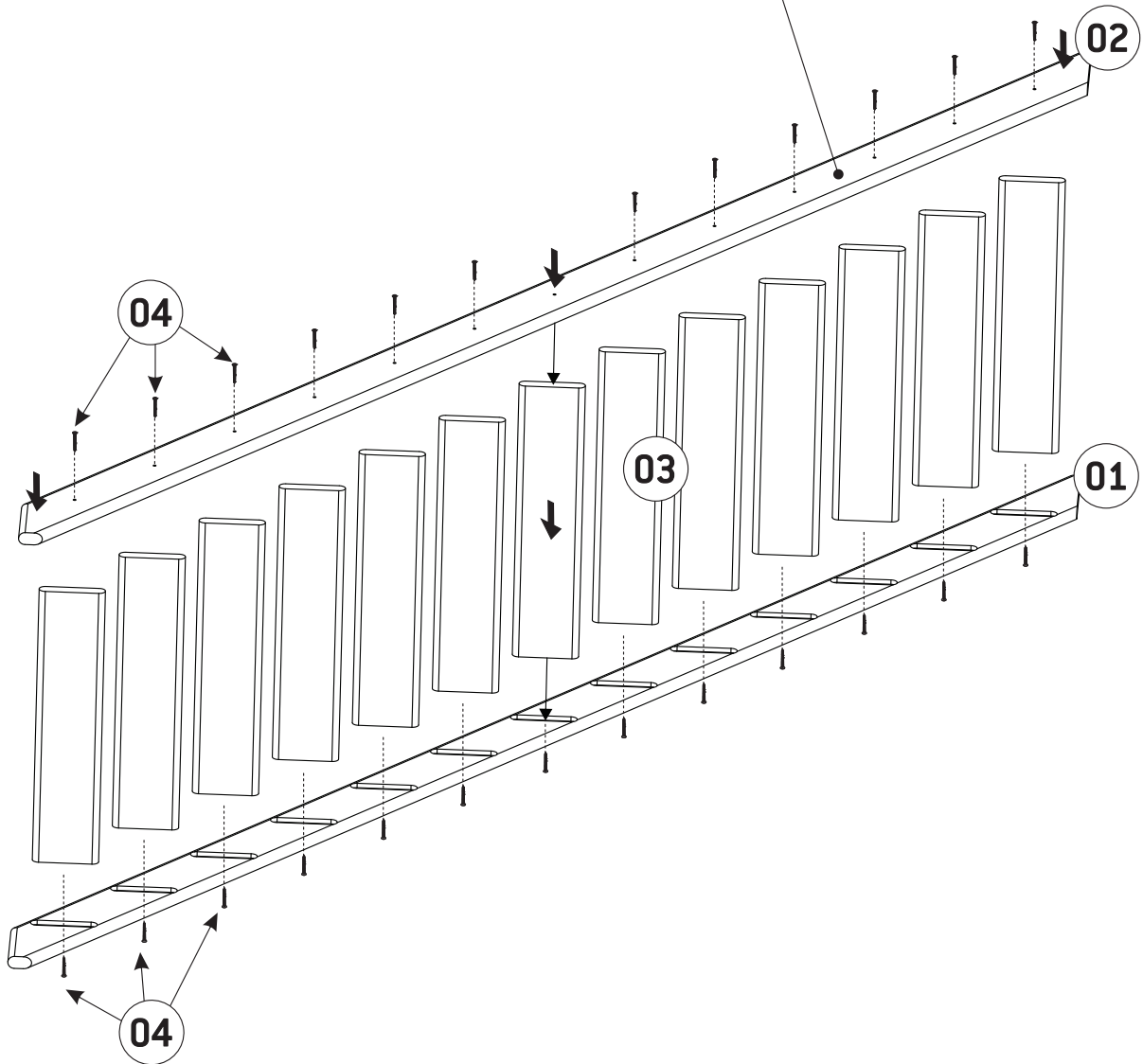


2

x26

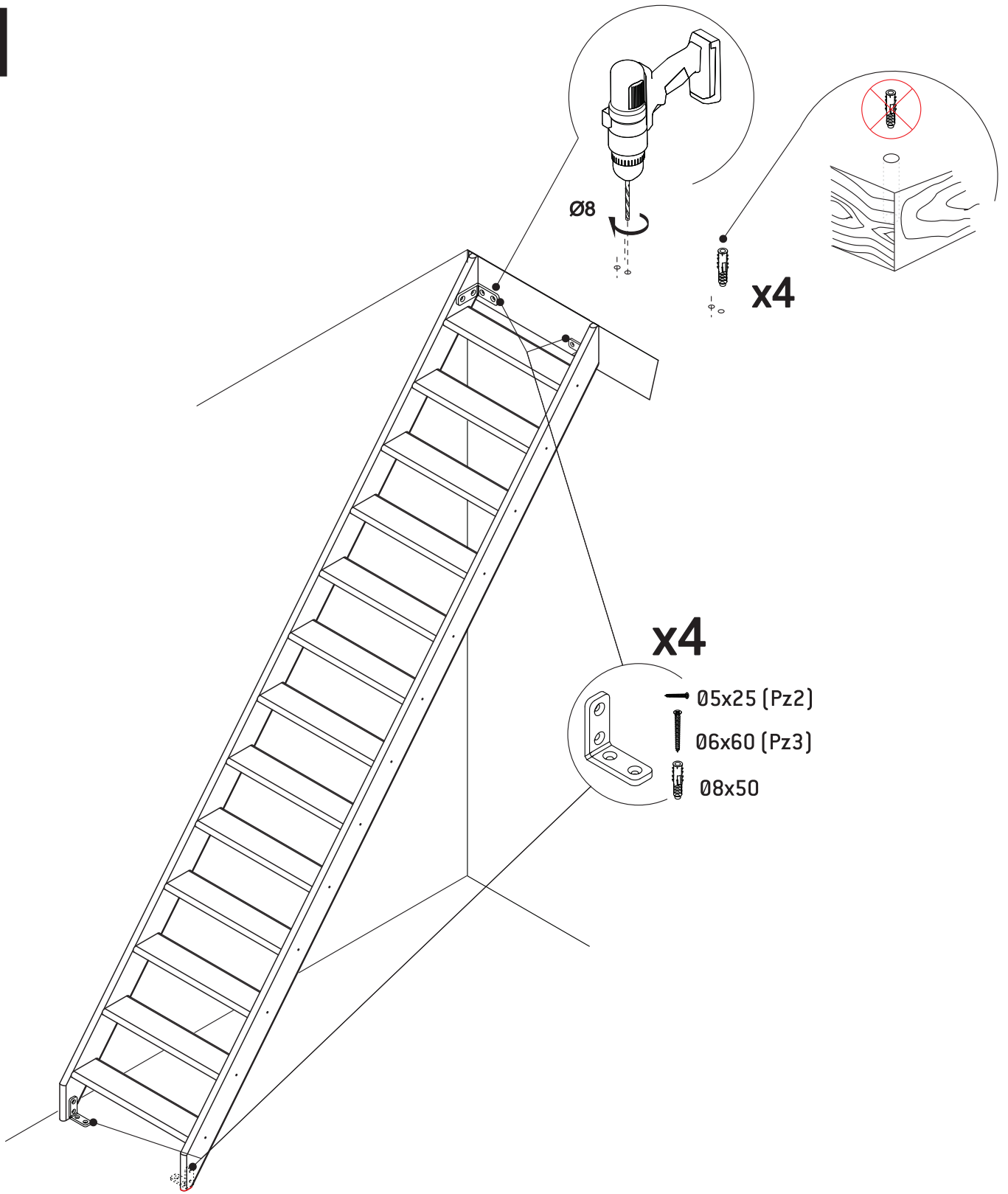


3





4



RUE GRIMARD,39 B-6061 MONTIGNIES-SUR-SAMBRE(CHARLEROI)-BELGIUM  
TEL: +32/71/25.39.60 FAX: +32/71/25.39.72 E-MAIL: info@sogem-sa.com